

Aqua Lava AS-1600-WH

Wall Hung Smart Bidet Toilet: by Aqua-Sigma™

USER AND INSTALLATION MANUAL



Wall Hung Smart Bidet Toilet

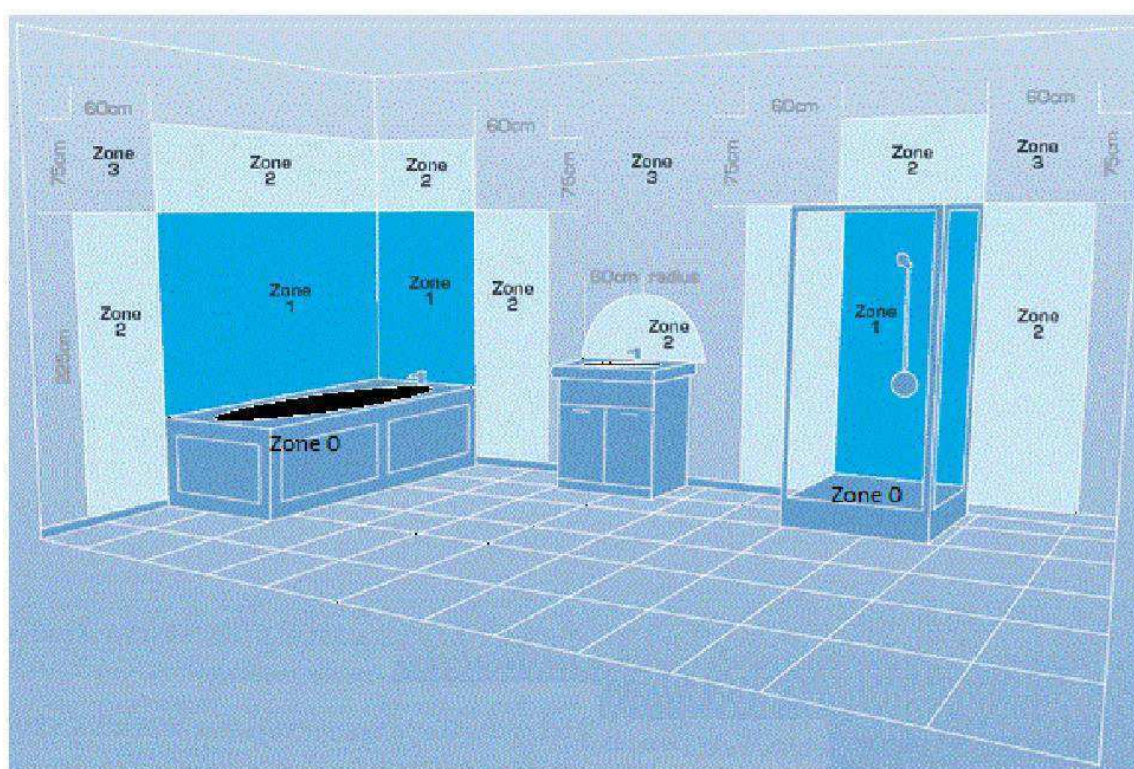
CONTENTS

SAFETY INFORMATION	3
UNIT MEASUREMENTS	4
PARTS LIST	6
PRODUCT OVERVIEW	7
BEFORE INSTALLATION	8
INSTALLATION	9
REMOTE CONTROL	15
OPERATION	16
CLEANING AND MAINTENANCE	21
REPLACING THE FILTER	22
DRAINING THE WATER TANK	23
TROUBLESHOOTING	24
SUPPORT	25
TECHNICAL SPECIFICATIONS	26

SAFETY INFORMATION

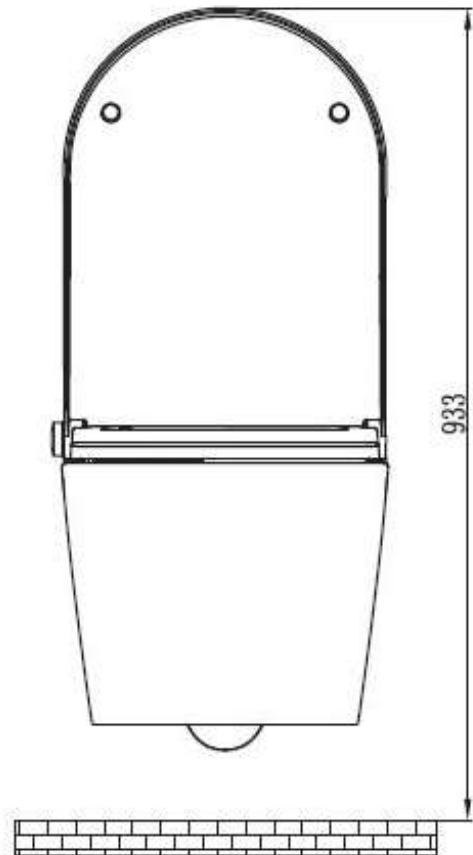
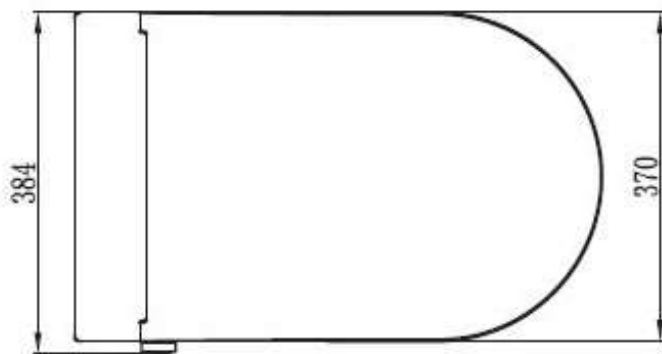
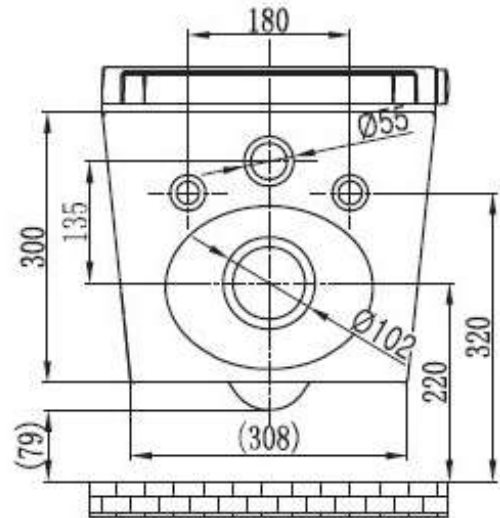
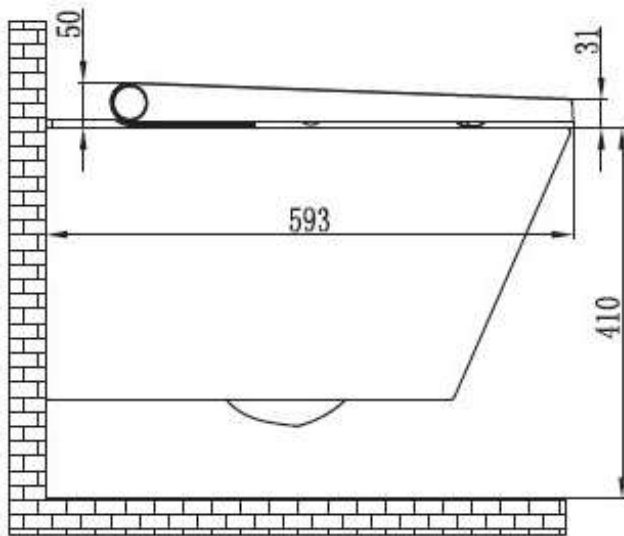
- This manual must be read and fully understood before installing or using the appliance.
- This product must not be operated without a connected water supply.
- Installation must be in accordance with all relevant local regulations applicable at the time of installation.
- It must be installed by a qualified professional to in accordance with BS 7671.
- If electrical work is carried out within the bathroom which involves addition or alteration of existing circuits, it may be notifiable to your local building control department (Part P). If unsure, professional advice should be sought.
- The toilet must be fitted in accordance with the Water Supply (Water Fittings) Regulations and Water Supply (Water Fittings) (Scotland) Byelaws.
- If the power cable is damaged in any way, the power must be immediately disconnected until the part is replaced. Contact the retailer or manufacturer.
- The toilet must be fitted in a well-ventilated bathroom.
- The toilet must not be sprayed with liquid, or placed in a position it is likely to be sprayed.
- The toilet must not be installed in a location where it may be subject to high temperatures.
- The toilet must be stored in an upright position before installation.
- Do not over bend or kink the water supply hose as this could cause leaks
- Only use this product for its intended use. Only use attachments recommended by the manufacturer.
- Do not use this product in an outdoor environment.
- Children and people with limited physical, sensory or capabilities must be supervised when using this device or have been told the proper procedure for use beforehand.
- Do not climb or stand on the toilet.
- If the product is not working properly, disconnect from the mains and close the water supply valve immediately before contacting the supplier or a qualified professional.
- This is a Class I electrical appliance and must be correctly earthed. Make sure the earth cable is connected first during the electrical connection.
- In case of any damage to the supply cable, you must arrange for a certified and qualified electrician to replace the cable for you.
- This appliance is designed for fixed connection to the power supply. Connecting this appliance to the power supply must be performed by a qualified and authorised electrician.
- Incorrect repairs are dangerous. Repairs must only be carried out by trained and qualified engineers.

- The Supplier and Manufacturer are not responsible for any injury and/or damage caused by incorrect installation, maintenance or operation of the product.
- Do not force the soft close toilet seat down as this may damage the mechanism.
- A defective appliance may cause electric shock. Never switch on a defective appliance. The power must be disconnected before seeking assistance.
- This product is IPX4 rated, and so no part of the installation is allowed to be within bathroom Zones 0 or 1. Installation is permitted within Zone 2 and outside of the bathroom zones as long as it is not in a position where it is likely to be sprayed with water.



Zone 0:	The interior of the bathtub or shower basin.
Zone 1:	The area around the bathtub or shower basin up to a height of 2.25m above the floor
Zone 2:	The area stretching to 0.6m outside the bath or shower and above the bath or shower if over 2.25m

INSTALLATION DIAGRAMS



PARTS LIST



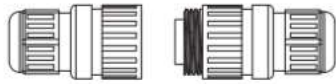
Toilet



Remote
(Batteries Not Included)



Remote Control
Holder



Electrical Cable Coupler



G3/8" - 1/2"
Flexi Hose



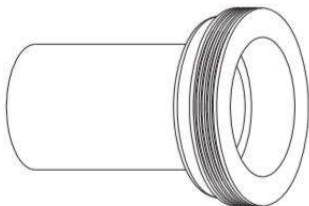
Stop Valve



Filter



Flush Pipe and Seal



Waste Pipe and Seal



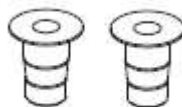
Wall Fixing Rods



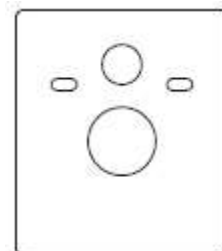
Wall Fixing Nuts



Wall Fixing Washers

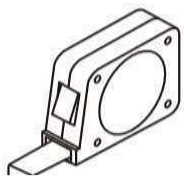


Side Fixing Bolt Sleeve



Wall Cushion

TOOLS REQUIRED



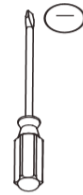
Tape Measure



Pencil



Phillips Screwdriver



Flat Head Screwdriver



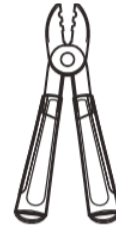
Knife



File



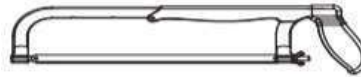
Adjustable Wrench



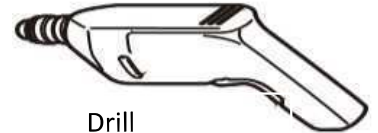
Wire Strippers



12mm Drill bit



Hacksaw

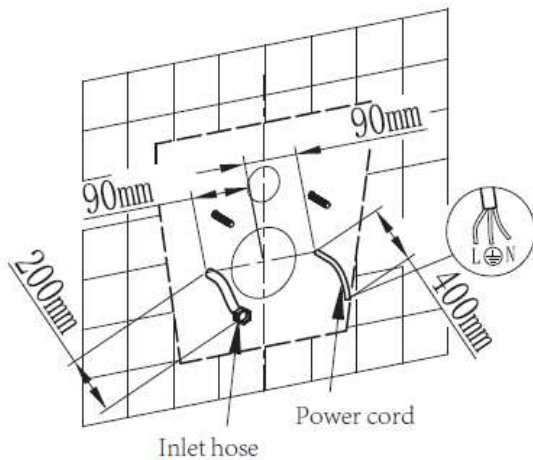


Drill

PRODUCT OVERVIEW



BEFORE INSTALLATION



Recommended installation area.

IMPORTANT !

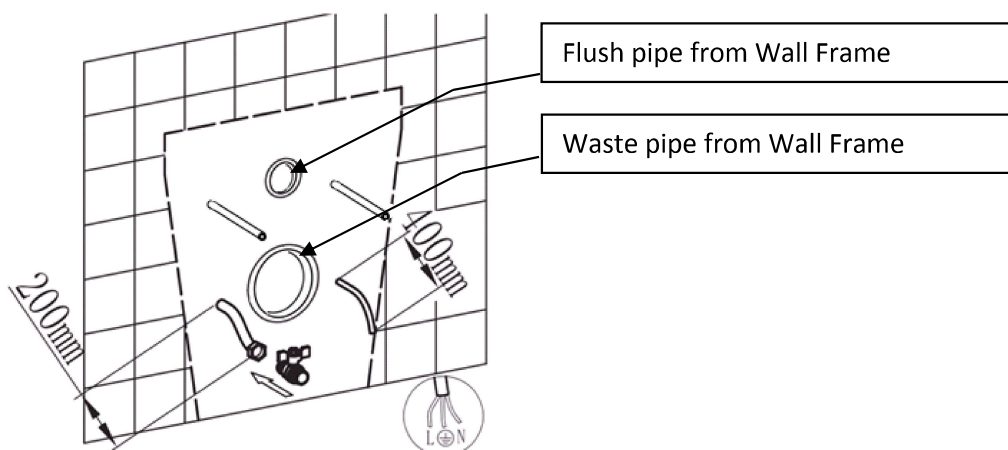
Before commencing installation the water and electrical supplies should be turned OFF.

Please note with your floor mounted back to wall toilet, a Flush Pipe and Waste Pipe are supplied, these may not be required as it will be dependant on the cistern to which the toilet is being connected and the position of the soil stack.

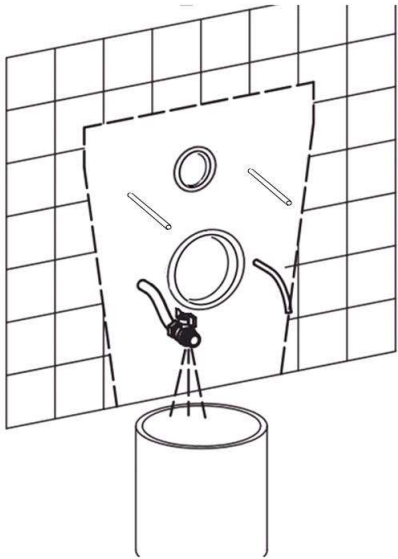
Before attempting installation, ensure that you are in possession of all the required tools and fittings to ensure successful installation.

Prepare the wall with the wall frame fitted, tiled/finished with access holes prepared for the flush pipe and waste pipe..

Prepare the water supply pipe with a 1/2" female connector and electrical 3 core cable (which should be connected to a 13 amp fuse spur or isolation switch outside the bathroom) as per below, allowing for 200mm of water supply pipe and 400mm of electrical cable to extend beyond the surface against which the toilet will sit, to allow connection to the toilet unit.



INSTALLATION INSTRUCTIONS

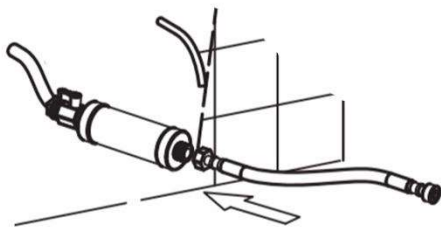
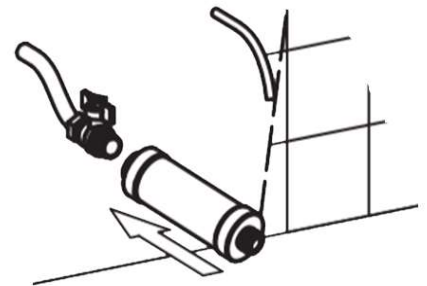


Connect the stop valve to the pipe end, ensuring to fit an adequate seal and tighten using a spanner.

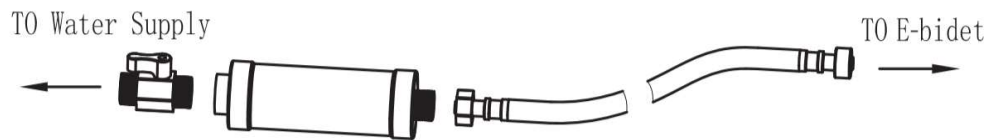
Once connected and fully tightened, place a bucket under the stop valve, open the stop valve and flush the pipe for at least 10 seconds to remove any debris in the system.

Once flushed through, turn the stop valve to the closed position.

Connect the 1/2" female threaded end of the Filter to the Stop Valve, ensuring to fit the seal provided and tighten.

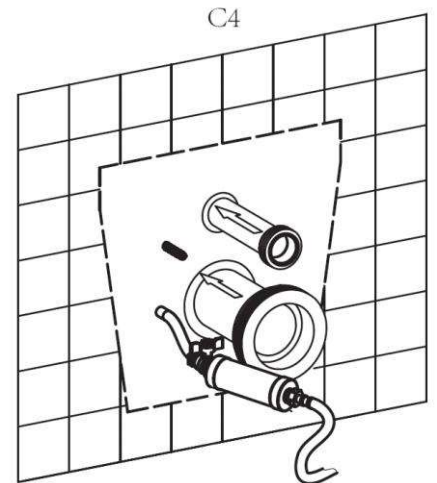
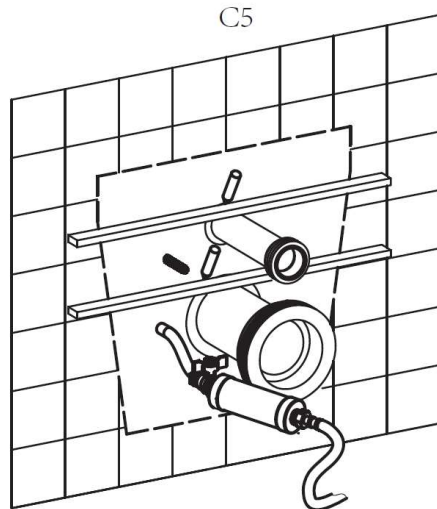


Connect the 3/8" - 1/2" Flexi Pipe to the Filter, ensuring to fit the seal provided and tighten using a spanner, do not over tighten as this could crack the plastic body of the Filter.



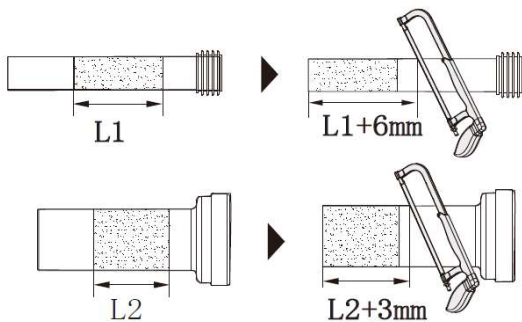
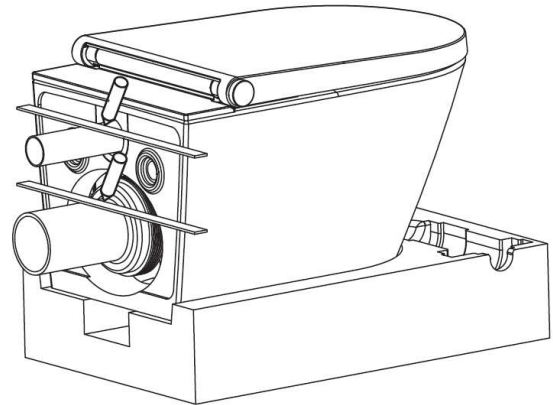
Push the flush pipe and waste pipe supplied into the wall frame, ensuring these are level and aligned.

Using a ruler draw a line on the flush and waste pipe, where it meets the wall surface.



Remove the pipes from the wall and push them fully onto and into the back of the toilet pan, using a ruler mark a line level with the back of the pan.

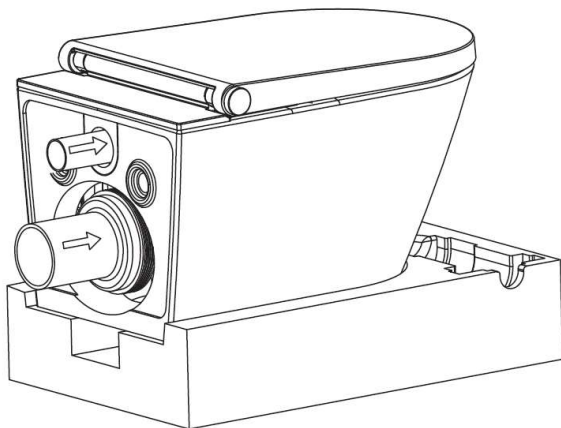
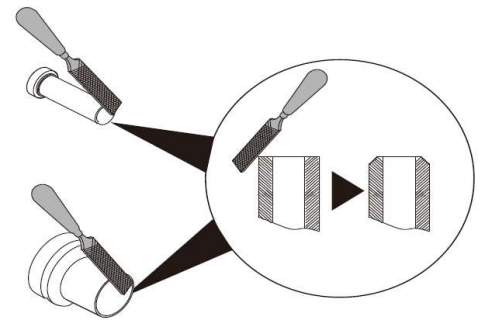
Remove the flush pipe and measure and measure the distance between the two marks, this will be dimension L1.



From the end of the flush pipe measure dimension L1 and then add 6mm, cut at this point, as shown below.

Carry out the same process for the waste pipe, but only add 3mm and cut at this point as shown below.

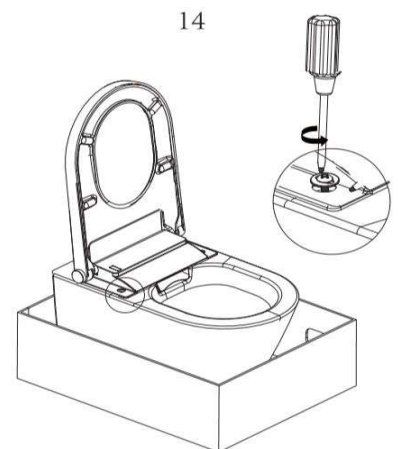
Once cut, using a file, smooth off the pipes internally and create a chamfer on the external edge as shown below.

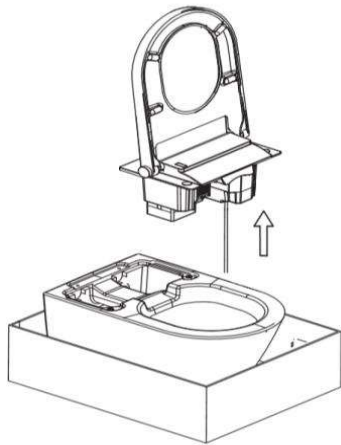


After cutting and filing, insert the pipes into the back of the toilet and ensure these are fully attached.

Remove the screws on the seat, using a cross head screwdriver, ensuring not to lose the screws once removed.

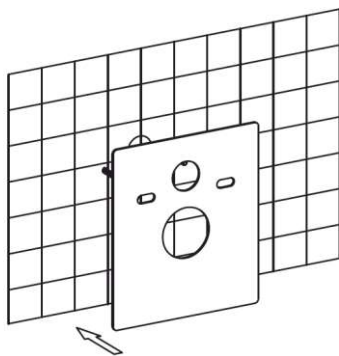
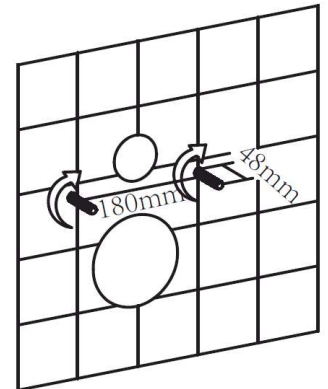
Two people may be required for the next part of the installation.





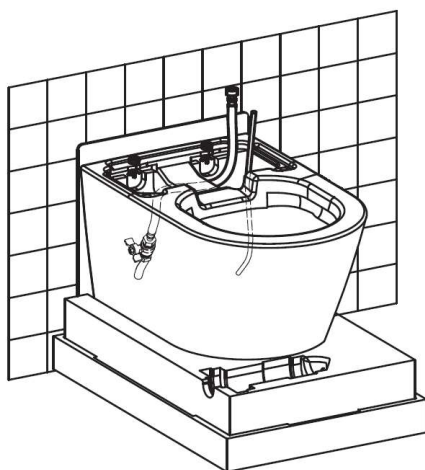
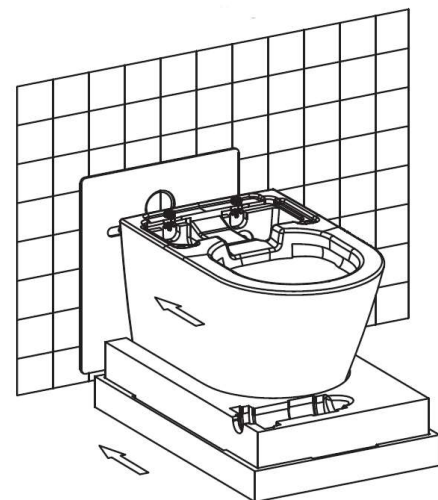
Pull the seat from the toilet pan (do not turn this upside down).

The threaded bolts should be attached to the frame and screwed inwards until 48mm of thread is left exposed, as shown below.

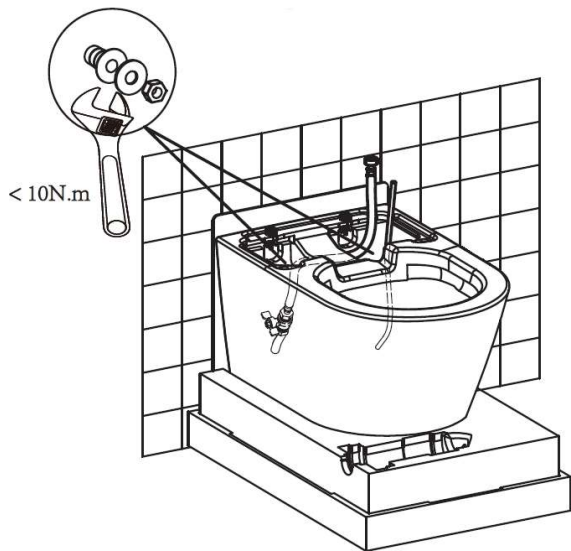


Place the toilet cushion against the wall over the threaded bolts and pipe holes

Push the toilet base into position against the wall, ensuring that the waste and flush pipes to the rear engage to create a full seal and the holes in the back of the pan sit over the threaded bolts on the frame.



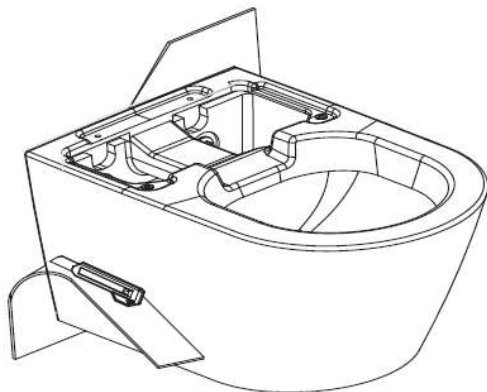
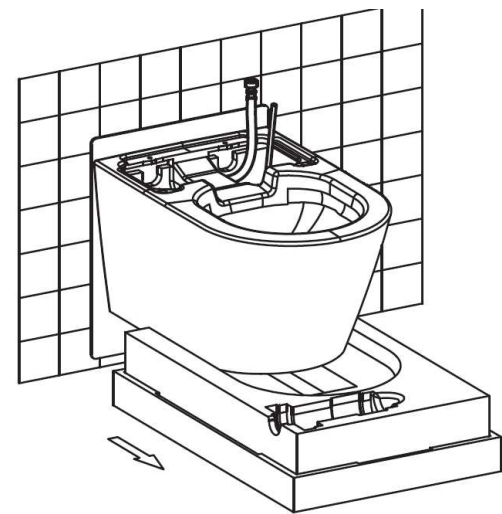
Pull through the flexi pipe and cable, to allow connection to be made with the seat unit.



Push the threaded bolt sleeves over the threaded bolts and into the hole in the pan to prevent the metal of the bolt damaged the ceramic, during use.

Place the washer onto the threaded bolt, then fit the nut and tighten until the pan is secure.

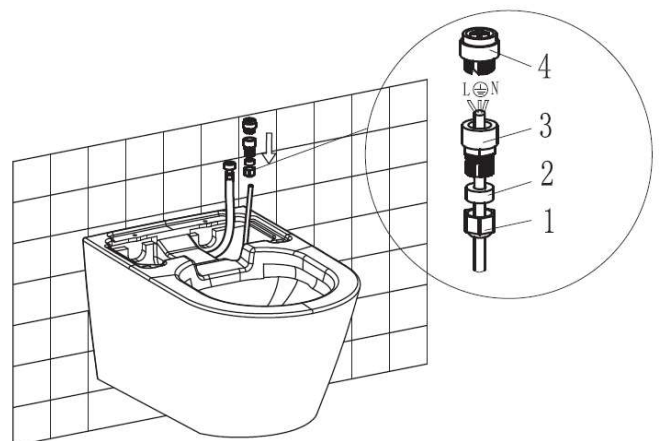
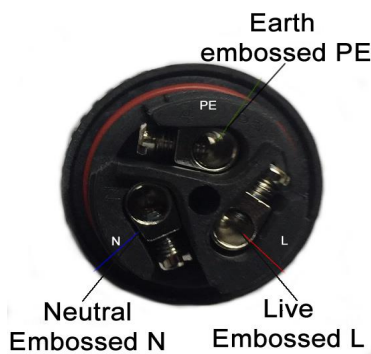
Slide out the support box from underneath the toilet pan, only when the pan is secured.



Trim the cushion which is exposed around the edge of the toilet pan, using a sharp knife.

Strip the end of the household cable to expose the wires for connection to the coupler.

When stripped, tidy the ends and connect to the coupler as shown, ensuring the screws are tightened and the wire ends are fully secured.





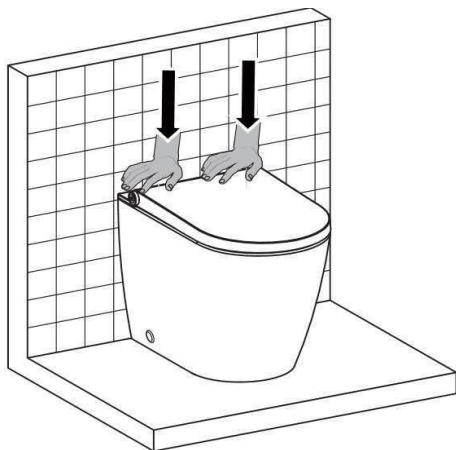
Connect the end of the water supply flexi pipe to the tank inlet on the underside of the toilet lid, this will require a firm push to connect the flexi to the inlet.

Once fully inserted and secure, tighten the nut.

Before replacing the seat, turn on the water supply, the stop valve and the electrical supply.

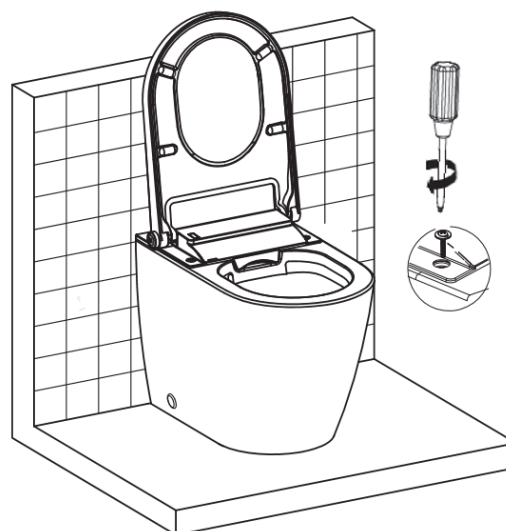
After turning on the water and electrical supplies you **MUST** carry out the RCD test, instructions as detailed in the RCD manufacturers instructions. A leak check must also be conducted on all water connections.

When checks are satisfactorily completed the lid assembly can be re-fitted to the pan, feed the flexi pipe and cables carefully under the pan. While doing this be careful not to trap or kink the pipe or cable.



Locate the seat onto the pan and push down at the rear (not in the middle), as this could crack the seat.

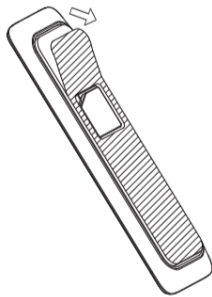
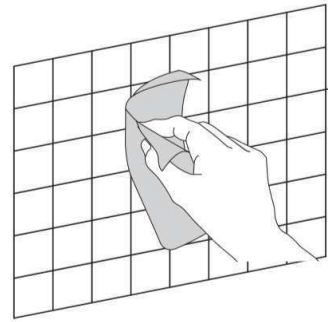
When the seat is located, re-fit the seat screws and tighten until secure, then fit the cover caps.



INSTALLATION OF THE REMOTE HOLDER

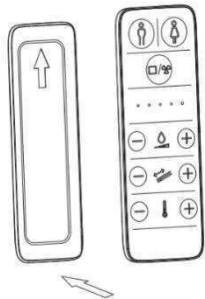
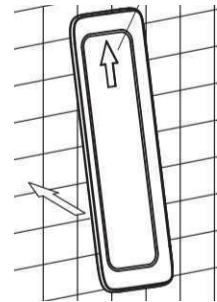
Clean the wall surface in the area in which the remote control holder will be located

Dry fully before attempting the installation



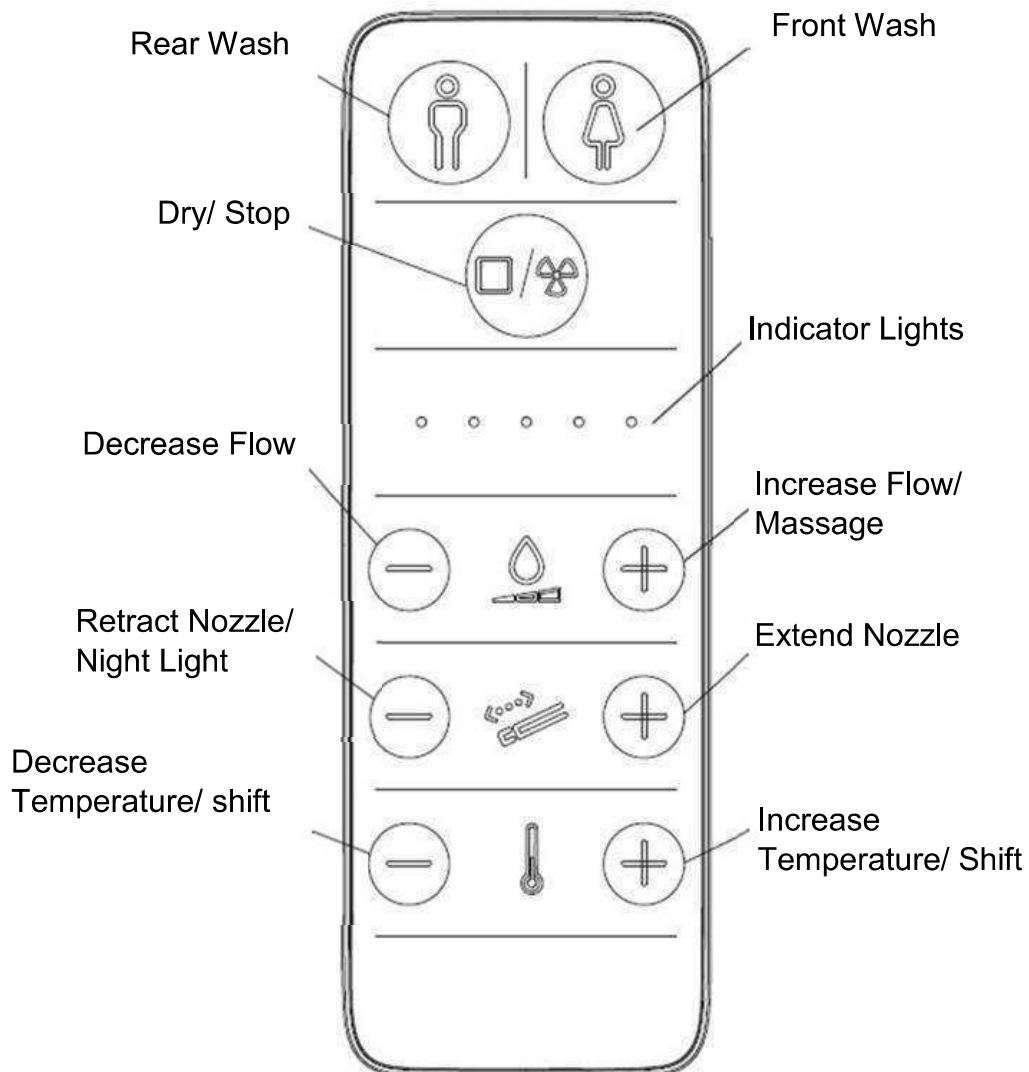
From the rear of the holder, peel off the adhesive strip cover.

Place the holder with the adhesive side to the wall, ensuring this is level, press to the wall firmly and hold for a couple of seconds.



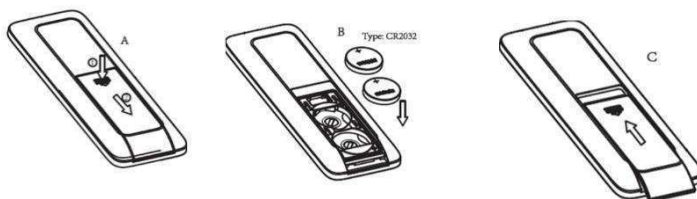
Once located and secure, place the remote control against the holder. The magnet within the holder will retain the remote in position.

REMOTE CONTROL



FITTING / REPLACING BATTERIES

- Different types of batteries or new and used batteries should not be mixed
- Batteries should be inserted using the correct polarity
- Exhausted batteries should be removed and disposed of safely
- If the appliance is not to be used for a long period, batteries should be removed



NOTE: Batteries are not included.
The remote requires
2 x 3v CR2032 batteries.

When the light flashes continuously, the batteries need to be replaced

OPERATION

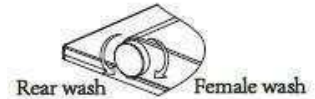
REAR WASH/ FRONT WASH



While seated, press the rear wash or front wash button on the remote and the toilet will begin wash mode.



Alternatively the dial on the side of the toilet can be turned clockwise to activate front wash or anticlockwise to activate rear wash.



The washing function will run for 3 minutes.

NOTE: When the wash mode is activated, after a 10 second delay the nozzle will move for 18 seconds before staying in the set position for the rest of the wash.

While in wash mode, you can adjust the following settings:

MESSAGE

Change between “OSCILLATING”, “PULSATING” AND “OSCILLATING AND PULSATING” functions.



To access massage mode, keep pressing the + or – temperature buttons. Then, press the + water flow button to change between the different massage functions.

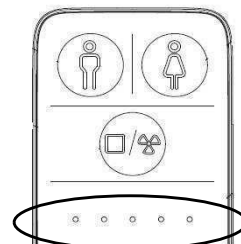
The Indicator lights on the remote will show the massage mode selected.

1 Light – Oscillating Mode

2 Lights – Pulsating Mode

3 Lights – Oscillating and Pulsating Mode

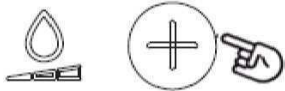
Please Note: The massage mode can only be adjusted using the remote control.



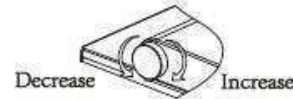
WATER FLOW

Change between LOW, MEDIUM or HIGH

To adjust the water flow, press the + or – water flow buttons on the remote. The indicator will show the rate that the water is flowing between LOW, MEDIUM and HIGH.



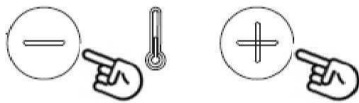
You can also adjust the water flow using the dial located on the side of the toilet. Turn the dial clockwise to increase the flow or anticlockwise to decrease.



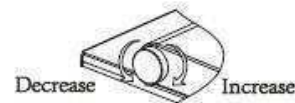
WATER TEMPERATURE ADJUSTMENT

The water temperature can be adjusted.

Use the temperature adjustment buttons on the remote. Press the + or – to increase or decrease the temperature.



Press the dial on the side of the toilet. The temperature can then be increased by turning clockwise or decreased by turning it anticlockwise.



STOP

Stops all functions immediately no matter where they are in their cycle.



To stop any of the functions at any time, press the stop button on the remote control.

ADJUST NOZZLE

The nozzle position controls where the water is sprayed during washing mode.



Change the nozzle position by using the + and – nozzle buttons on the remote to retract or extend the nozzle.




Please Note: The nozzle position can only be adjusted using the remote control.

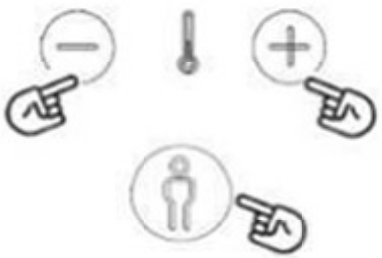
AIR DRY MODE

When seated, press the Dry button on the remote and air dry mode will operate for 3 minutes.



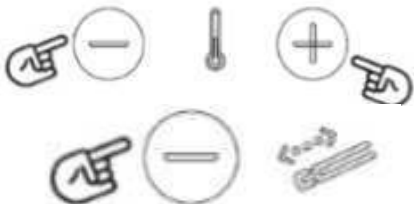
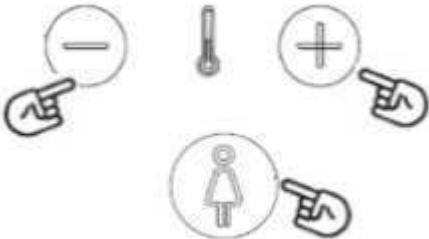

While the air dry mode is operating, you can change the following settings:

AIR TEMPERATURE ADJUSTMENT	
<p>Adjust the temperature of the air flow by using the + and - adjust temperature buttons on the remote.</p> 	<p>Turn the dial on the side of the seat clockwise to increase the air temperature or anticlockwise to reduce it.</p> 
STOP	
<p>The stop button stops all functions immediately no matter where they are in their cycle.</p>	
	<p>To stop any of the functions at any time, press the stop button.</p>

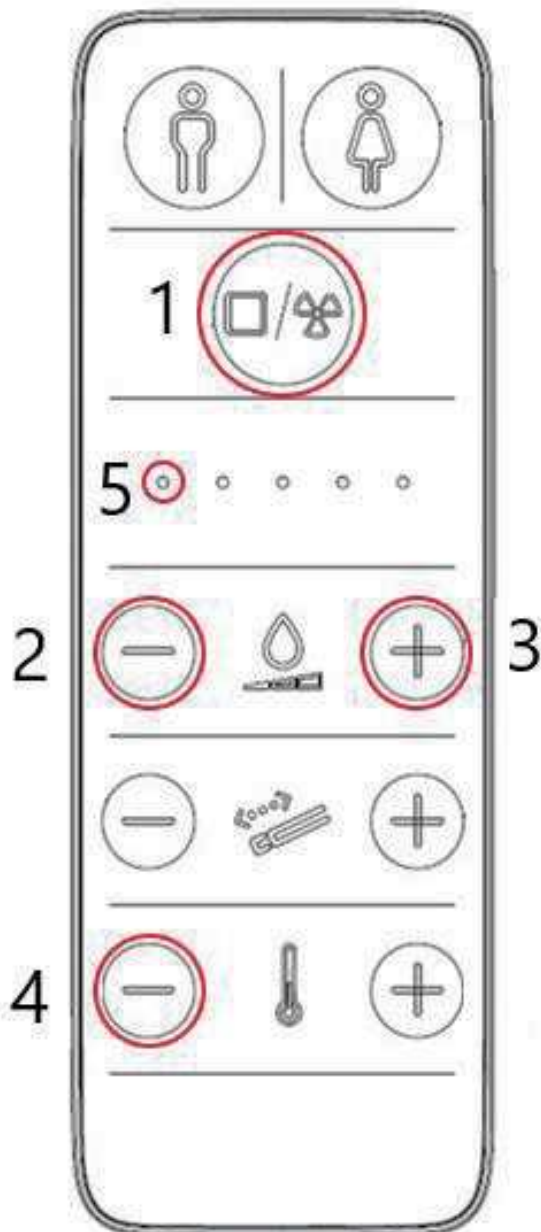
INDICATOR LIGHT	
<p>The indicator light on the control dial is on by default. To turn it off press and hold the "+" or "-" temperature button. Then press the "Rear Wash" button. The Indicator light will illuminate when the "Rear Wash" button is pressed again.</p>	
<p>Or Open the cover and sit, without washing or drying, keep pressing the control dial for 6 seconds, the lamp will turn off, if pressed again for 6 seconds, the light will turn on.</p>	

OTHER FEATURES

The intelligent toilet comes with other features that improve its ease of use. These can be adjusted when no other function is in operation.

NIGHT LIGHT	
<p>The night light defaults to always on. Press the + or – temperature buttons on the remote at the same time before pressing the – nozzle button. Keep pressing the – nozzle button to change between OFF, ON and SMART modes. (Light will operate in dark conditions).</p>	<p>Alternatively the night light can be adjusted by lifting the toilet lid and seat. Then turn the control dial on the side of the seat anti clockwise to change the mode.</p>
	
AUDIO	
	<p>The toilet will bleep when settings are changed. To turn this alert off press and hold the "+" or "-" temperature button. Then release and press the Front Wash Button. The sound/beeps will turn off. Press the Front Wash button again and the sound will be activated.</p>
<p>Or Open the cover and seat, keep pressing the control dial then rotate, the sound will activate when turned clockwise and deactivate when turned anti-clockwise</p>	
STANDBY	
	<p>Without sitting press and hold the control dial on the side of the seat for 6 seconds, the seat will go into "Standby Mode" Press and hold the button again for 6 seconds to restart the seat.</p>

Remote Control Sync



Step 1

Open the lid and the seat.

Turn off the night light using the side control (Refer to the "light Setting")

Step 2

Press and hold the STOP button (1) and "-" button (4) at the same time for a few seconds until the first light (5) flashes.

Step 3

Release the STOP button (1) but keep pressing "-" button (4).

Step 4

While still Pressing "-" button (4), press "-" button (2) then "+" button (3) then release the "-" button (4), the indicator lights will flash on and you will then know the ID code for the toilet by referring to the table below for future reference and the remote is then synced with the toilet.

A few second later, all lights will turn off and you can start to control the toilet.

For multi installations:

When you finish the above 4 steps, you can press "-" button (2) and "+" button (3) to change the ID code for the toilet.

There are 5 lights, but only the first 4 lights indicate for the ID code as below:

● Not Illuminated ○ Illuminated

LIGHT SHOWING ID CODE NO

○ ● ● ●	0
● ○ ● ●	1
○ ○ ● ●	2
● ● ○ ○	3
○ ● ○ ●	4
● ○ ○ ●	5
○ ○ ○ ●	6
● ● ● ○	7
○ ● ● ○	8
● ○ ● ○	9

CLEANING AND MAINTENANCE

Daily	Remove water drops with a soft lint free cloth to avoid limescale build-up.
Weekly	Clean all surfaces and corners. Clean the spray nozzle is necessary (see Nozzle cleaning)
Monthly	Clean the ceramic with low acidic cleaning agents.
Every 6 months	Replace the filter if required. (see replacing the filter)

NOTE: Do not use strong abrasive cleaning agents or materials, as this can damage the product and will invalidate your guarantee.

TANK SELF-CLEAN

If the product is not used for more than 72 hours, the next time it is used, and the wash function is activated, the unit will carry out a self-clean for approximately 3 minutes. All functions will be de-activated during this time.

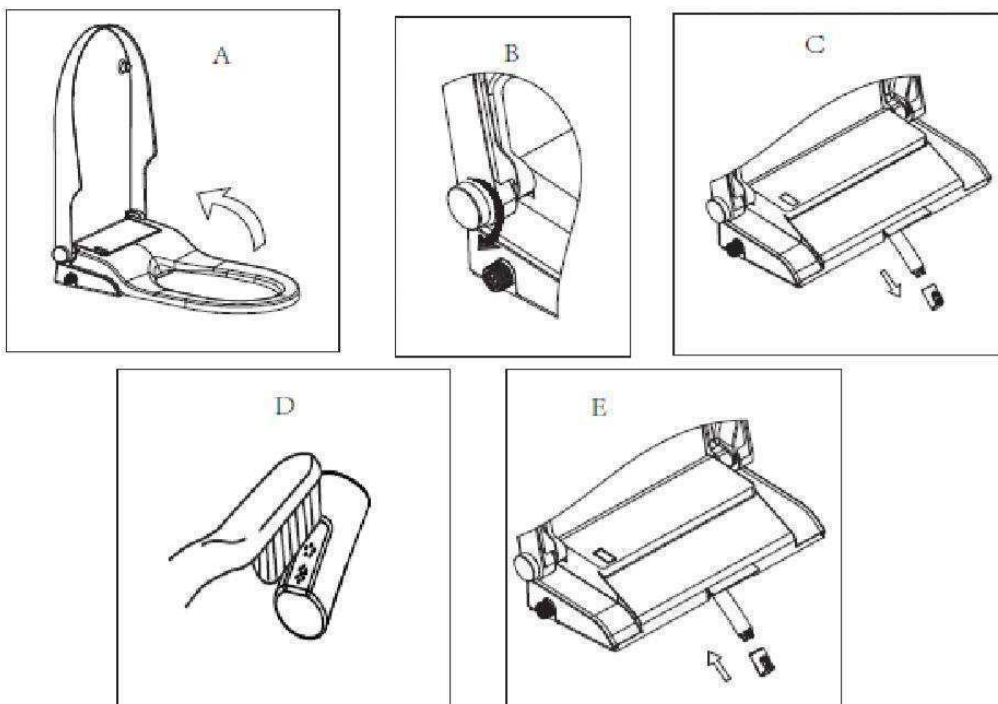
CLEANING THE NOZZLE

It is recommended that regular cleaning of the nozzle takes place to prevent blockages.

To manually clean the nozzle, follow the below:

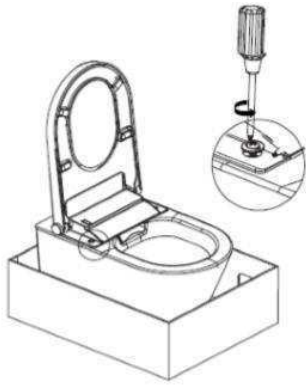
Open the seat cover and seat, then rotate the control dial clockwise. The nozzle will extend, rub clean with a brush to clean the nozzle holes and then wipe clean.

The nozzle will return after a 5-minute period or you can press the Stop button.



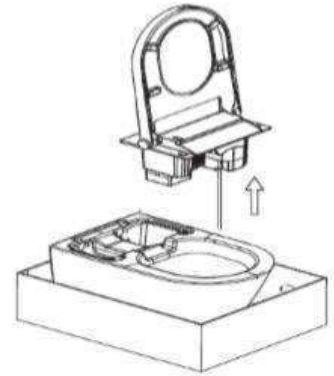
REPLACING THE FILTER

The filter supplied has a life of 6 months and should be replaced to prevent reduced flow. This can be affected by the water type i.e. Hard Water areas.



To replace the filter, you will need to turn off the power supply and the water supply and the seat will need to be removed.

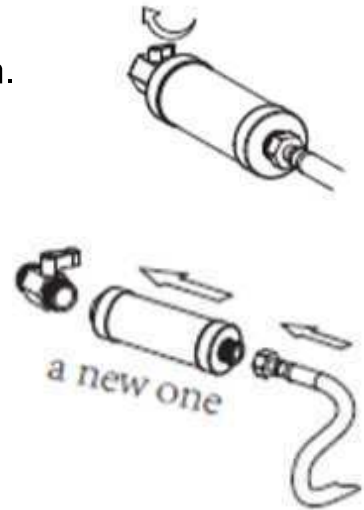
Once the power has been cut to the unit, unscrew the seat from the toilet, do not turn the seat upside down. Once removed, access the filter and the stop valve.



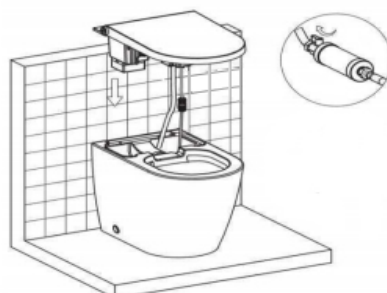
Turn the stop valve to the closed position.



Disconnect the filter and replace with the new part, ensuring to re-fit the seals.



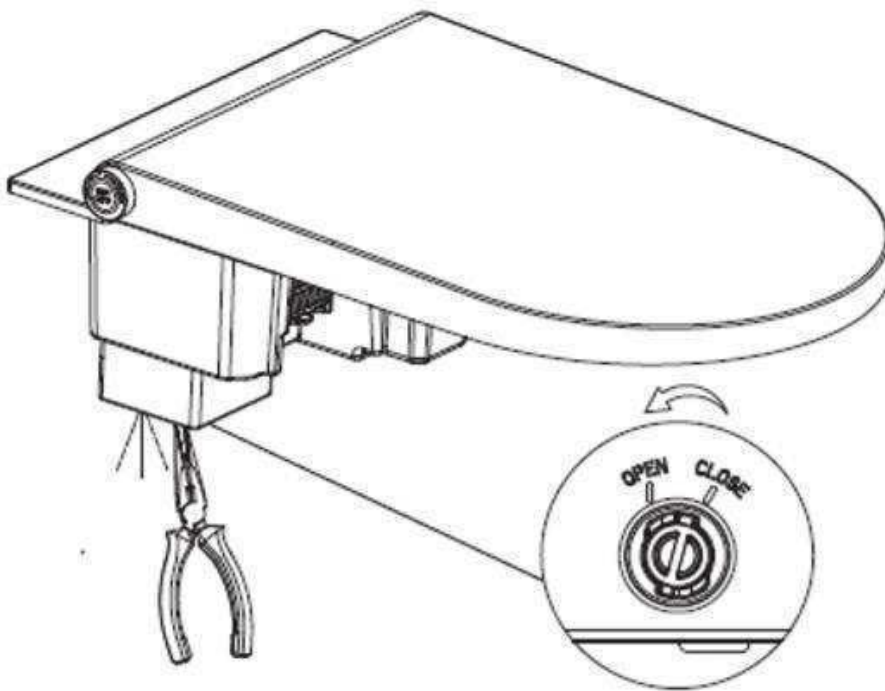
Feed the pipes back into the toilet base, turn the power back on and re-set the RCD Re-open the stop valve. Re-fit the seat and secure into position.



DRAINING THE WATER TANK

The water and power must be cut to the unit before work is started Do not invert the seat.

Ensure a water holding container is in place prior to draining



Using pliers hold the plug on the tank turn the plug to OPEN and pull out Water will start to drain.

After draining is completed, insert the plug and turn to CLOSE.

TROUBLESHOOTING

Problem	Potential cause	Suggested action
The washing function not operating	The power supply may not be connected	Ensure the power switch is in the on position and the RCD has been reset.
	The water supply may be disconnected	Ensure the inlet water valve is in the open position, and ensure there is adequate water flow to the unit.
	The filter may be blocked	Please replace a new filter. It has a service life of approx. 6 months.
	Seat detector not activated	Ensure the seat is occupied to activate the function.
	Toilet lid is closed	Lift the toilet seat.
	Function not used for more than 72 hours	The self-cleaning function will activate, which takes around 3 minutes. During self-cleaning all the buttons are deactivated until the function has completed.
Washing function suddenly stops and nozzle retracts.	The washing cycle is 3mins. The nozzle will stop spraying after 3mins, and then retract.	This is normal and please press the "wash" button to start another wash cycle.
	Water supply interrupted	Please check if there is a water outage
	The seat detector has sensed the user left the seat	Please adjust sitting position
	The toilet lid is not fully open	Ensure the lid remains upright during the function.
Low water flow rate	The water flow rate may be set at low grades	Please increase the flow rate as per "adjusting water flow rate" of operating instructions
	The water supply pressure may be too low	Please check and ensure the water supply pressure is 0.07Mpa
	The filter may be blocked	Replace the filter. It has a service life of approx. half a year
	The nozzle may be blocked	Please replace the nozzle
Low water temperature	The water temperature may be set at low grades	Please set the water temperature at high grade as per "adjusting temperature" of the operating instructions
	The temperature of water supply is too low	Please set the water temperature at high grade as per "adjusting temperature" of operating instructions, or decrease the flow rate as per "adjusting water flow rate".
The nozzle comes out slowly	Upon starting the washing function, the nozzle will be in self-cleaning mode before coming out.	This is normal
The water flows out but the nozzle does not come out	The toilet is not used for more than 72 hours	This is normal. If not used for more than 72 hours, when the unit starts it will begin the self-cleaning for about 3 minutes
The dryer cannot work	The power supply may not be opened	Please turn on the power
	Not correctly seated	Please sit on the seat and adjust sitting position
	The cover is closed	Please open the cover and sit on the seat
Low air temperature	The air temperature may be set at low grades	Please set the air temperature at high grade as per "adjusting temperature" of operating instructions
	The air heater is not working normally	Please contact local distributor
Night light is always off	To much light in the surrounding environment.	When the night light is set at smart mode, the night light will not work when in the bright environment.
	The night light function may be closed.	Please open the night light function and adjust the night light mode as per "Light Setting".
Night light is always on.	Something may be covering the control dial.	When the night light is set at smart mode, the night light will be always on when in a dark environment
	The night light is set at always on mode	Remove the obstructions around the control dial
	The nozzle goes back after washing 5 minutes.	Please adjust the night light mode as per "Light Setting" of operating instructions

The nozzle goes back automatically when manual cleaning	Press the "stop" button	This is normal
	The seat detector senses that the seat is closing	Manual cleaning will be stopped if you press the control dial or press the "stop" button on the remote control.
The remote control is not functioning	There are no batteries in the remote control	Change the batteries
	Maybe the battery power is too low	Please install the correct batteries in the remote control
	Maybe the code of the bidet and remote control is not the same	Please set the code of the remote control to the correct one. See "One-On-One Setting"
	There is a short BEEP when you are sitting down, and a long BEEP when you leave. Also, there is a short BEEP when the bidet has received commands.	This is normal. You can turn off the sound. See "Sound Setting"
There are BEEP sounds when the bidet is working	Maybe there is something abnormal	Please shut off the power and turn on after one minute. If the bidet still cannot work, please contact local distributor
The bidet cannot work normally	The water supply temperature may be too high	Check the temperature settings on the remote. If nothing changes, contact the retailer.
The light around the control dial flash twice with constantly BEEP	There may be something wrong with the product	Please shut off the power and water supply, stop using the product, and then contact local distributor.



Recycling facilities are now available for all customers at which you can deposit your old electrical products. Customers will be able to take any old electrical equipment to participating sites run by their local councils. Please remember that this equipment will be further handled during the recycling process, so please be considerate when depositing your equipment. Please contact the local council for details of your local household waste recycling centers.

At the time of printing the product contains no substances listed within Annex XIV of the Reach Regulations (EC) 1907/2006. In accordance with Article 59 of the same regulation the following substances are contained within the product at permitted levels: Lead & Cadmium.

As a responsible manufacturer the regulations are monitored to ensure continued compliance. Further information can be provided upon request.

UK SUPPORT Tel: 01442 843120

Office hours: 9AM~4PM Monday to Friday

TECHNICAL SPECIFICATIONS

MODEL		Aqua Lava 1400 Series
Wash	Rear Wash	●
	Front Wash	●
	Oscillating Spray	●
	Pulsating Spray	●
	Oscillating and Pulsating Spray	●
	Adjustable Water Temperature	5 Steps (Default 3rd)
	Adjustable Flow Rate	5 Steps (Default 3rd)
	Adjustable Spray Position	5 Steps (Default 3rd)
Warm Air	Air Drying	●
	Adjustable Dryer Temperature	5 Steps (Default 3rd)
Hygiene	Nozzle Self Cleaning	●
	Nozzle Manually Cleaning	●
Night Light		●
Breathing Lamp		●
Soft Closing Seat and Cover		●
Body Control dial		●
Remote Control		●
Rimless Toilet		●
Installation of the toilet		Floor Mounted/Elevated
Water Supply Connector		G 3/8" 1/2"
Rated Voltage		AC220-240V, 50/60HZ
Power		950W
Length of Power Cord		1.8m
Water Supply Pressure		0.07~0.75MPa (0.7~7.5Bar)
Water Supply Temperature		4~35 ⁰ C
Ambient Temperature		4~40 ⁰ C
Protection Degree		IPX4
wash Device	Flow Rate	350~650mL/min
	Water Temperature	31~39 ⁰ C
	Wash Cycle Time	3 Minutes
	Heating Mode	Tank
	Maximum Heater Power	1200W
	Safety Device	Thermal Cutoff/ Fuses\Liquid Level Switch\Thermostat
	Backflow Prevention	Air Gap
Dry Device	Maximum Speed Of Air	5m/S
	Maximum Dryer Power	280W
	Dry Cycle Time	3 Minutes
	Warm Air Temperature	35~50 ⁰ C
	Safety Device	Thermal Cutoff/ fuse\Thermostat
Remote Control	Frequency Range	2460MHz
	Maximum RF Output Power	-10dBm
	Type of batteries	3V CR2032
	Number of batteries	Two pieces
Net Weight		32 Kg
Dimensions		593 x 370 x 380 mm

EU DECLARATION OF CONFORMITY

This declaration of conformity is issued under our sole responsibility and belongs to the following product:

Type of product: Floor Mounted Smart toilet
Object of Declaration Floor Mounted SmartToilet

The object of the declaration described above is in conformity with the relevant Union harmonisation legislation:

Low Voltage Directive 2014/35/EU
EMC Directive 2014/30/EU
RoHS Directive 2011/65/EU
Radio Equipment Directive 2014/53/EU

Relevant harmonised standards used or other technical specifications in relation to which conformity is declared:

SAFETY	EN 60335-1:2012 +A13:2017 EN 60335-2-84:2003 + A1:2008 EN 62233:2008
EMC	EN 55014-1:2006 + A2:2011 EN 55014-2:2015 EN 61000-3-2:2014 EN 61000-3-3:2013
RED	EN 300440 V2.1.1:2017 EN 301489 -1 V2.1.1:2017 EN 301489 -3 V2.1.1:2017
RoHS	EU 2015/863

DECLARATION OF PERFORMANCE

This declaration of performance is issued under our sole responsibility and belongs to the following product:

Type of product: Floor Mounted Smart toilet

Object of Declaration Floor Mounted Smart Toilet

The object of the declaration described above is in conformity with the relevant Union harmonisation legislation:

Construction Product Regulations

Relevant harmonised standards used or other technical specifications in relation to which performance is declared:

BS EN997:2012+A1:2015

Personal Hygiene
AVCP System 4

Essential Characteristics

CL 1 -6A – Class 1 product/ Flushing cistern	PASS
WL – Water Tightness / Leak Tightness	PASS
BP – Back Flow Prevention	PASS
CA - Cleanability	PASS
LR – Load Resistance	PASS
DA – Durability	PASS