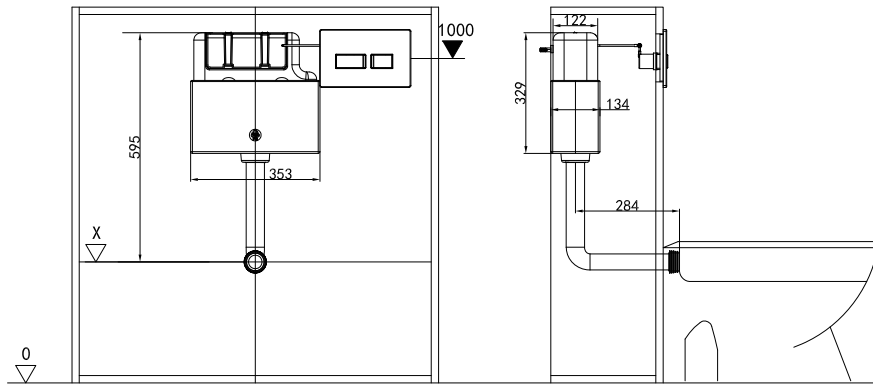
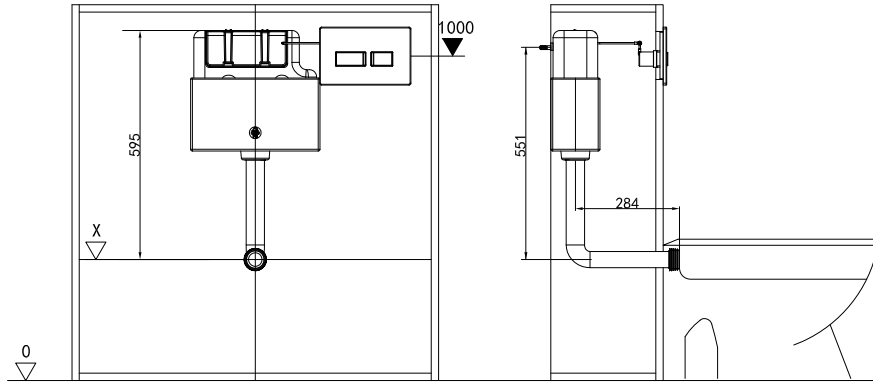


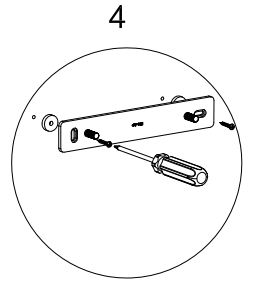
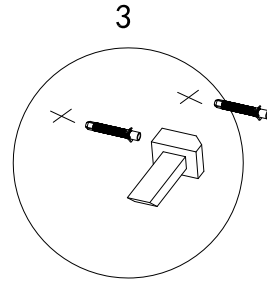
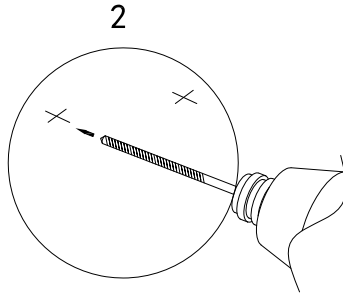
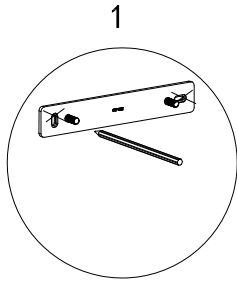
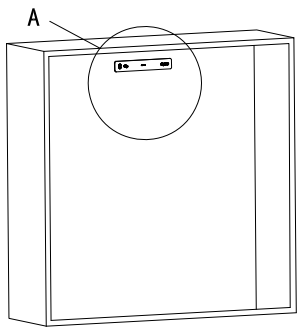
# 1 Dimensions



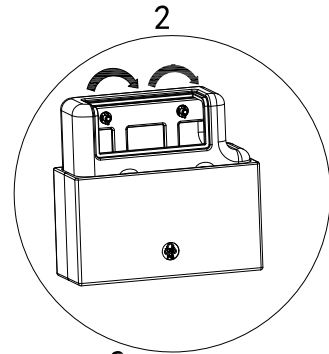
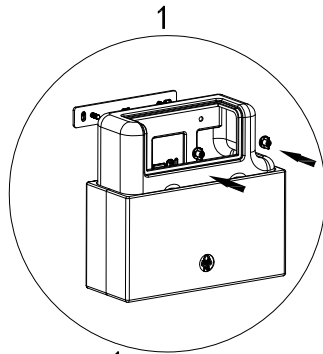
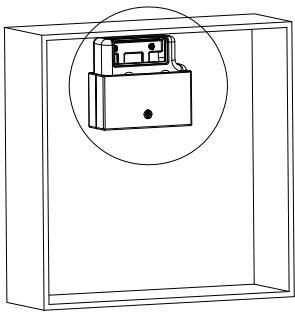
# 2 Adjustment



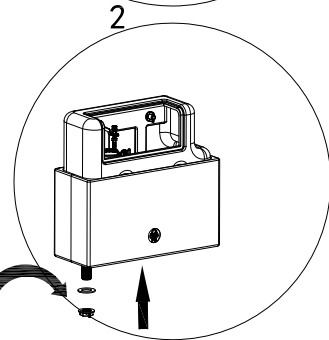
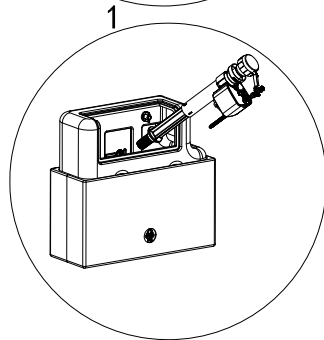
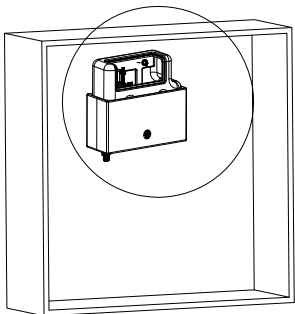
3



4



5



6

