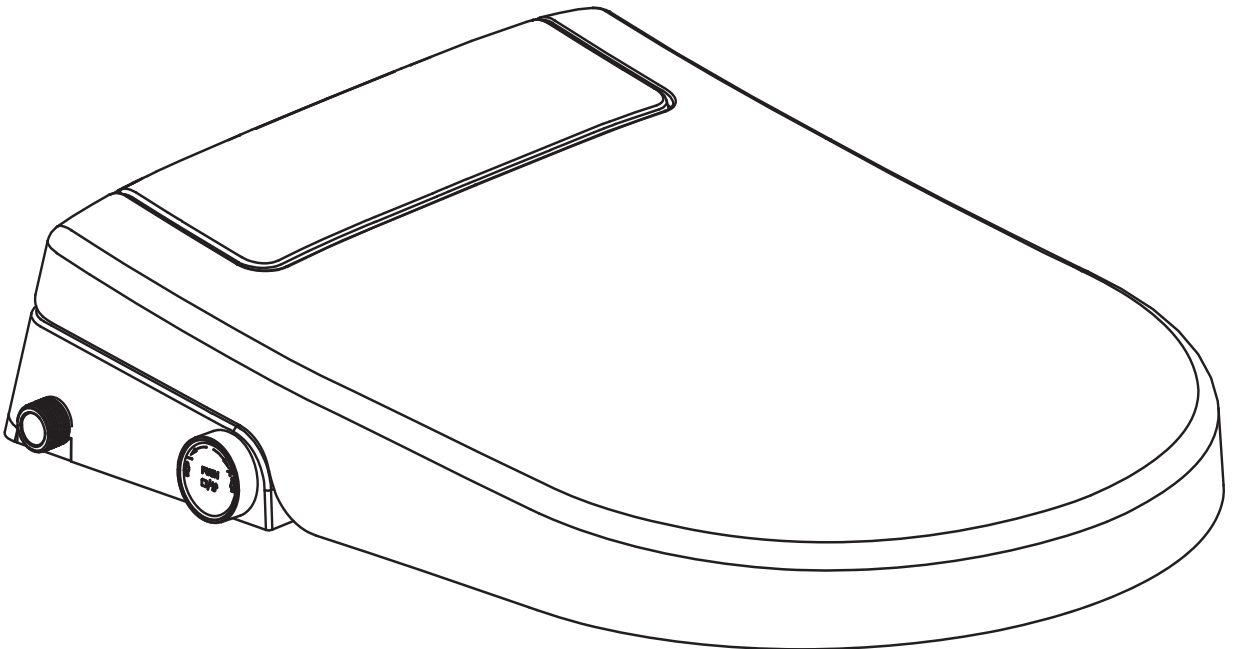


Aqua-Lava

User and Installation Guide

Models: UB-6500SE UB6500BE
CCP-6500-CH CCP-6500-SH
GFR-6500-CH GFR-6500-SH



Please read all instructions before installation and leave this document with the end user for future reference as it contains important warranty information

Rev: 2

Index

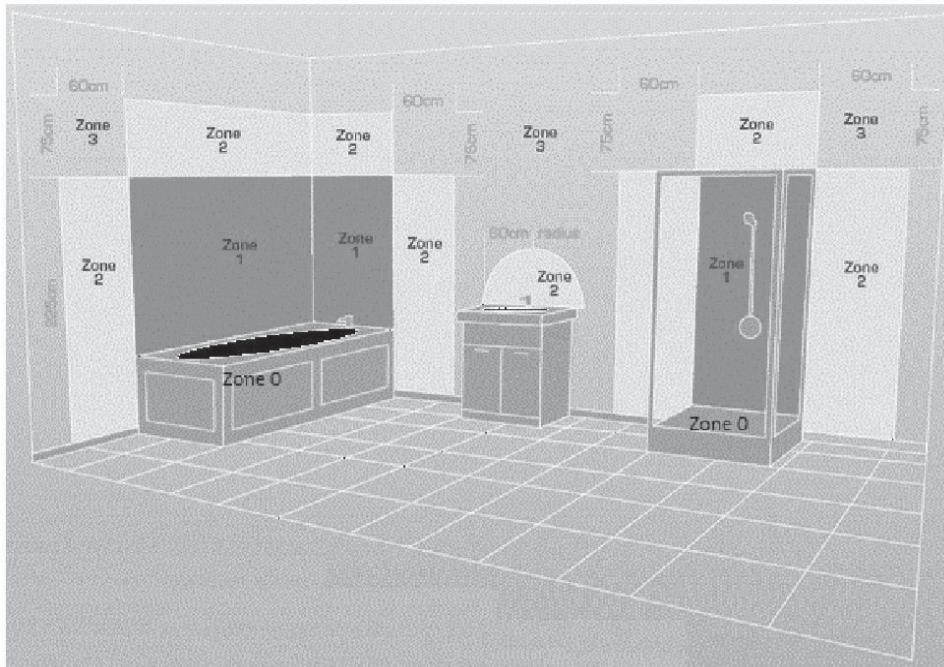
SAFETY INFORMATION	3
ZONING REGULATIONS	4
PARTS LIST	5
TECHNICAL SPECIFICATION	6
SEAT DIMENSIONS	7
SEAT FUNCTIONAL OVERVIEW	9
SIDE ENTRY INSTALLATION UB-6500SE	10
BOTTOM ENTRY INSTALLATION CCP / UB-6500BE	12
INSTALLING REMOTE CONTROL	14
REMOT CONTROL OVERVIEW	15
SETTING AND OPERATING THE BIDET FUNCTION	16
CARE AND CLEANING	21
DESCALING FUNCTION	22
RELEASING THE SEAT AND COVER	24
NOZZLE CLEANING	26
TROUBLE SHOOTING GUIDE	27
DRAINING THE TANK	28
DISPOSAL	29
CONTACT AND WARRANTY	30

Safety Information

- This manual must be read and fully understood before installing or using the appliance.
- This product must not be operated without a connected water supply, it must not be inverted and must be fitted to the toilet in the correct orientation and water supply turned on PRIOR to switching the power supply on
- Installation must be in accordance with all relevant local regulations applicable at the time of installation.
- It must be installed by a qualified professional to in accordance with BS 7671.
- If electrical work is carried out within the bathroom which involves addition or alteration of existing circuits, it may be notifiable to your local building control department (Part P). If unsure, professional advice should be sought.
- The toilet must be fitted in accordance with the Water Supply (Water Fittings) Regulations and Water Supply (Water Fittings) (Scotland) Byelaws.
- If the power cable is damaged it must not be connected to the power until it is replaced.
- The toilet must be fitted in a well-ventilated bathroom.
- The toilet must not be sprayed with liquid, or placed in a position it is likely to be sprayed.
- The toilet must not be installed in a location where it may be subject to high temperatures.
- The toilet must be stored in an upright position before installation.
- Do not over bend or kink the water supply hose as this could cause leaks
- Only use this product for its intended use. Only use attachments recommended by the manufacturer.
- Do not use this product in an outdoor environment.
- Children and people with limited physical, sensory or capabilities must be supervised when using this device or have been told the proper procedure for use beforehand.
- Do not climb or stand on the toilet.
- If the product is not working properly, disconnect from the mains and close the water supply valve immediately before contacting the supplier or a qualified professional.
- This is a Class I electrical appliance and must be correctly earthed. Make sure the earth cable is connected first during the electrical connection.
- In case of any damage to the supply cable, you must arrange for a certified and qualified electrician to replace the cable for you.
- This appliance is designed for fixed connection to a compliant power supply. Connecting this appliance to the power supply must be performed by a qualified Part P qualified electrician.
- Incorrect repairs are dangerous. Repairs must only be carried out by trained and qualified engineers.

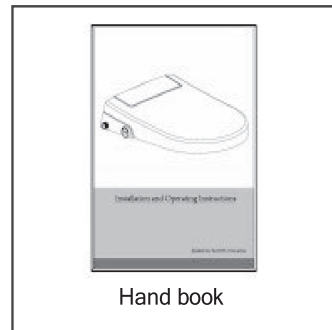
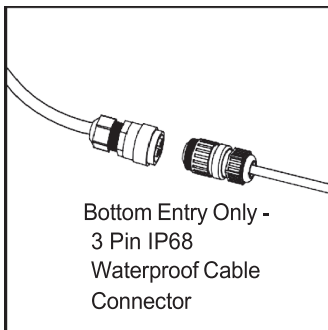
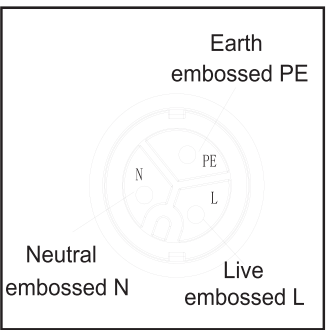
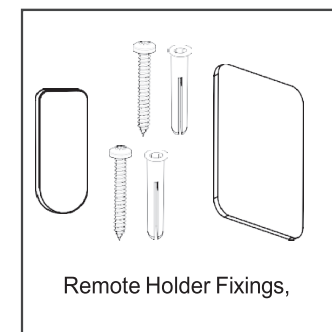
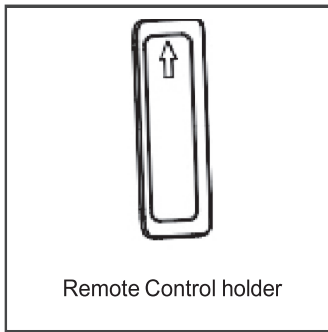
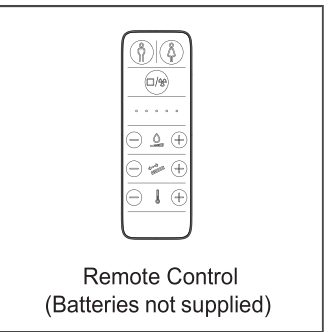
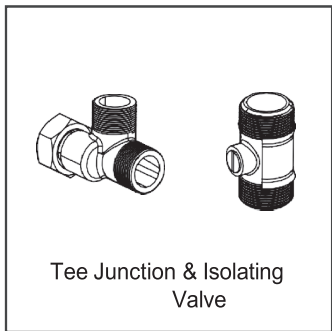
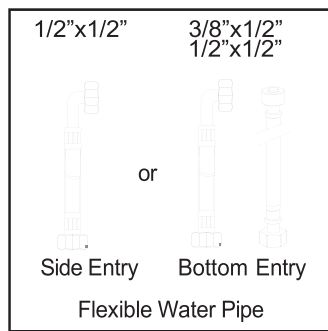
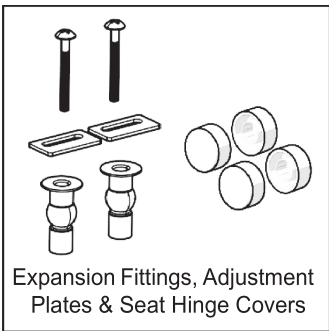
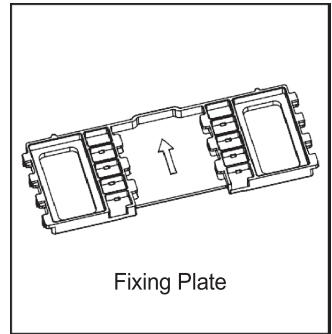
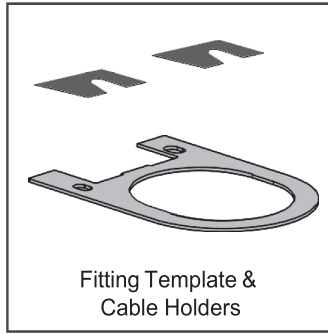
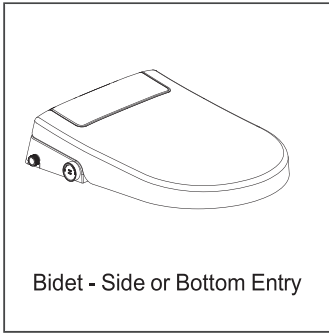
Safety Information

- The Supplier and Manufacturer are not responsible for any injury and/or damage caused by incorrect installation, maintenance or operation of the product.
- Do not force the soft close toilet seat down as this may damage the mechanism.
- A defective appliance may cause electric shock. Never switch on a defective appliance. The power must be disconnected before seeking assistance.
- This product is IPX4 rated, and so no part of the installation is allowed to be within bathroom Zones 0 or 1. Installation is permitted within Zone 2 and outside of the bathroom zones as long as it is not in a position where it is likely to be sprayed with water.



Zone 0:	The interior of the bathtub or shower basin.
Zone 1:	The area around the bathtub or shower basin up to a height of 2.25m above the floor
Zone 2:	The area stretching to 0.6m outside the bath or shower and above the bath or shower if over 2.25m

Parts list

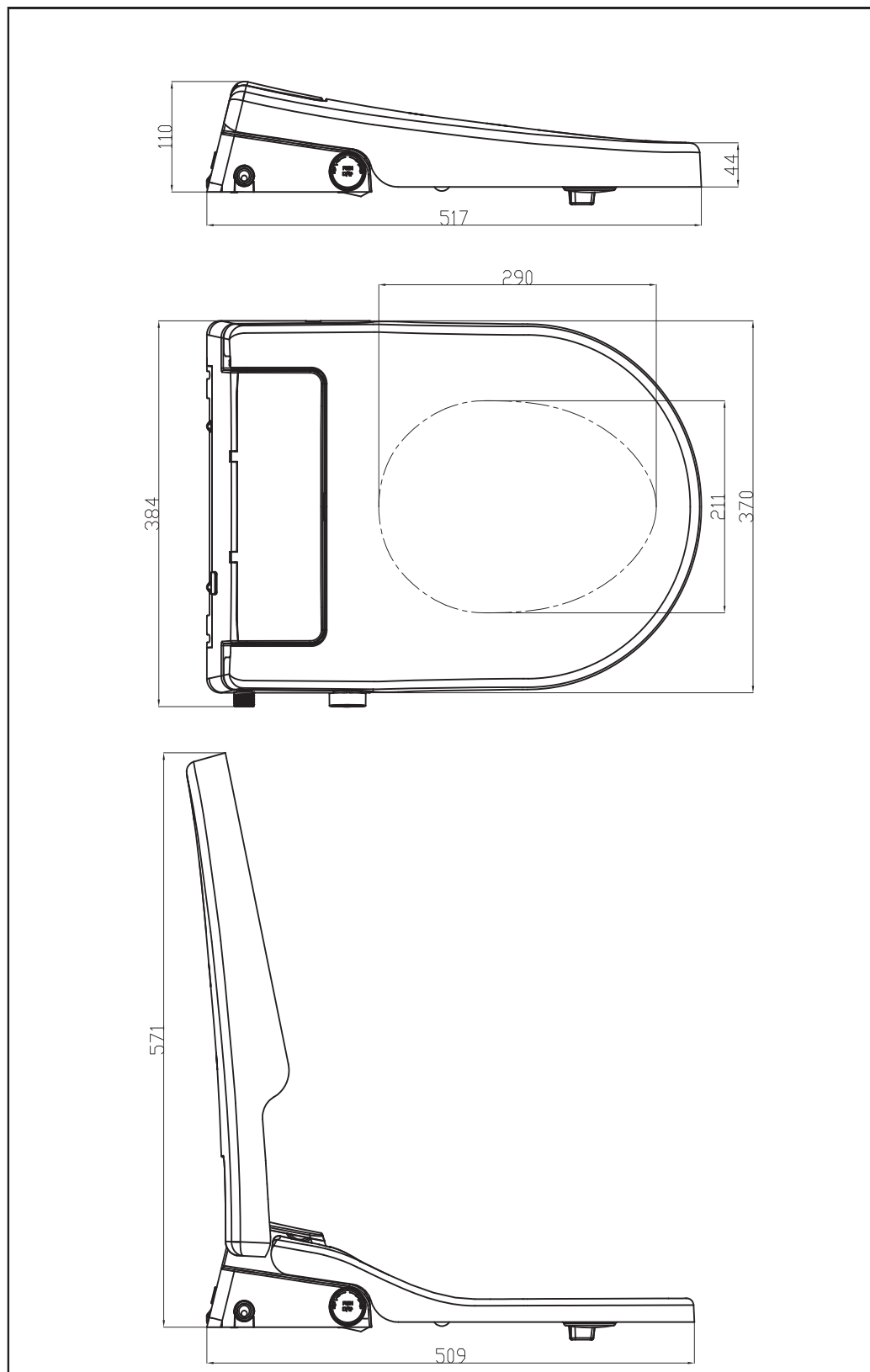


Technical Specification

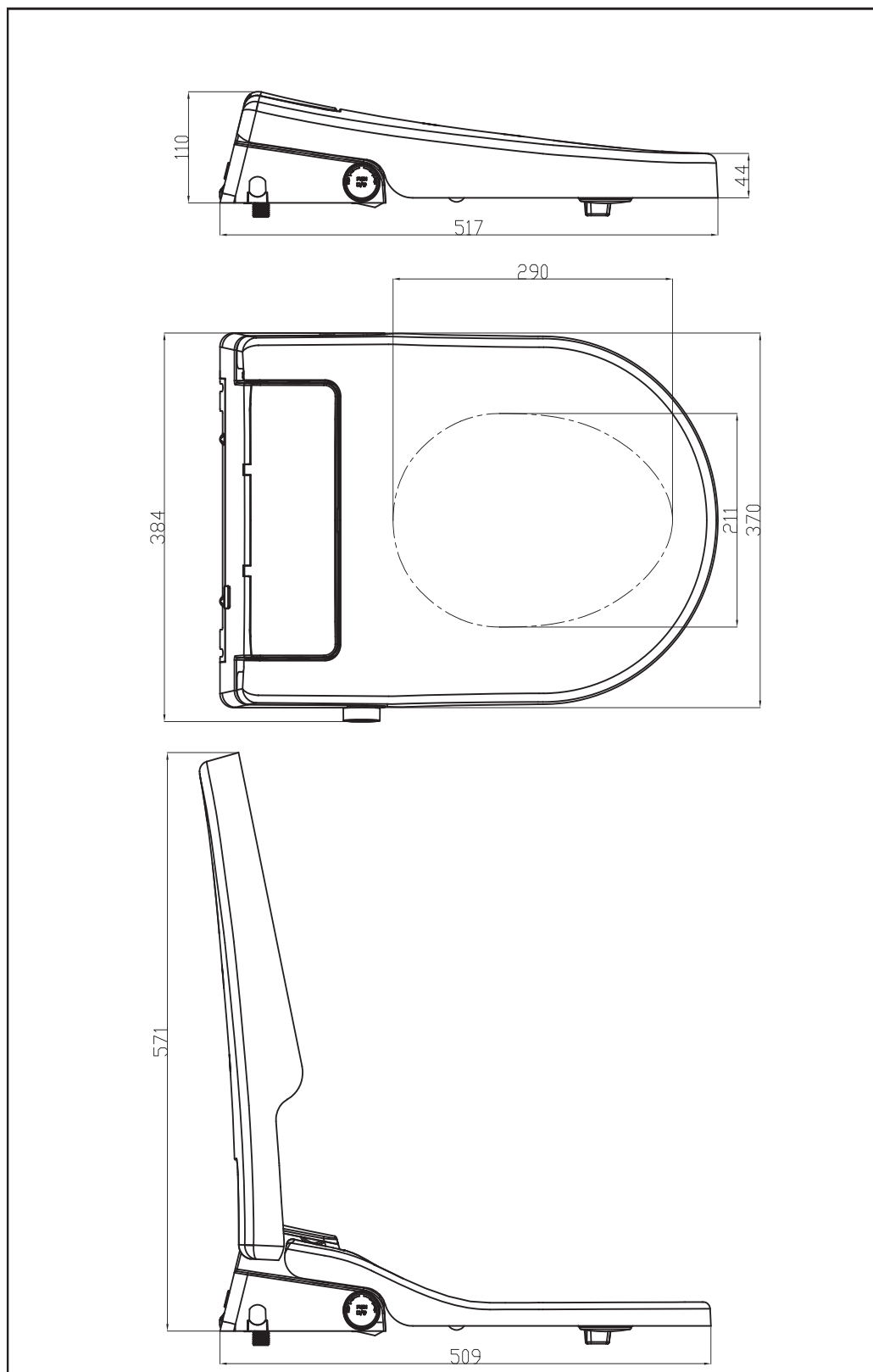


Wash	Rear Wash Female Wash Oscillating Spray Pulsating Spray Oscillating and Pulsating Spray Adjustable Water Temperature Temperature Modes Adjustable Flow Rate Adjustable Spray Position	Yes Yes Yes Yes Yes 6 Levels (Default 4th) Constant Temperature (Default) and Gradual cooling 5 Steps (Default 3rd) 5 Steps (Default 3rd)
Warm Air	Air Drying Adjustable Dryer Temperature Adjustable Dryer Rate	Yes 6 Levels (Default 3rd) 5 Steps (Default 3rd)
Hygiene	Nozzle Auto Cleaning Nozzle Manual Cleaning	Yes Yes
Features	Night Light Soft Closing Seat and Cover Quick Release Seat and Cover Side Knob Remote Control Descaling	Yes Yes Yes Yes Yes Yes
Specification	Water Supply Connector Water Supply Direction	G 1/2" / G 3/8" Side Entry / Bottom Entry
	Water Supply Pressure (Standard) Water Supply Temperature Rated Voltage Power Rating Length of Power Cord Ambient Temperature Protection Degree Maximum Weight Loading Dimension of Seat	Min 0.5 (dynamic)~Max 10 (static) Bar 4~30°C AC230V, 50Hz 1500W side entry 1500mm, bottom entry 250mm 4~40°C IPX4 150kg 517 x 384 x 110mm
Wash Device	Flow Rate (Standard) Flow Rate (Low) Water Temperature Wash Cycle Time Heating Mode Safety Device Back Flow Prevention	600~1000mL/min 450~650mL/min 31~39°C 3 minutes at constant temperature Tank / Element Thermal Fuse\Liquid Level Switch\Thermostat Air gap
Dry Device	Minimum Air Volume Maximum Dryer Power Warm Air Temperature Dry Cycle Time Safety Device	0.2m³/min 380W 35~50°C 3 minutes Thermal Fuse/Thermostat
Remote Control	Frequency Maximum RF Output Power Type of Batteries	~2460MHz 0dBm 2x 3V CR2032 (not included)

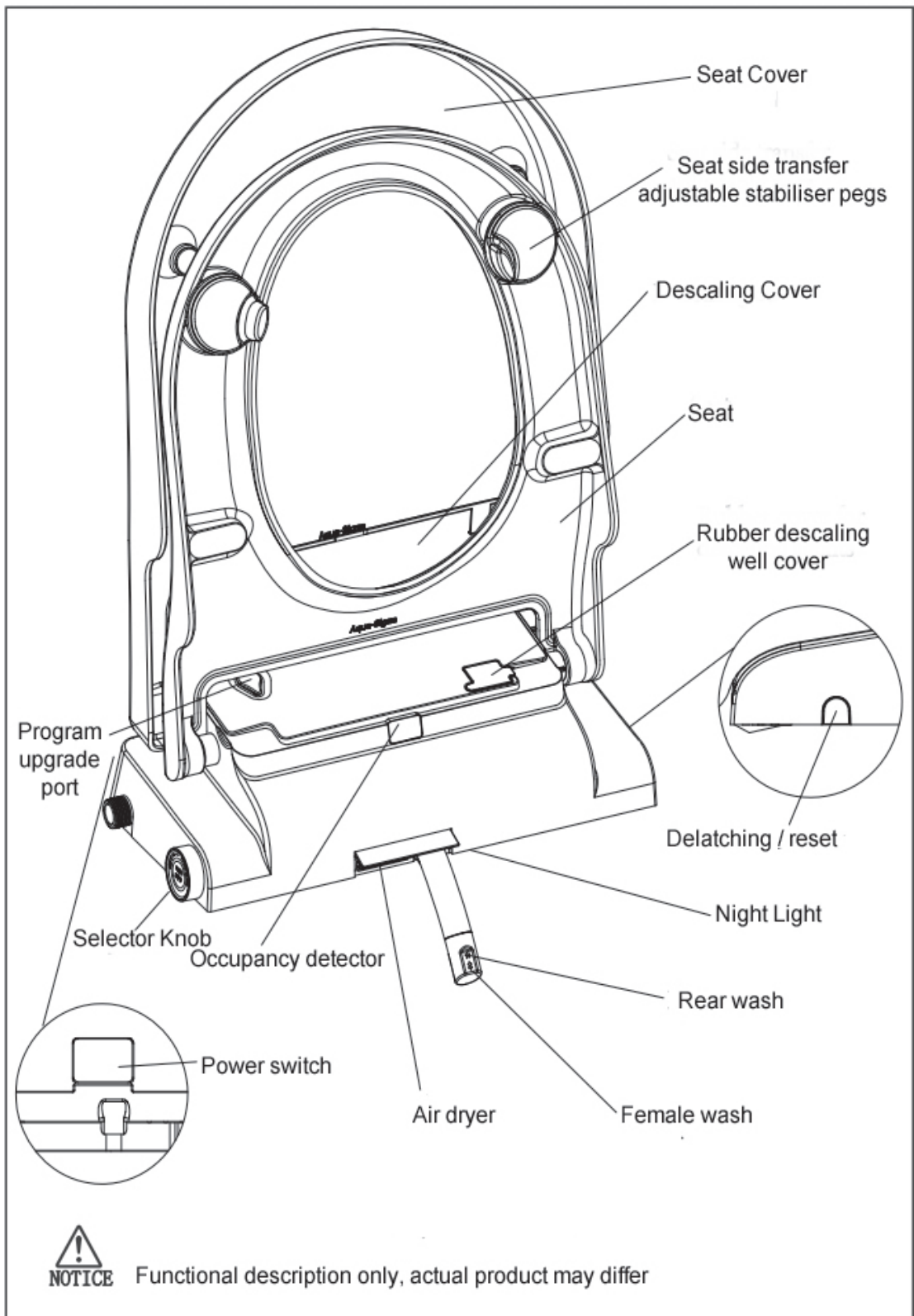
Dimensional drawing UB-6500SE



Dimensional drawing UB-6500BE



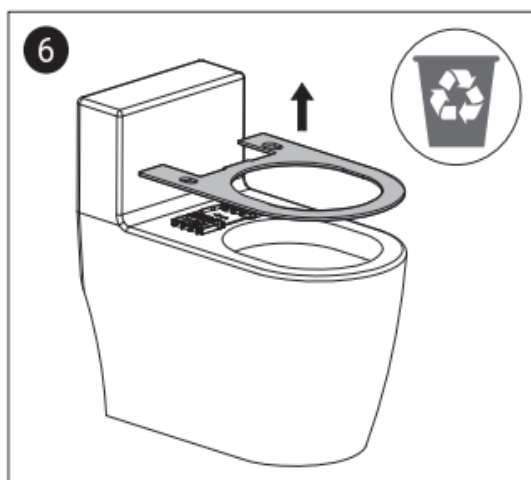
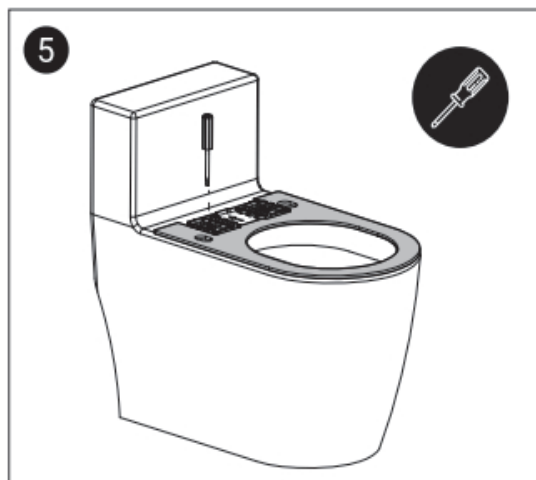
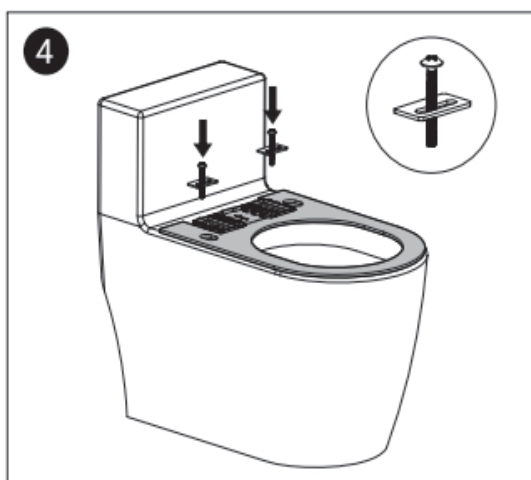
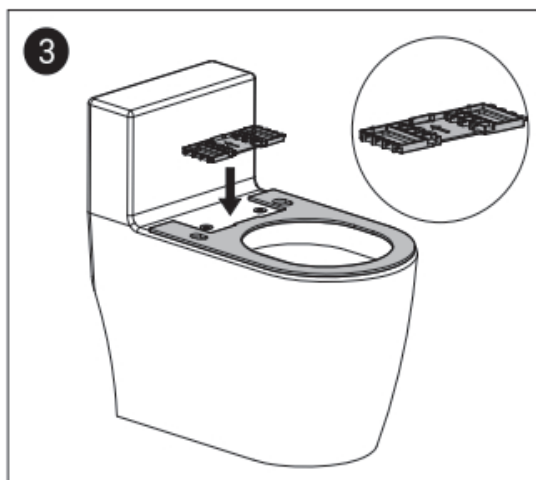
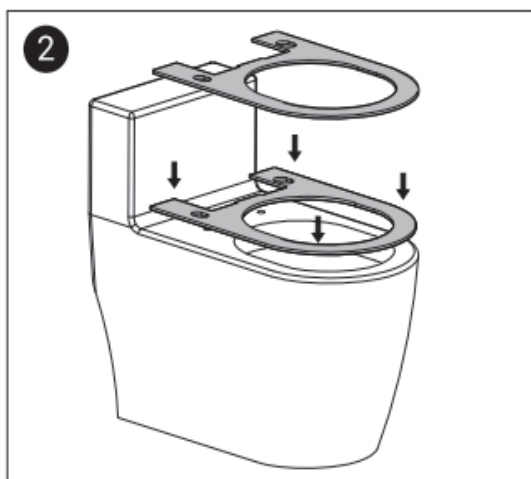
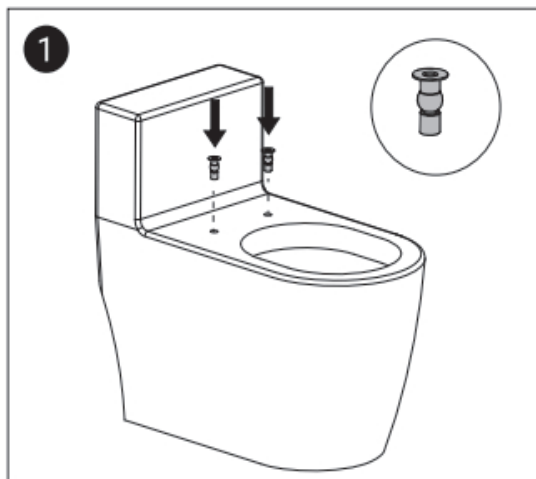
Seat functional overview



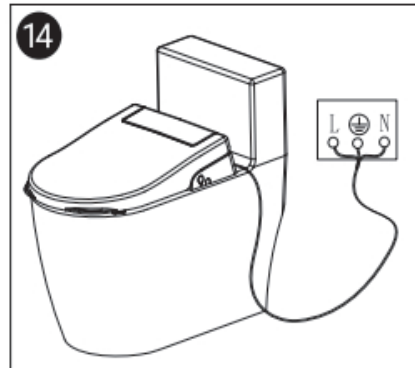
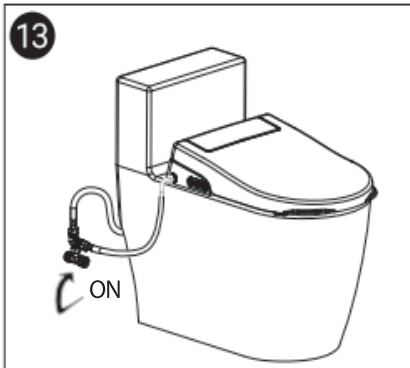
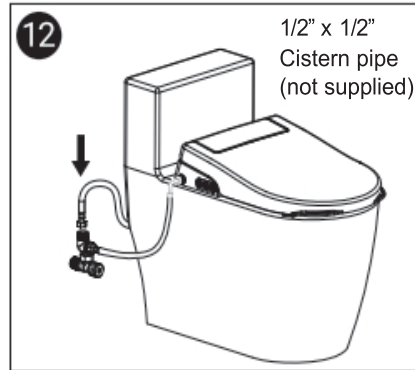
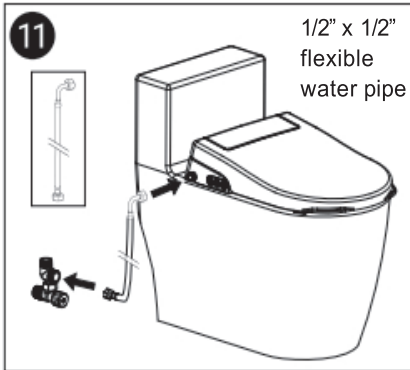
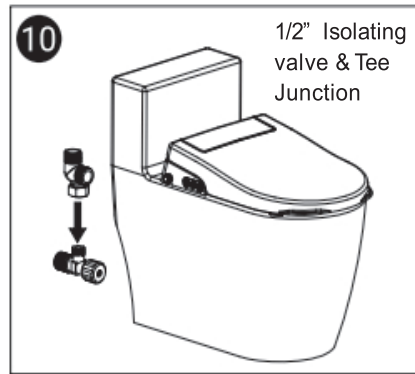
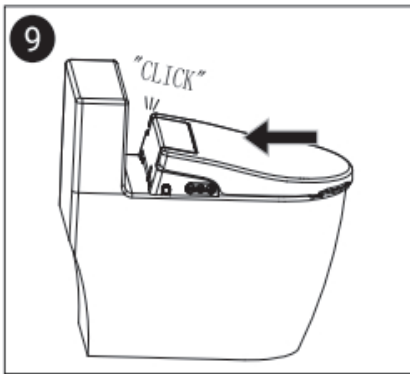
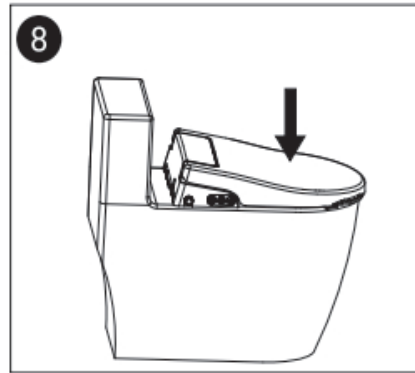
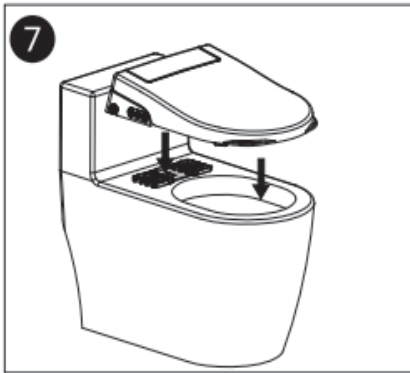
Side entry installation UB-6500SE



Caution: Ensure that the power supply is turned off at the mains supply and the water is turned off at the isolation valve.



Side entry installation UB-6500SE

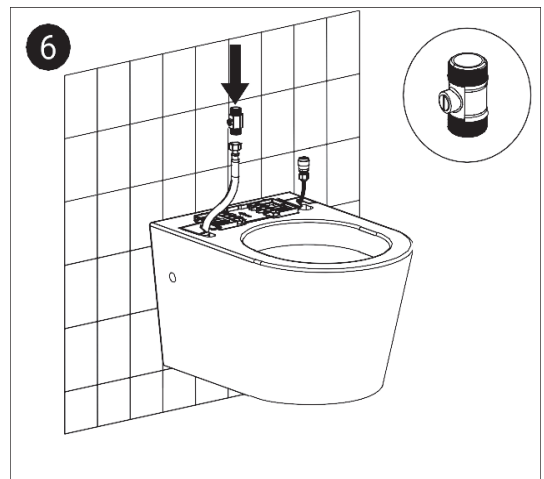
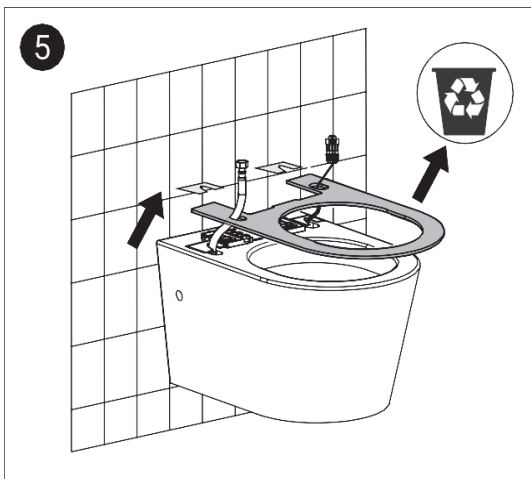
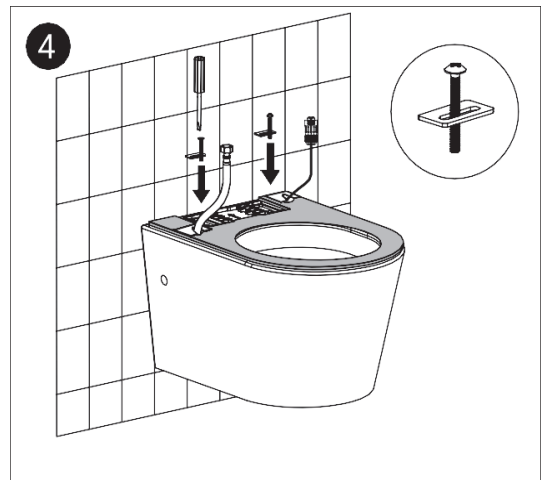
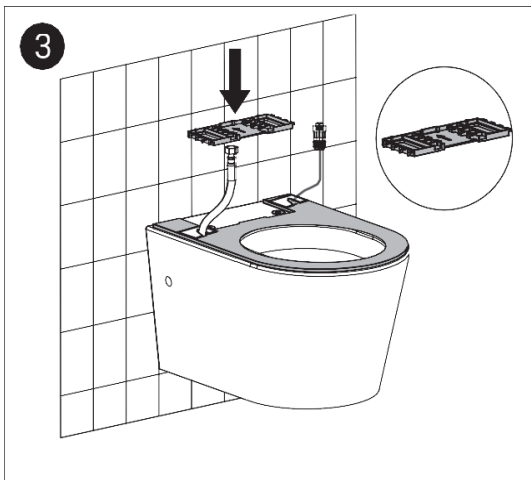
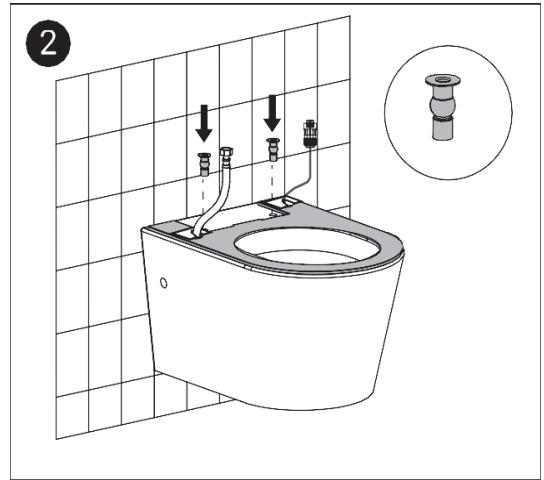
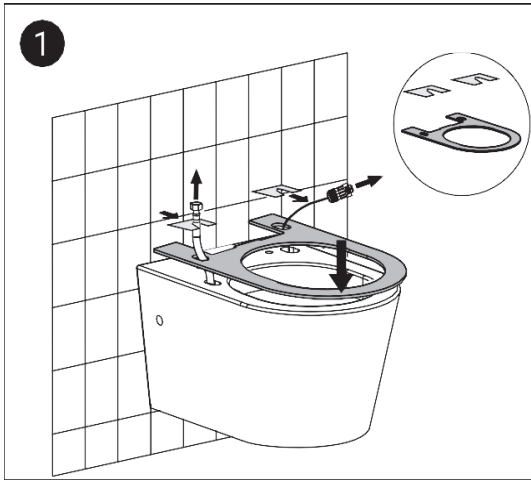


Refer to the user instructions for Bidet functions and operations.

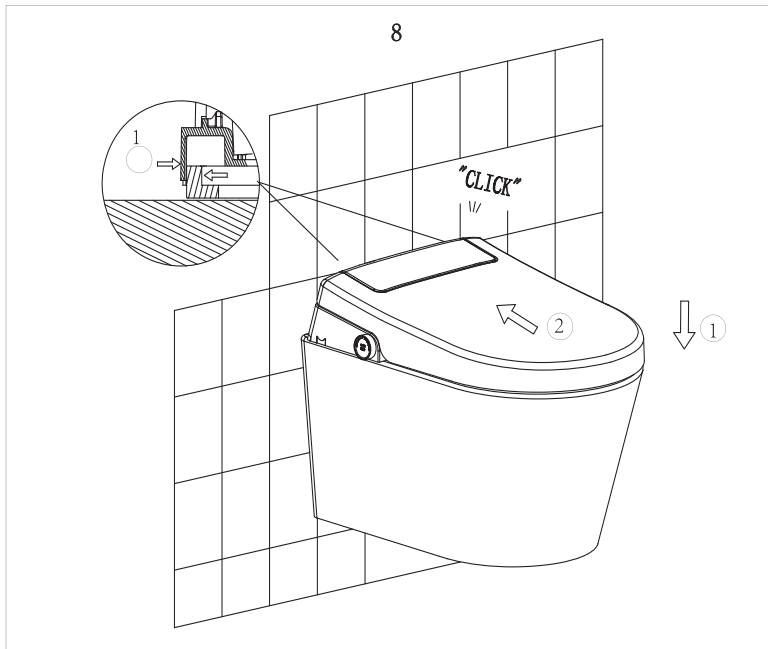
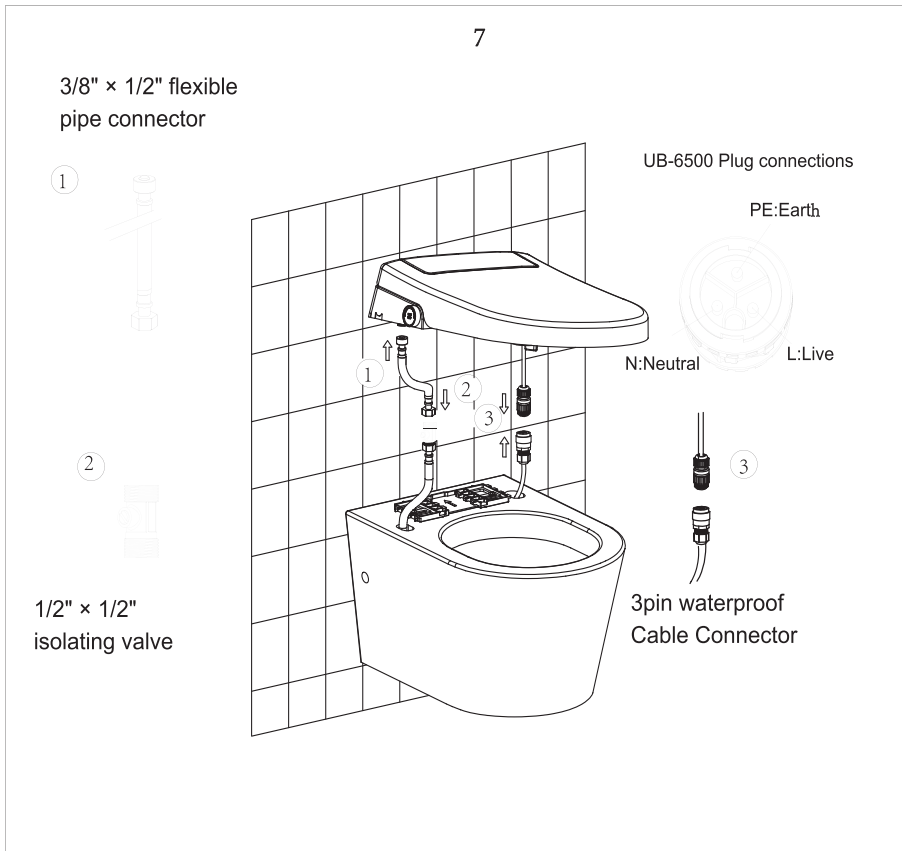
Bottom entry installation CCP / UB-6500BE



Refer to the toilet cistern installation instructions for completing the electrical and plumbing installation, and then the pan instructions before attaching the Bidet.



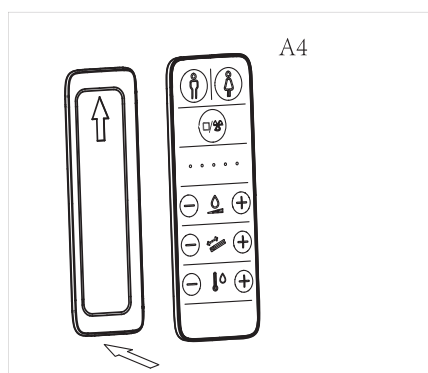
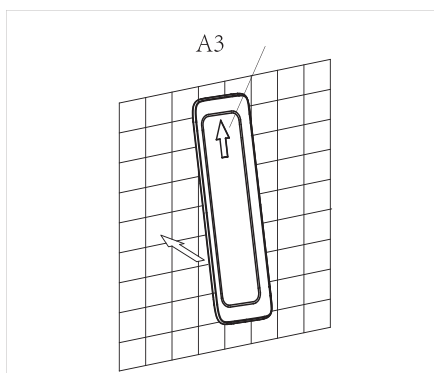
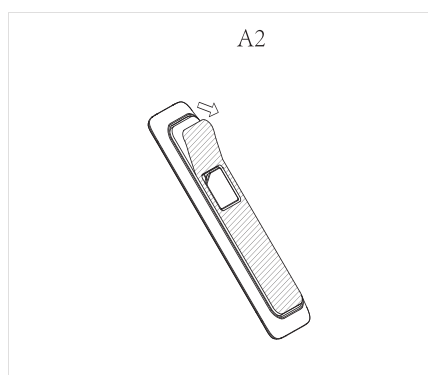
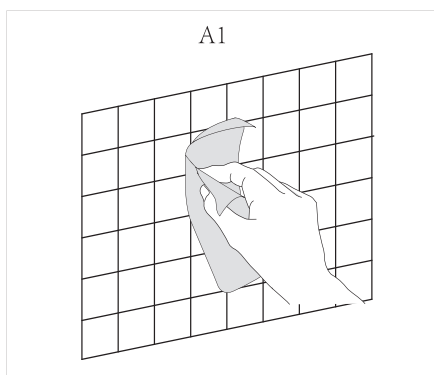
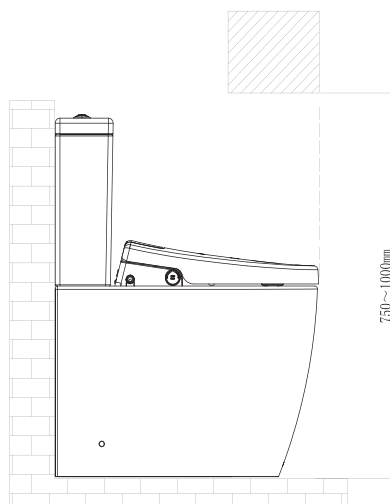
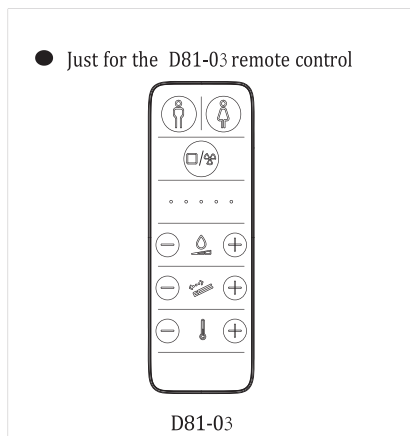
Bottom entry installation CCP / UB-6500BE



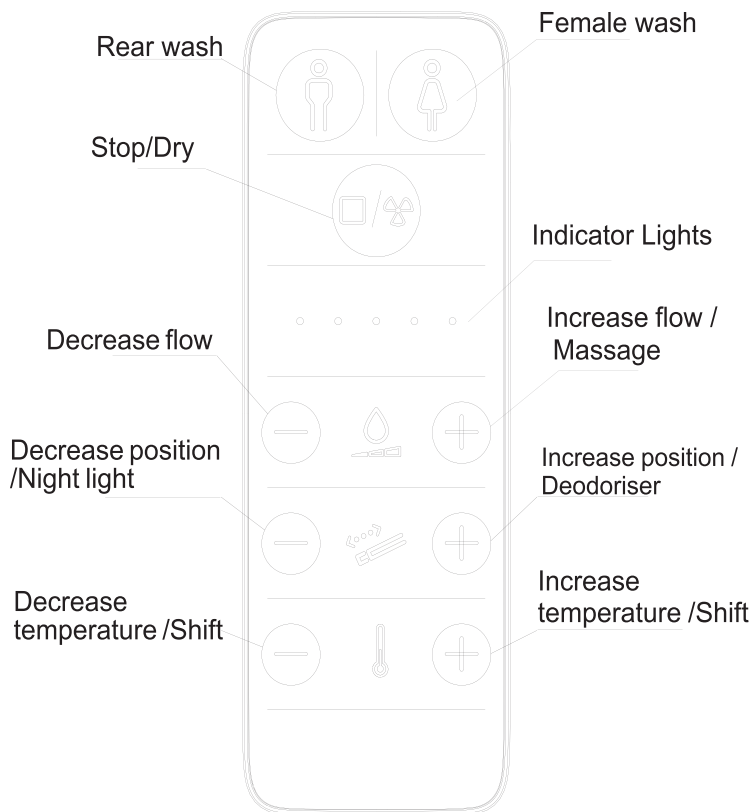
Refer to the user instructions for Bidet functions and operations.

Installing the remote

Recommended location for the remote

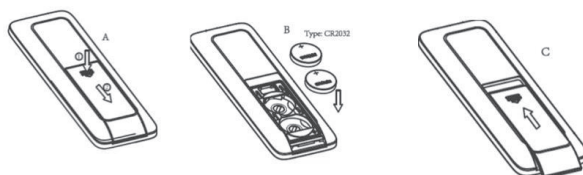


Remote control overview



FITTING / REPLACING BATTERIES

- Different types of batteries or new and used batteries should not be mixed together
- Batteries should be inserted in the correct polarity
- Flat batteries should be removed and disposed of safely
- If the appliance is not to be used for a long period, batteries should be removed



NOTE: Batteries are not included.
The remote requires 2 x 3v CR2032 good quality batteries.

When the light flashes continuously, the batteries need to be replaced

Function and operation

Rear wash / female wash

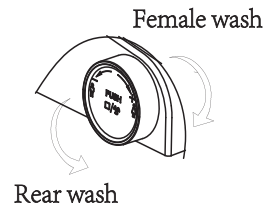
- **Be seated**

Press the "Rear wash" or "Female wash" button then it start to wash. It will stop after 3 minutes . You can stop washing during this period by pressing the "Stop" button on the remote control or press the knob on the body.



OR

You can operate by rotating the knob . Rotate the knob in the clockwise direction to activate "Female wash" and the anticlockwise direction for "Rear wash" . It will stop after 3 minutes and start to dry . You can stop washing before this by pressing the knob or the "Stop" button on the remote control.



Note:

While Rear wash or Female wash , it will wash at the fixed position for about 10 seconds , and movable wash for about 18 seconds , then regain to the fixed position until to the end .

Massage operation

- In the process of Rear or Female washing

Press the "Rear wash" or "Female wash" button on the remote control then it will start to oscillate . Press it again the washing will be on the diferent massage mode : pulsate , oscillate + pulsate.



Dry Operation

- Be seated

Press the "Air dry" button .It will stop after 3 minutes.

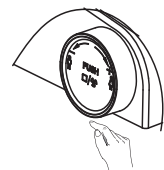


OR

- Be seated

- It is not in the process of Rear or Female washing

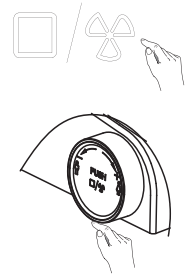
Press the knob then it start to dry . It will stop drying after 3 minutes.You can stop drying during this period by pressing the knob or press the "Stop" button on the remote control .



Stopping the operation

- In the process of Rear washing , Female washing or drying

Press the "Stop" button on the remote control or the knob on the body, it will stop washing or drying .



Adjusting the water flow rate / pressure

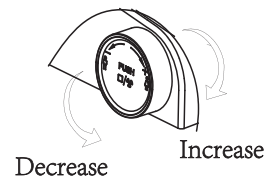
- Default 3rd
- In the process of Rear washing , Female washing or drying

Press the "+" or "-" button of flow on the remote control to adjust the flow rate . The indicator light of rate will be lighted up.



OR

You can operate by rotating the knob . The flow rate of water or air will increase in the clockwise direction and decrease in the anticlockwise direction .



Adjusting the nozzle position

- Default 3 rd
- In the process of Rear or Female washing

Press the "+" or "-" button of flow position on the remote control to adjust the nozzle position forward or backward.



Adjusting Temperature

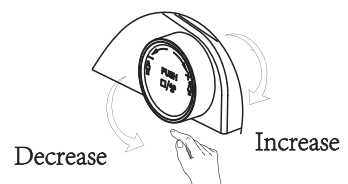
- In the process of Rear washing , Female washing , or drying

Press the "Temperature" button on the remote control then press the "Increase" or "Decrease" button to adjust the water temperature or air temperature . The lamp of step will be lighted up.



OR

Keep pressing the knob and rotate it. The water temperature or air temperature will be increased in the clockwise direction and be decreased in the anticlockwise direction .



Setting the Night Light

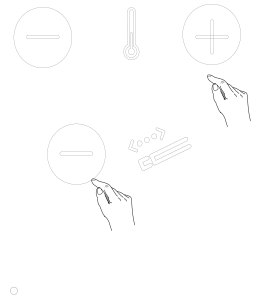
- Always on mode for the night light by default

Keep pressing the "+" or "-" button of temperature on the remote control ,then press the "-" button of position . Press it again the night light will be on the diferent mode just as "close", "always on", "smart".

Close mode : when one indicator light is on

Always on mode : when two indicator lights are on

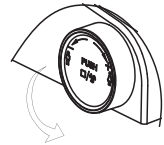
Smart mode : when three indicator lights are on



OR

- Open the cover and seat , not be seated

Rotating the knob in the anticlockwise direction. The night light will be on the diferent mode just as "close", "always on", "smart".



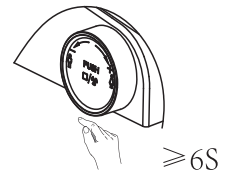
NOTE: The "smart" mode refers that the night light will light up in a dark environment and light off in a bright environment.

Setting stand-by power mode

- Close the cover

Keep pressing the knob for more than 6 seconds , it will go into power standby mode .

Press again the button for more than 6 seconds to restart it .



Setting the sound

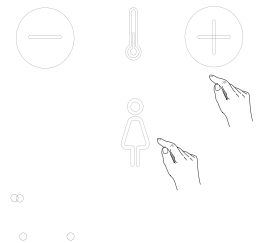
- The sound is on by default.

There is a BEEP when the bidet has received commands or signals

Keep pressing the "+" or "-" button of temperature on the remote control ,then press the "Female wash" button .Press it again the sound will be on or off.

off mode : when one indicator light is on

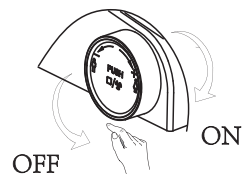
on mode : when two indicator lights are on



OR

- Not be seated

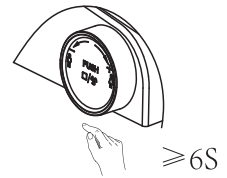
Keep pressing the knob then rotate it. The sound is "ON" in the clockwise direction and "OFF" in the anticlockwise direction.



Pausing breathing lamp setting

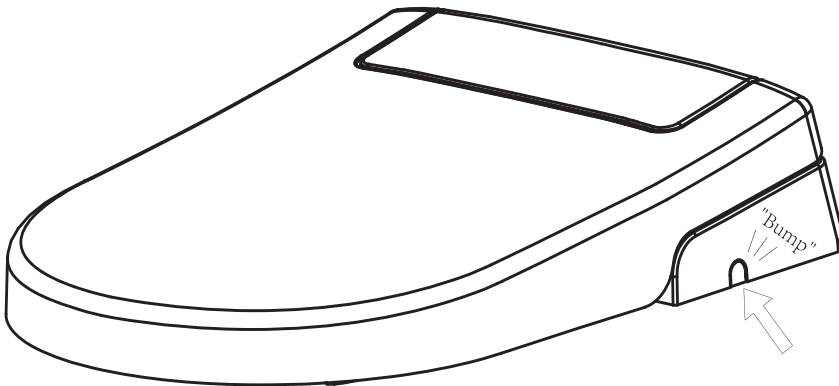
- Always on by default

Open the cover and be seated , without washing and drying , then always press the knob for 6S .The breathing lamp will be lighted off . It will be lighted up again when pressing the knob for 6S .



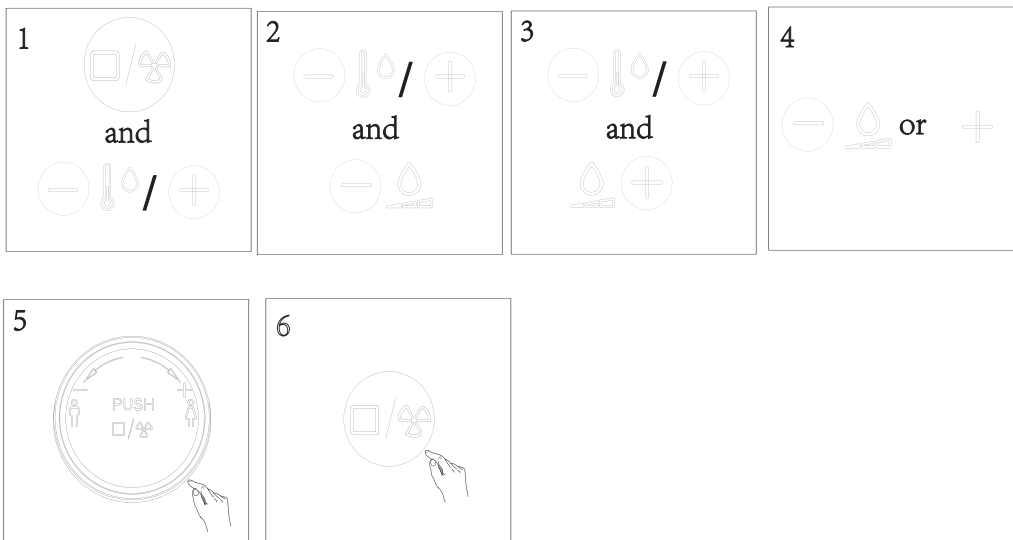
Resetting the Thermostat

- If the device is stored in a high temperature environment (such as room temperature exceeds 45 degrees Celsius), it is necessary to do as follows. Otherwise the washing water may not heat up.



One to One setting

- Install several electronic bidets in the same area, if you want each remote control to control the specified electronic bidet, please complete setting as per following steps.
 - Open both cover and seat and without seating. Set the night light to the "close" model (just see the "Light setting").
1. Keep pressing the "stop" button and "shift" button of adjust temperature on the remote control at the same time for a few seconds, then hear the "beep" from the product and meanwhile the indicator light of first steps flicks.
 2. Release the "stop" button, but keep pressing the "shift" button.
 3. Press the "-" and "+" of the flow in order, and then release the "shift" button. At this time, the lighted indicator is the current ID code of product, and the 5th step light always flicks.
 4. By pressing "-", "+" buttons of the flow to change different product ID code with corresponding indicator lights up. There are 10 ID codes in total. It is on the first code by default and the first step light lights up.
 5. Press the knob of body.
 6. Press the "stop" button on the remote control.



Care and Cleaning

- General care and cleaning recommendations

Maintaining interval	Maintaining activity
Daily	Remove water drops with a soft , lint-free cloth to avoid limescale stains
Weekly	Clean all surfaces and corners .Clean the spray nozzle if required.
Every half year	Replace the filter if required.

- Cleaning agents and tools



soft cloths ,lint-free cloths



mild cleaning agents that are kind to the skin.



Do not use the cleaning agents of strong acid and alkali
To clean the E-bidet , do not use the hard brush .e.g. toilet brush nylon brush To clean the WC ceramic appliance ,do not use the matal brush

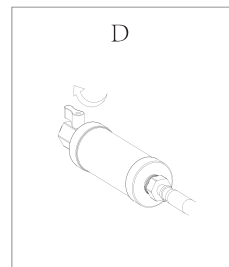
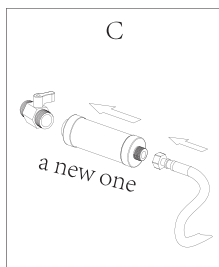
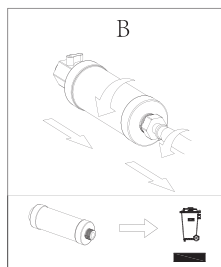
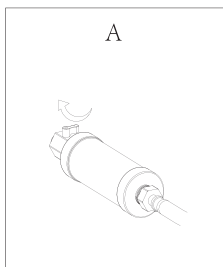
Tank self-cleaning



If the unit has not been used for more than 72 hours, when the user is seated after this ,it will open the self- cleaning for mode for about 3 minute. All the buttons are invalid during the self-cleaning and it will return to normal after the self-cleaning

Replacing the OPTIONAL water filter where fitted

- The filter has a service life of half a year . This is depended on the environment of water. The filter should be replaced when the wash flow is too small .



Descaling the Device

- You will need to descale the device at least once a year ,or more often depending on the number of shower cycle and the water quality environment .
- During the descaling procedure , you can continue to use the toilet without the shower functions.
- The descaling procedure lasts up to 30 minutes. During this time , the LED light of knob will always flashes . Once the LED stop flashing and resume breathing light , the spray functionality is once again ready for operation .
- Please use the descaling agents of less foam.

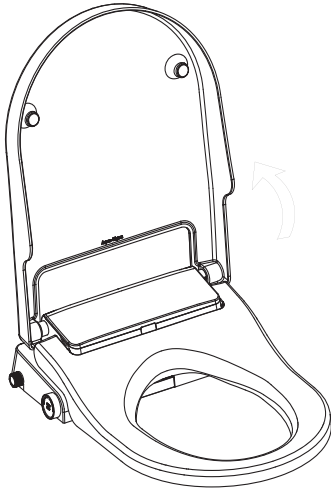


Notice

Potential damage to the body and the device from aggressive descaling agents .

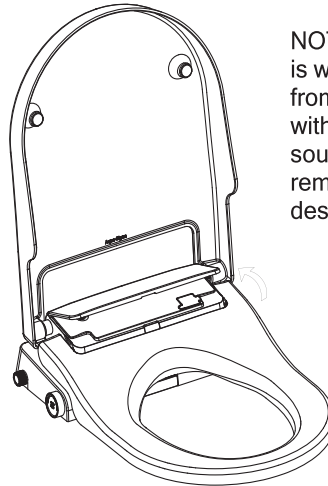
1

Open the cover .



2

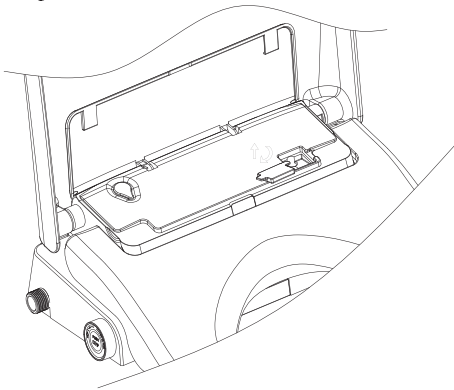
Open the descaling cover .



NOTICE: There is water flowing from the nozzle with a beeping sound is a reminder to descale the unit

3

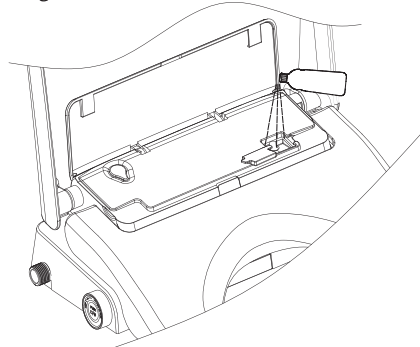
Open the rubber cover .



4

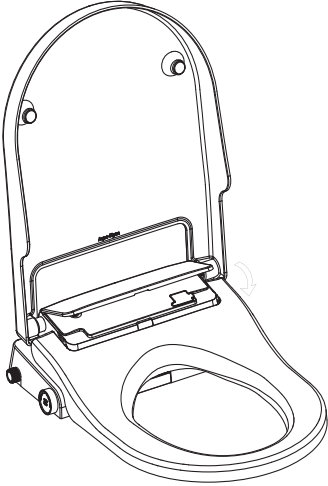
Pour descaling agents .

Dosage: about 150mL



5

Close the rubber cover and descaling cover .



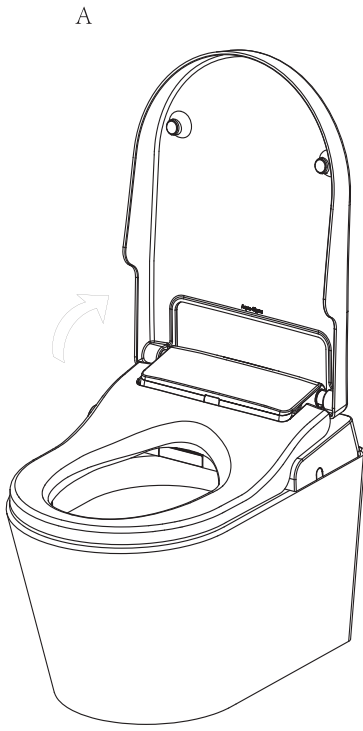
6

Close the rubber cover and descaling cover.

Then it will start the descaling procedure. During the descaling procedure , you can continue to use the toilet without the shower functions .

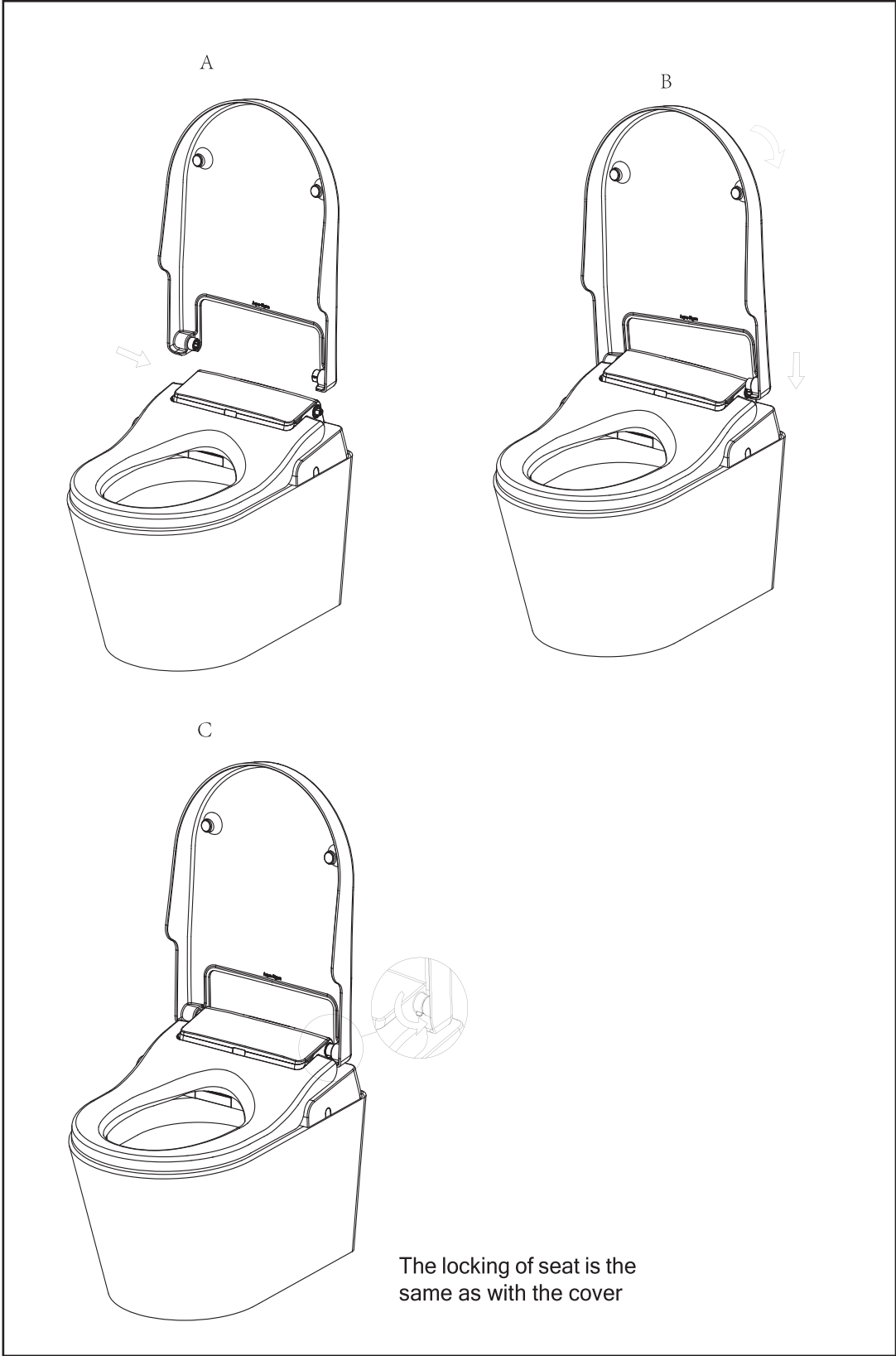
It will last for about half an hour .During this time the LED of knob will be flashed . Once the LED stop flashing and resume pulsating breathing light ,and with a long "beep" , the spray functionality is once again ready for operation .

Releasing the Seat and Cover



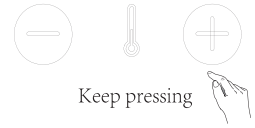
Removal of the seat is the same as for the cover

Refitting the Cover and Seat

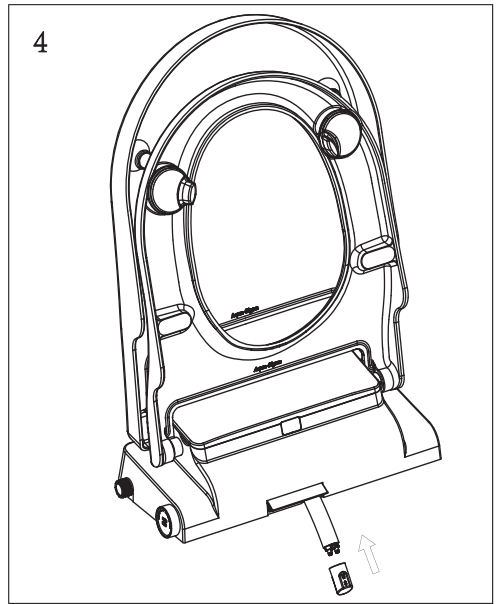
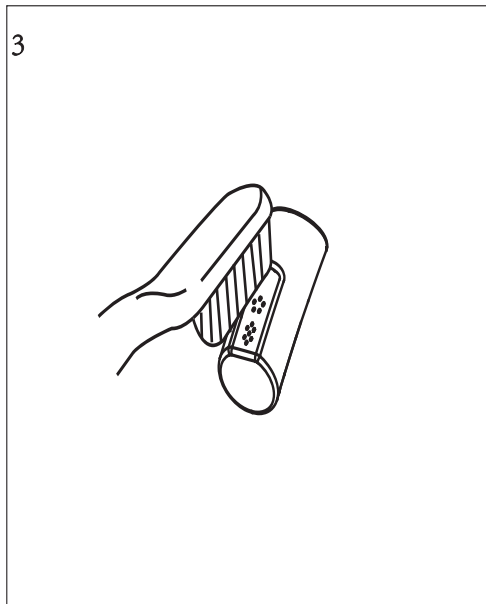
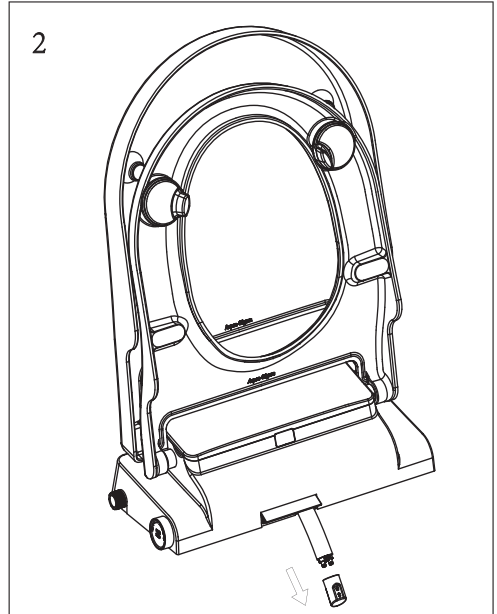
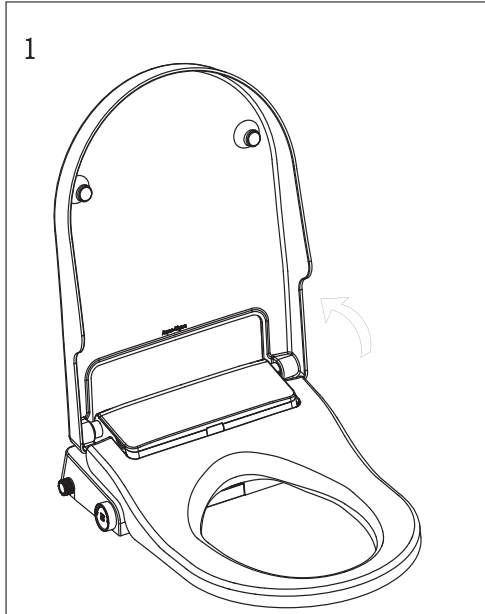
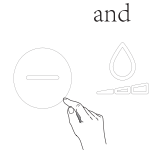


Nozzle cleaning

- The nozzle will be cleaned before washing and after washing .
- In non-working state



Keep pressing the "-" or "+" of temperature on the remote control , and press the "-" of flow , or open the cover and seat then rotate the knob in the clockwise direction , then the nozzle will extend and keep flowing. Then take out the nozzle and clean it, install it back after clean the nozzle . It will go back after 5 minutes or press the " STOP " button .



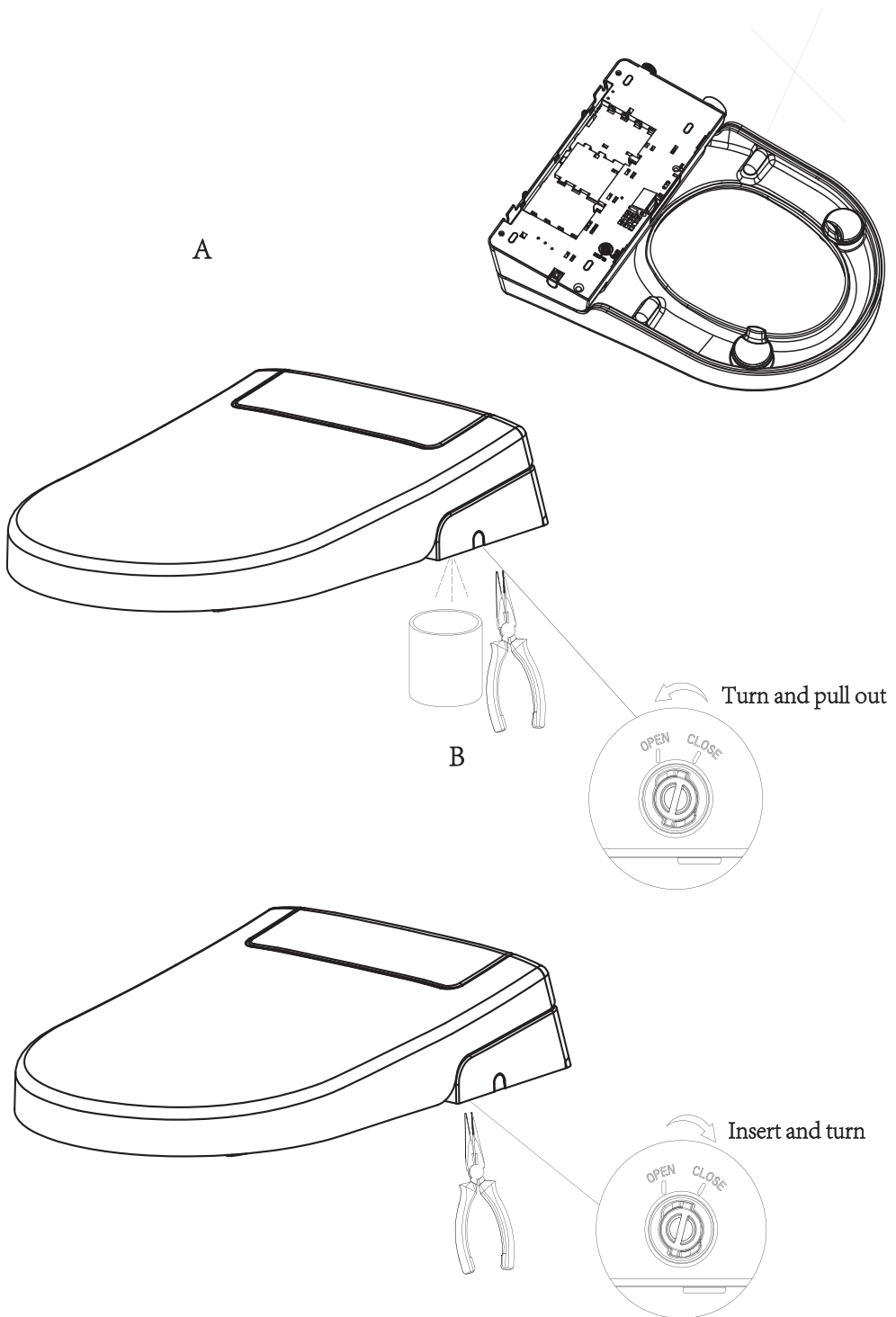
Troubleshooting guide

Problem	Potential cause	Suggested action
The washing can not work	1. The power supply may not be opened	Please turn on the power
	2. The water supply may not be opened	Please open the inlet water valve, or check if there is a water outage
	3. The filter (if has) may be blocked	Please replace a new filter .It has a service life of approx. half a year
	4.Maybe not in the seating state	Please sit on the seat and adjust sitting position
	5.Maybe the cover is closed	Please open the cover and sit on the seat
	6.Maybe it is not used for more than 72 hours	Not used for more than 72 hours ,when the user sit down ,it will execute the self-cleaning for about 3 minutes. All the buttons are invalid during the self-cleaning and it will return to normal after the self-cleaning
The nozzle goes back suddenly	1.The washing cycle is 3 Minutes at Constant temperature mode and 1 minute at Gradual cooling	This is normal and please re-press the "wash" button to start washing again
	2.There may be some problems of water supply	Please check if there is a water outage
	3.Maybe the seated sensor detects the user left the seat	Please adjust sitting position
	4.Maybe the cover is closing	Do not put down the cover when it is washing
Low water flow rate	1.The water flow rate may be set at low grades	Please increase the flow rate as per "adjusting water flow rate" of instructions
	2.The water supply pressure may be too low	Please check and ensure the water supply pressure is ≥ 0.5 bar (dynamic pressure)
	3.The filter (if has) may be blocked	Please replace a new filter .It has a service life of approx. half a year
	4.The nozzle may be blocked	Please replace a new nozzle
Low water temperature	1.The water temperature may be set at low grades	Please set the water temperature at high grade as per "adjusting temperature"of instructions
	2.Maybe the temperature of water supply is too low	Please set the water temperature at high grade as per "adjusting temperature"of instructions, or decrease the flow rate as per "adjusting water flow rate" of instructions
	3.Maybe the thermostat of water is off	Please reset the the thermostat of water as per "Resetting Thermostat"of instructions
The nozzle comes out slowly	When start washing function, the nozzle will be self-cleaning before coming out, and this will take several seconds	This is normal
The water flows out but the nozzle do not come out	1.When start washing function,the nozzle will be self-cleaning before coming out .When the washing is over ,also have this feature	This is normal
	2.Maybe it is not used for more than 72 hours	This is normal. Not used for more than 72 hours , when the user sits down , it will open the self-cleaning for about 3 minutes
The dryer can not work	1. The power supply may not be opened	Please turn on the power
	2.Maybe not in the seating state	Please sit on the seat and adjust sitting position
	3.Maybe the cover is closed	Please open the cover and sit on the seat
	4. Maybe it is not used for more than 72 hours	Not used for more than 72 hours ,when the user operates the washing ,it will open the self-cleaning for about 3 minutes. All the buttons are invalid during the self-cleaning and it will return to normal after the self-cleaning
Low air temperature	1.The air temperature may be set at low grades	Please set the air temperature at high grade as per "adjusting temperature"of instructions
	2.The air heater can not work normally	Please contact local distributor
Night light is always off	1.Maybe in the bright environment.	When the night light is set at smart mode,the night light will not work when in the bright environment.
	2.The night light function may be closed.	Please open the night light function and adjust the night light mode as per " Setting Night Light" of instructions
Night light is always on	1.Maybe in the dark environment.	When the night light is set at smart mode,the night light will be always on when in the dark environment
	2.Something may be covered around the knob.	Recover the obstructions around the knob
	3.The night light may be set at always on mode	Please adjust the night light mode as per "Setting Night Light " of instructions
The nozzle goes back automatically when manual cleaning	1.The nozzle goes back after washing 5 minutes.	This is normal
	2.Maybe press the "stop" button	The manual cleaning will be stopped if press the "stop" button on the remote control.
The remote control is not function	1.Maybe there are not batteries in the remote control	Please install the correct batteries in the remote control
	2.Maybe the battery power is too low	When the battery power is too low the LED of grade will flash.Please replace the batteries
	3.Maybe the code of the bidet and remote control is not the same	Please set the code of the remote control to the correct one .See "One-On-One Setting"
There are BEEP sounds when the bidet is working	There is a short BEEP when you are sitting down , and a long BEEP when you leave. Also there is a short BEEP when the bidet has received commands.	This is normal. You can turn off the sound. See "Sound Setting"
The bidet can not work normally	Maybe there is something abnormal	Please shut off the power and turn on after one minute. If the bidet still cannot work, please contact local distributor
The light on the body flash 6 times with constantly BEEP	The water supply temperature may be too high	Please shut off the power and water supply, stop using the product, and then contact local distributor
	The light on the body continually flashing There may be something wrong with the product.	Please check if the electric power and water supply are normal, cut off the power and restart the product. If the bidet still cannot work, please contact local distributor

Draining the water tank



1. The water and power must be cut before you disassemble the E-Bidet
2. Do not invert or tilt it before you finish draining the water tank



Disposal



NOTICE

Do not dispose of electrical appliances as unsorted municipal waste, use dedicated collection facilities.

Contact your local authority for information regarding the disposal options available. If electrical appliances are disposed of in landfills or dumps, hazardous substances can leach into the groundwater and get into the food chain, damaging your health and well-being. When replacing old appliances with new ones, the retailer may be obligated to take back your old appliance for disposal.



Contact Us

Orders & Quotes

01442 843746

sales@bidet-shower.co.uk

General Enquiries

01442 843746

info@bidet-shower.co.uk

Technical Enquiries

01442 843120

info@bidet-shower.co.uk

Warranty

Warranty applies only to manufacturing or material defects, conditional on the one-time correct installation of the product. It does not apply to:

- Inappropriate use or accidental damage.
- Damage or defects that result from incorrect installation.
- Lack of maintenance including the build up of grime or damage resulting from inappropriate cleaning.
- Damage or defects that result from repairs or modifications undertaken by unauthorised persons.
- General wear and tear through usage and does not apply to surface finishes.

The warranty is two years for parts on the toilet pan and cistern and 2 years part and labour for manufacturing occurring on the bidet engine

Warranty period starts from the date of purchase. If a manufacturing defect occurs during the warranty period, on the cistern we will ship replacement parts, if a manufacturing defect occurs on the bidet engine it the responsibility of the customer to ship or bring the unit to our workshop

See the T&Cs on our website for further information.

What to do if something goes wrong?

In the event that you encounter a problem with this product, follow the trouble shooting guide if applicable, then contact your local installer. If the issue is still unresolved, contact our Technical enquiries who will provide further advice. None of the foregoing affects your statutory rights.



