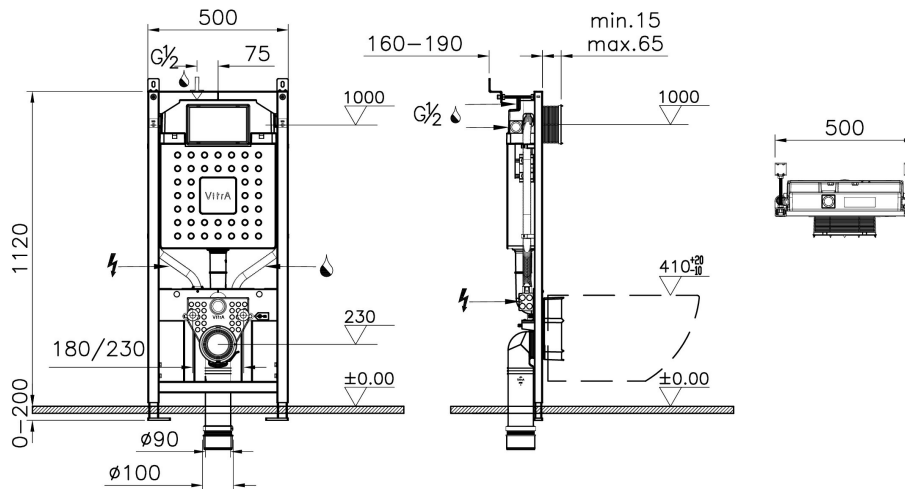


Name	V12 Concealed Cistern WC Frame for wall-hung WC pans, 12 cm
Collection	V12
Height	1102
Width	500
Designer	VitrA Design Team
Certificate	WRAS
Guarantee	10 year
Mounting type	Wall and Floor Mounted
Recommended Minimum Pressure	Min:0.5-Max:10Recommended(1-5)
Installation Type	07
Brand	VitrA
Driver IP	0



Product Code: 762-5805-01

Description



VitrA reserves the right to make changes in products and technical details without prior notice.

All drawings contain the necessary measurements which are subject to standard tolerances. For exact measurements, in particular for customized installation scenarios, it can only be taken from the finished ceramic product.