

Aqua-Sigma

Installation and User Guide

Models: CCP-6600-CH - CCP-6600-SH
UB-6600-SE



Please read all instructions before installation and leave this document with the end user for future reference as it contains important warranty information

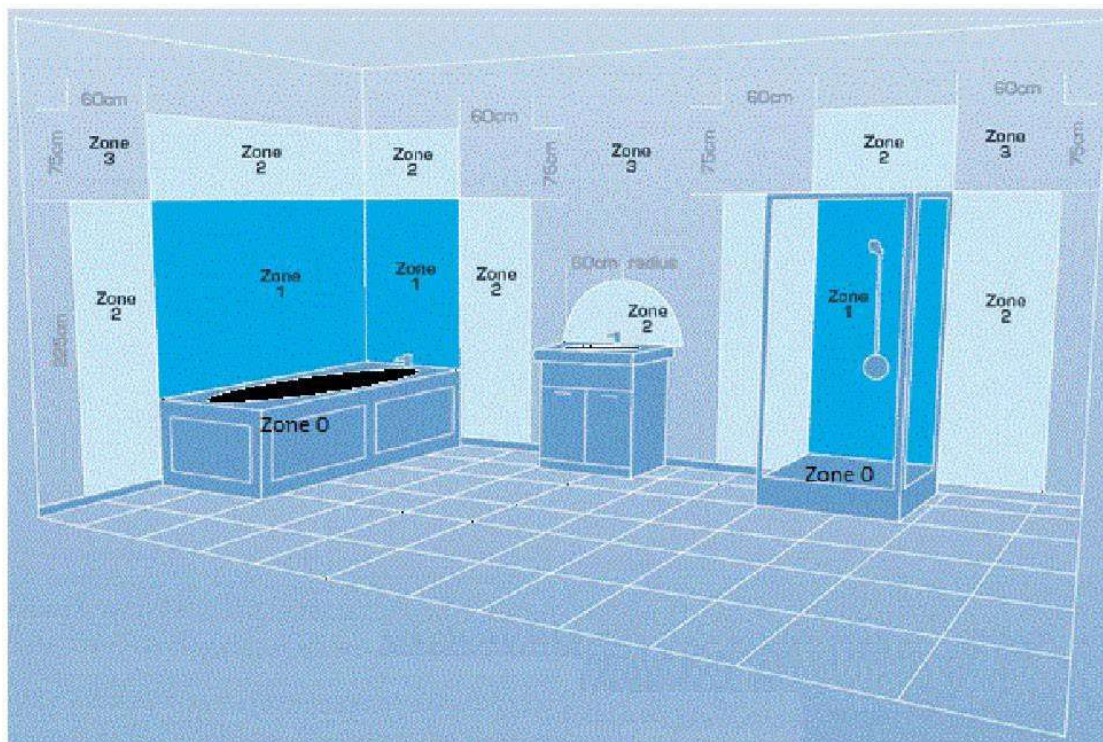
SAFETY INFORMATION	3
ZONING REGULATIONS	4
PARTS LIST	5
TECHNICAL SPECIFICATION	6
SEAT & PAN DIMENSIONS	7-8
SEAT FUNCTIONAL OVERVIEW	9
SIDE ENTRY INSTALLATION UB-6500SE	10
BOTTOM ENTRY INSTALLATION CCP / UB-6500BE	12
INSTALLING REMOTE CONTROL	14
FUNCTION AND OPERATION	15 -17
NOZZLE CLEANING	18
DRAINING THE TANK	19
REMOTE CONTROL FEATURES	20
REMOVING THE LID / SEAT	21
REPLACING THE LID / SEAT	22
REPLACING REMOTE BATTERIES	23
TROUBLE SHOOTING	24-25
CLEANING & RESETTING THE UNIT	26
CONTACT / COMPLIANCE / WARRANTY	27

Safety Information

- This manual must be read and fully understood before installing or using the appliance.
- This product must not be operated without a connected water supply, it must not be inverted and must be fitted to the toilet in the correct orientation and water supply turned on PRIOR to switching the power supply on
- Installation must be in accordance with all relevant local regulations applicable at the time of installation.
- It must be installed by a qualified professional to in accordance with BS 7671.
- If electrical work is carried out within the bathroom which involves addition or alteration of existing circuits , it may be notifiable to your local building control department (Part P). If unsure, professional advice should be sought.
- The toilet must be fitted in accordance with the Water Supply (Water Fittings) Regulations and Water Supply (Water Fittings) (Scotland) Byelaws.
- If the power cable is damaged it must not be connected to the power until it is replaced .
- The toilet must be fitted in a well-ventilated bathroom.
- The toilet must not be sprayed with liquid, or placed in a position it is likely to be sprayed.
- The toilet must not be installed in a location where it may be subject to high temperatures.
- The toilet must be stored in an upright position before installation.
- Do not over bend or kink the water supply hose as this could cause leaks
- Only use this product for its intended use. Only use attachments recommended by the manufacturer.
- Do not use this product in an outdoor environment.
- Children and people with limited physical, sensory or capabilities must be supervised when using this device or have been told the proper procedure for use beforehand.
- Do not climb or stand on the toilet.
- If the product is not working properly, disconnect from the mains and close the water supply valve immediately before contacting the supplier or a qualified professional.
- This is a Class I electrical appliance and must be correctly earthed. Make sure the earth cable is connected first during the electrical connection.
- In case of any damage to the supply cable, you must arrange for a certified and qualified electrician to replace the cable for you.
- This appliance is designed for fixed connection to a compliant power supply. Connecting this appliance to the power supply must be performed by a qualified Part P qualified electrician.
- Incorrect repairs are dangerous. Repairs must only be carried out by trained and qualified engineers.

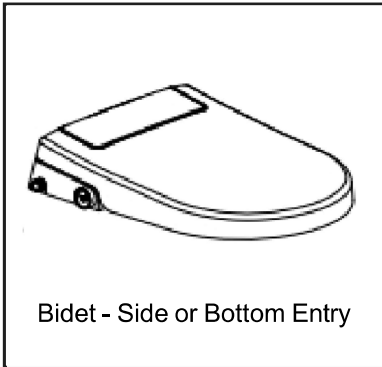
Safety Information

- The Supplier and Manufacturer are not responsible for any injury and/or damage caused by incorrect installation, maintenance or operation of the product.
- Do not force the soft close toilet seat down as this may damage the mechanism.
- A defective appliance may cause electric shock. Never switch on a defective appliance. The power must be disconnected before seeking assistance.
- This product is IPX4 rated, and so no part of the installation is allowed to be within bathroom Zones 0 or 1. Installation is permitted within Zone 2 and outside of the bathroom zones as long as it is not in a position where it is likely to be sprayed with water.

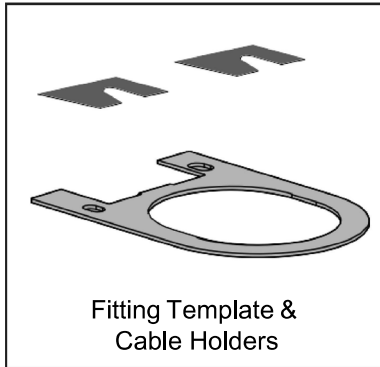


Zone 0:	The interior of the bathtub or shower basin.
Zone 1:	The area around the bathtub or shower basin up to a height of 2.25m above the floor
Zone 2:	The area stretching to 0.6m outside the bath or shower and above the bath or shower if over 2.25m

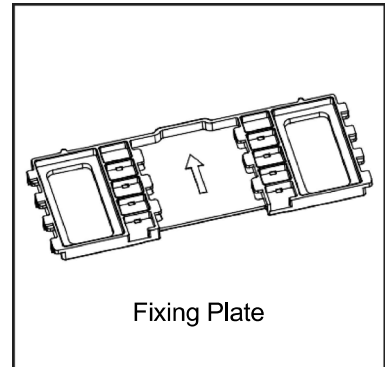
Parts list



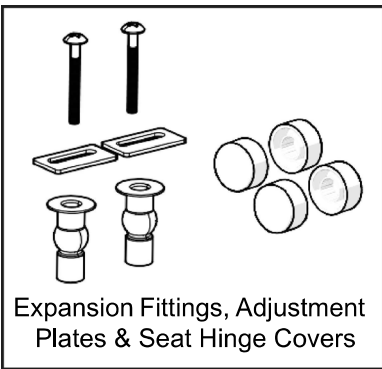
Bidet - Side or Bottom Entry



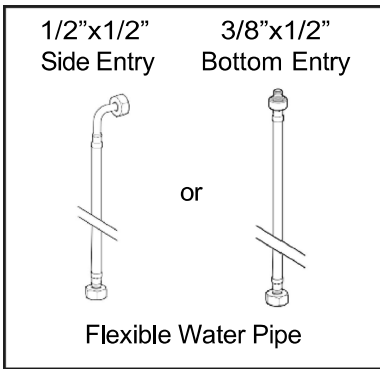
Fitting Template & Cable Holders



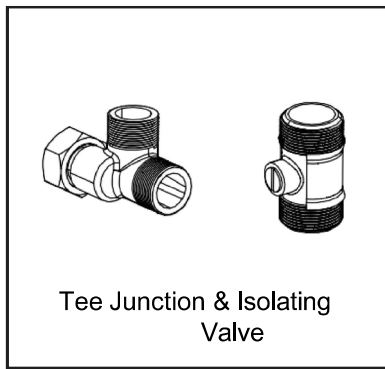
Fixing Plate



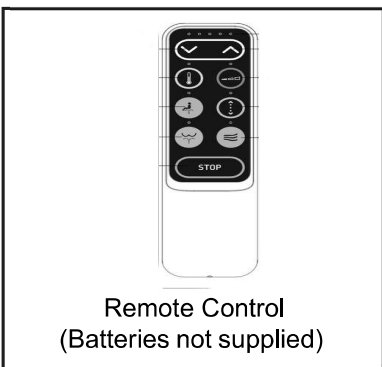
Expansion Fittings, Adjustment Plates & Seat Hinge Covers



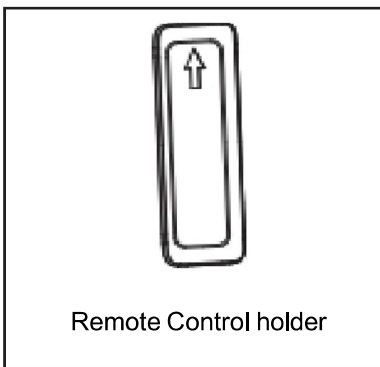
Flexible Water Pipe



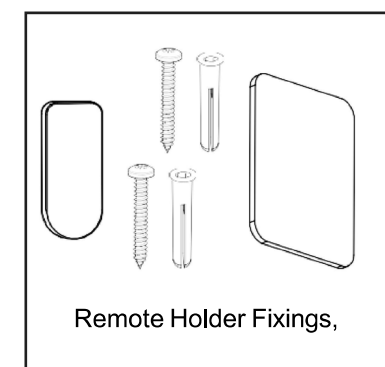
Tee Junction & Isolating Valve



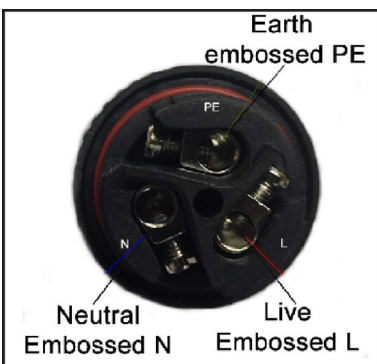
Remote Control
(Batteries not supplied)



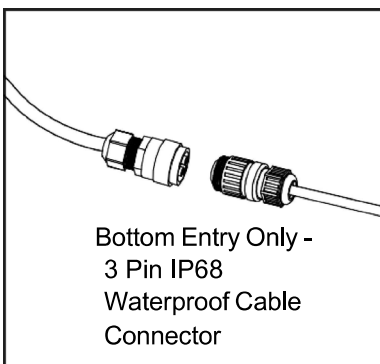
Remote Control holder



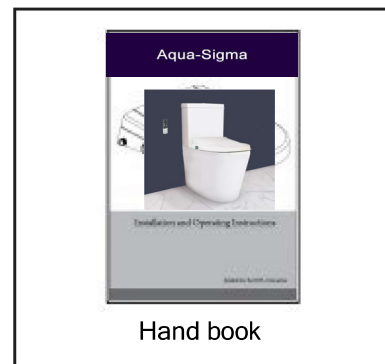
Remote Holder Fixings,



Earth embossed PE
Neutral Embossed N
Live Embossed L



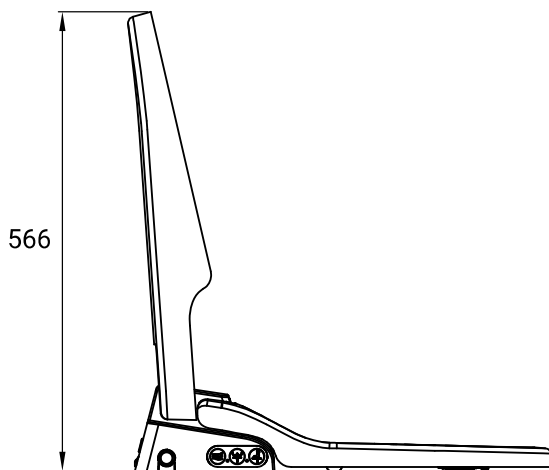
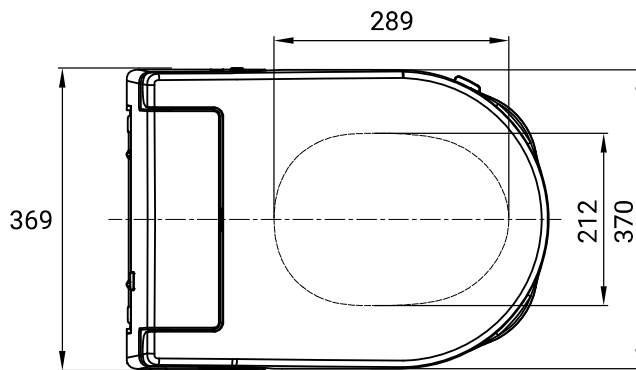
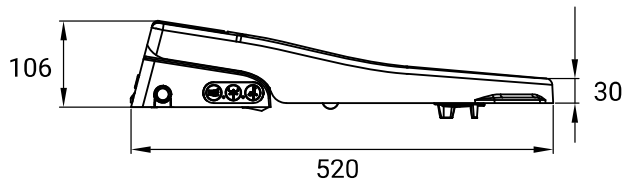
Bottom Entry Only -
3 Pin IP68
Waterproof Cable
Connector



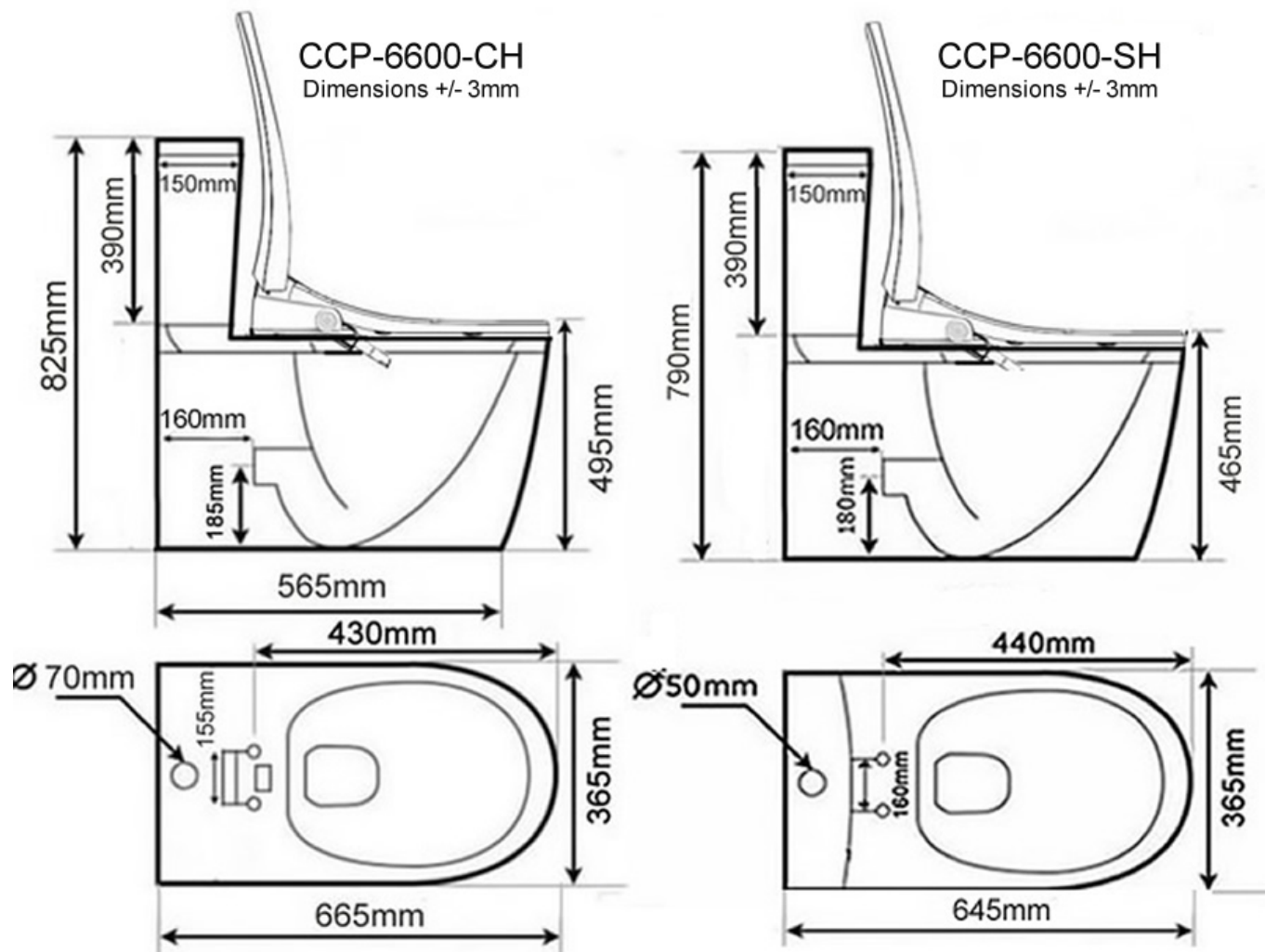
Hand book

Wash	Rear Wash Female Wash Oscillating Spray Pulsating Spray Oscillating and Pulsating Spray Adjustable Water Temperature Temperature Modes Adjustable Flow Rate Adjustable Spray Position	Yes Yes Yes Yes Yes 6 Levels (Default 4th) Constant Temperature (Default) and Gradual cooling 5 Steps (Default 3rd) 5 Steps (Default 3rd)
Warm Air	Air Drying Adjustable Dryer Temperature Adjustable Dryer Rate	Yes 6 Levels (Default 3rd) 5 Steps (Default 3rd)
Hygiene	Nozzle Auto Cleaning Nozzle Manual Cleaning	Yes Yes
Features	Night Light Soft Closing Seat and Cover Quick Release Seat and Cover Side Buttons Remote Control	Yes Yes Yes Yes Yes
Specification	Water Supply Connector Water Supply Direction	G 1/2" / G 3/8" Side Entry / Bottom Entry
	Water Supply Pressure (Standard) Water Supply Temperature Rated Voltage Power Rating Length of Power Cord Ambient Temperature Protection Degree Maximum Weight Loading Dimension of Seat	Min 0.5 (dynamic)~Max 8 (static) Bar 4~30°C AC230V, 50Hz 1750W approx. 1.5m 4~40°C IPX4 150kg 520 x 370 x 106mm
Wash Device	Flow Rate (Standard) Flow Rate (Low) Water Temperature Wash Cycle Time Heating Mode Safety Device Back Flow Prevention	600~1000mL/min 450~650mL/min 31~39°C 2 minutes at constant temperature Tank / Element Thermal Fuse\Liquid Level Switch\Thermostat Air gap
Dry Device	Minimum Air Volume Maximum Dryer Power Warm Air Temperature Dry Cycle Time Safety Device	0.2m ³ /min 350W 40~52°C 3 minutes Thermal Fuse/Thermostat
Remote Control	Frequency Maximum RF Output Power Type of Batteries	~2460MHz 0dBm 2x 1.5V LR03 AAA (not included)

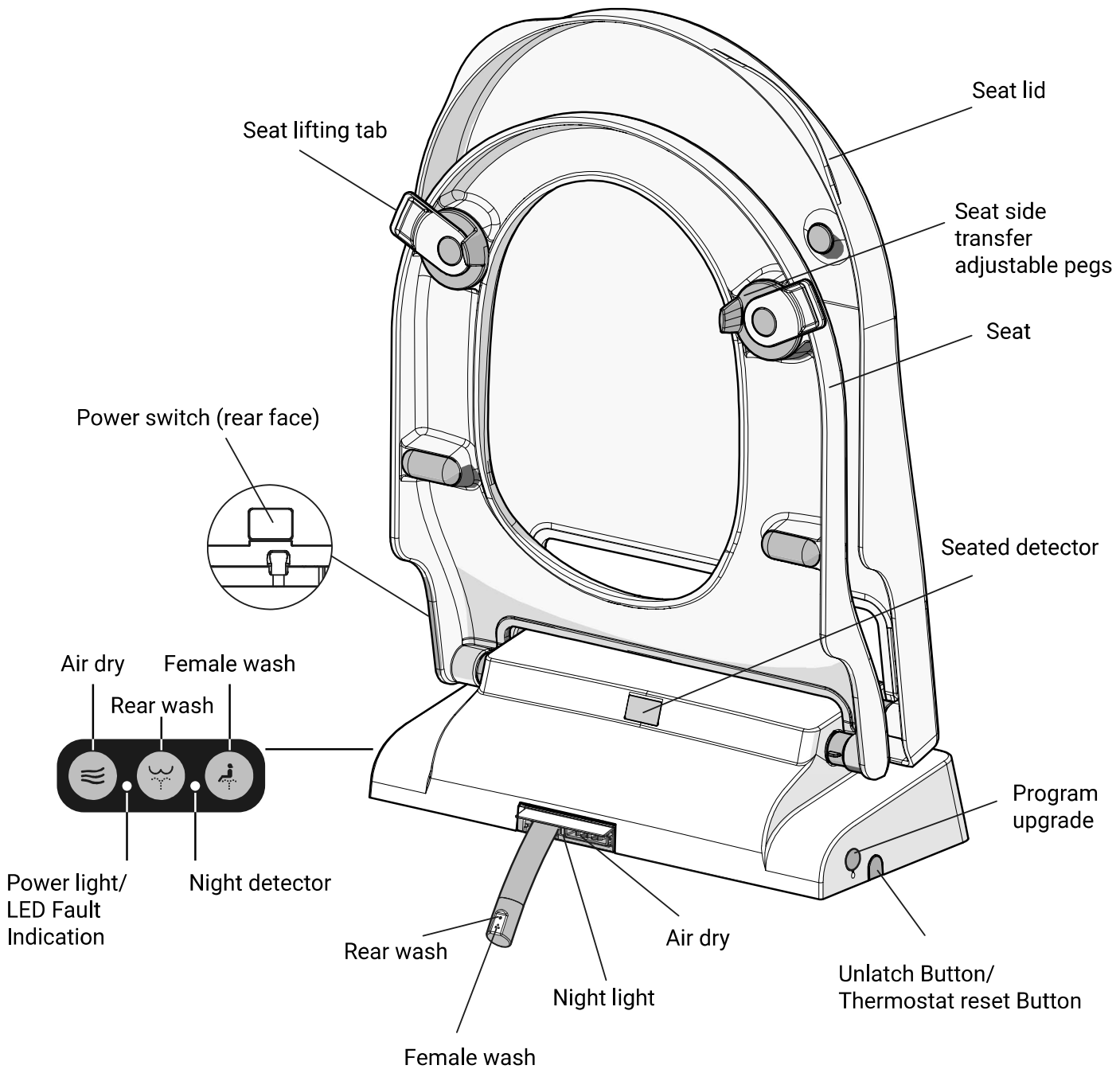
Dimensional drawing UB-6600 Seat



Dimensional drawing CCP-6600 Pans



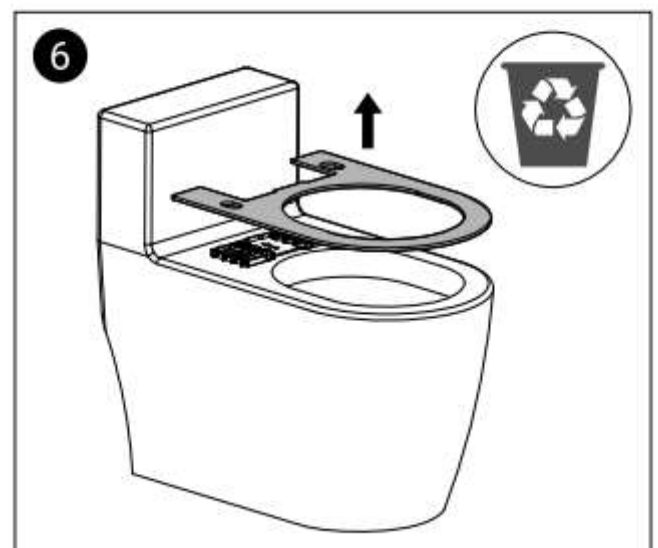
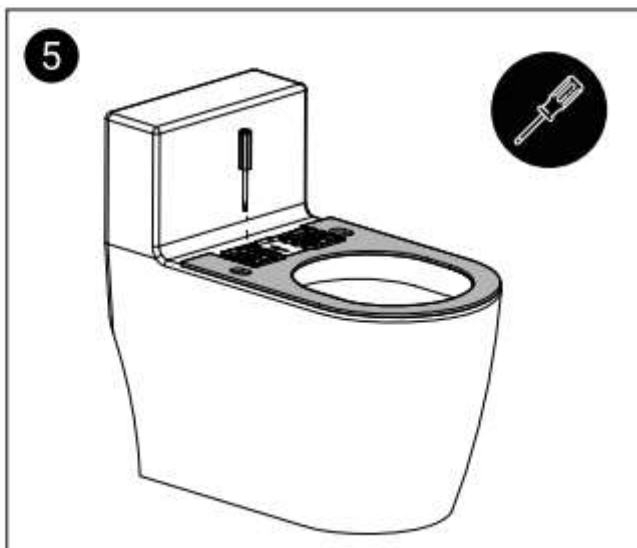
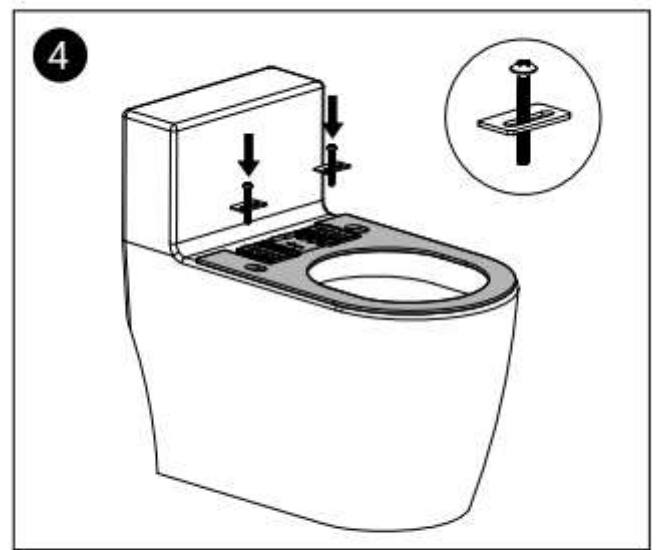
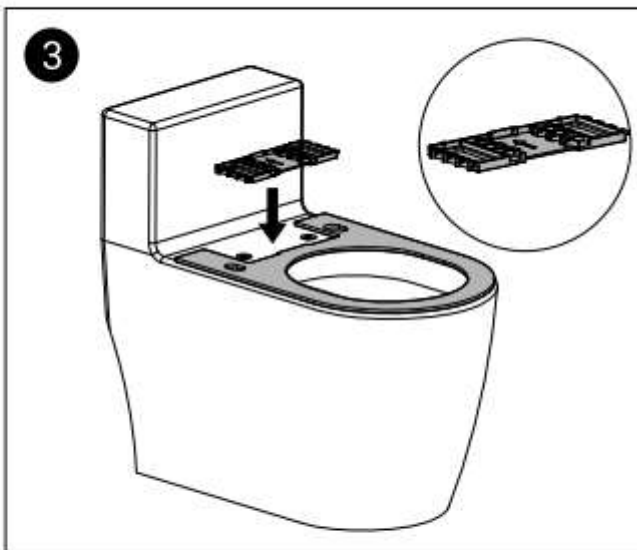
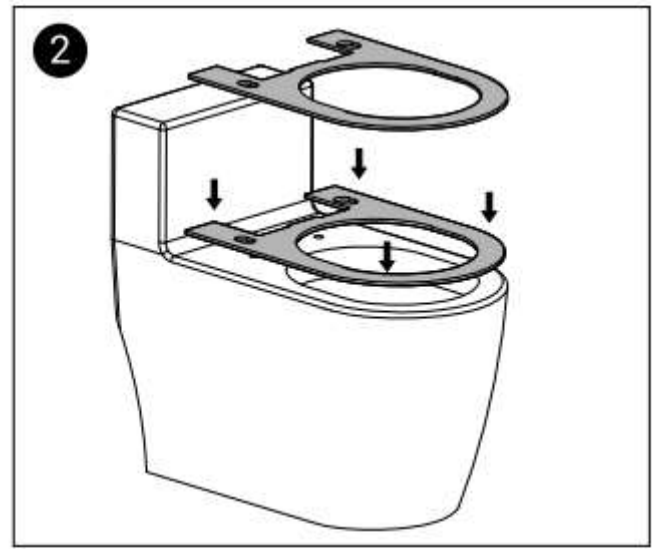
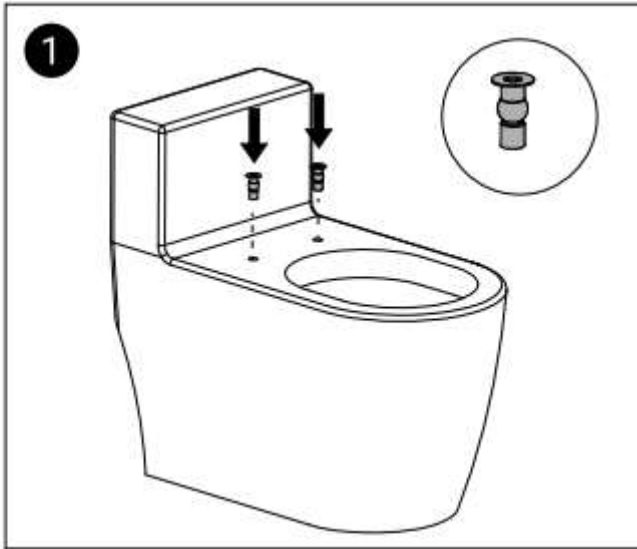
Seat functional overview



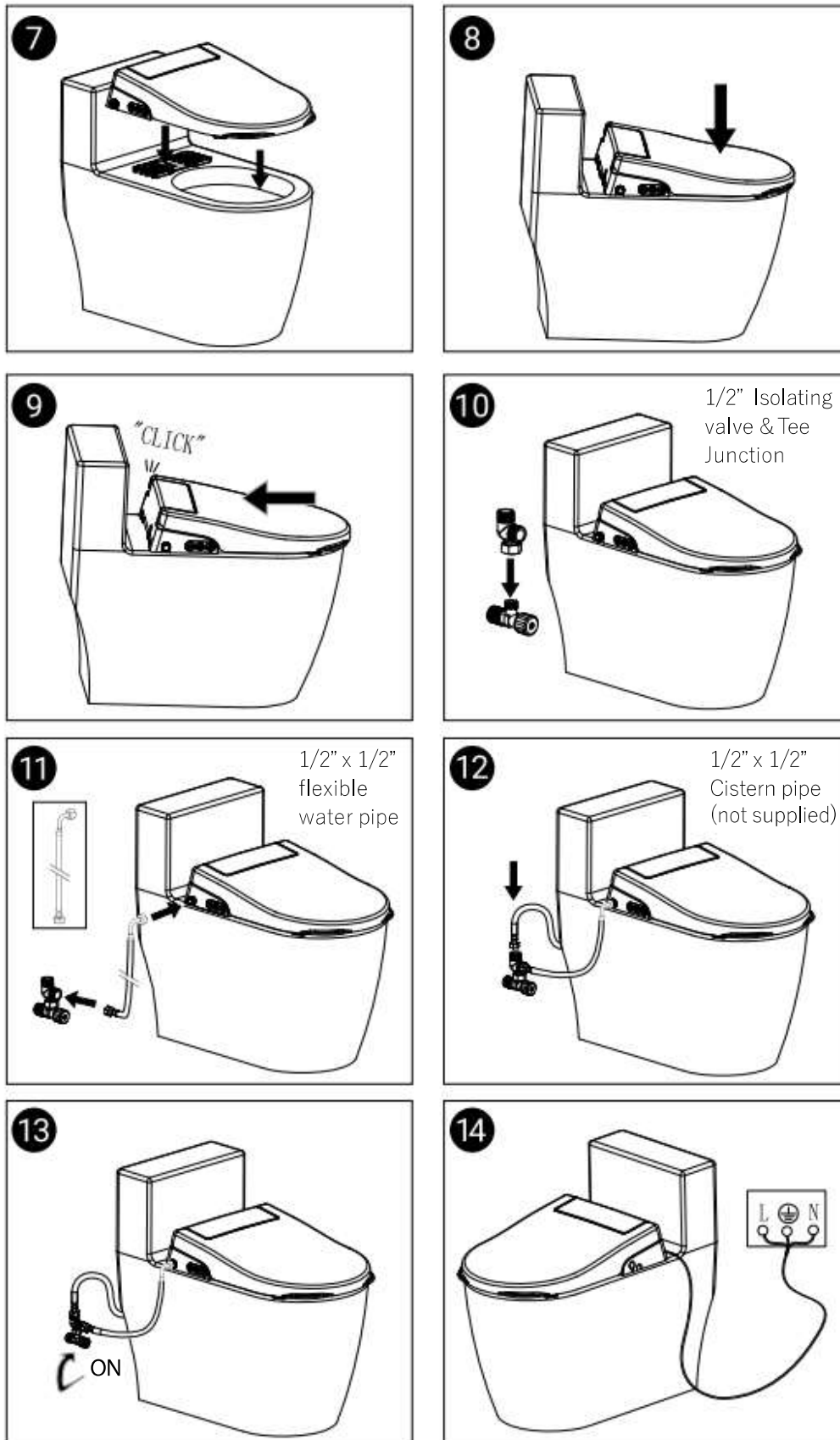
Side entry installation UB-6600SE



Caution: Ensure that the power supply is turned off at the mains supply and the water is turned off at the isolation valve.



Side entry installation UB-6600SE

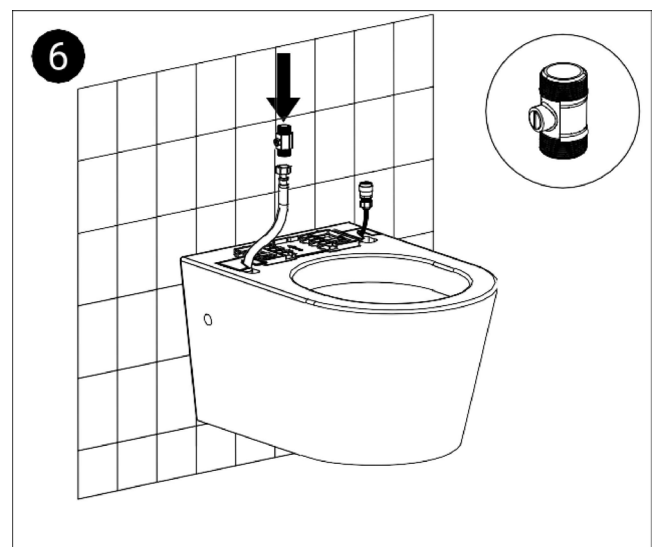
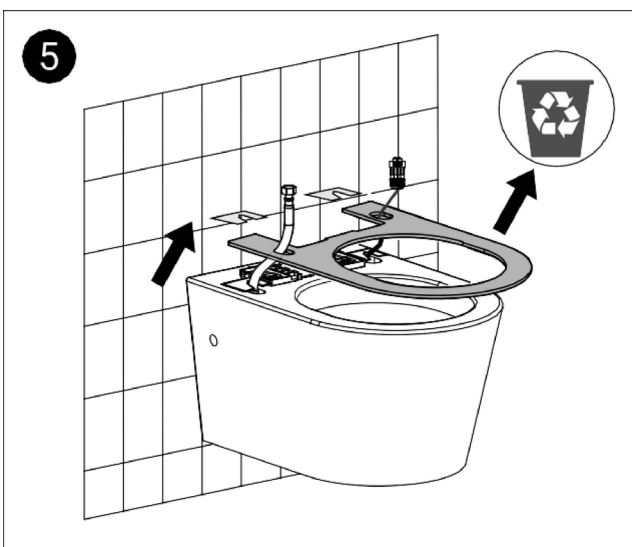
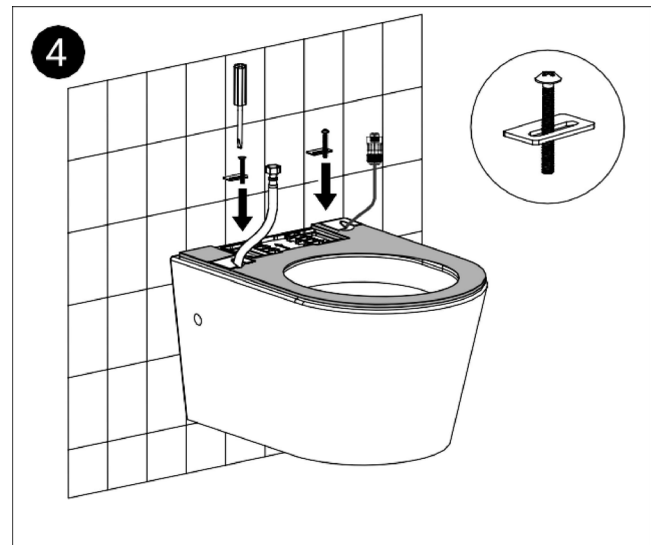
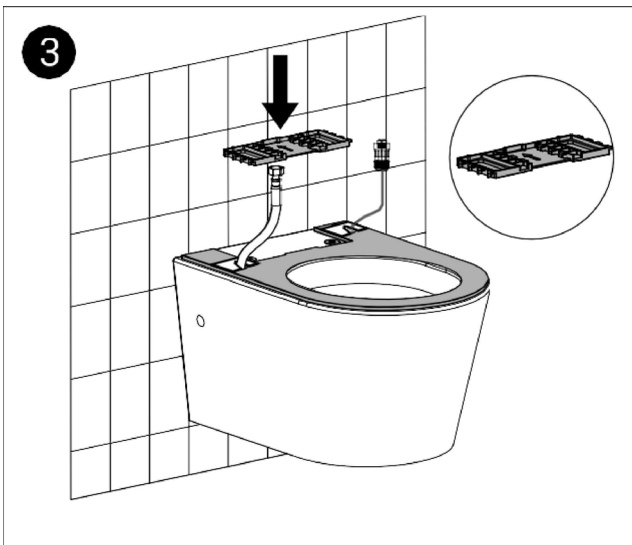
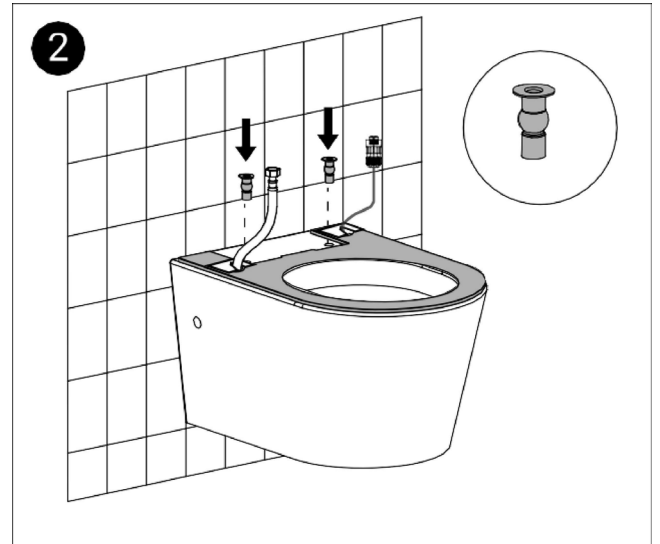
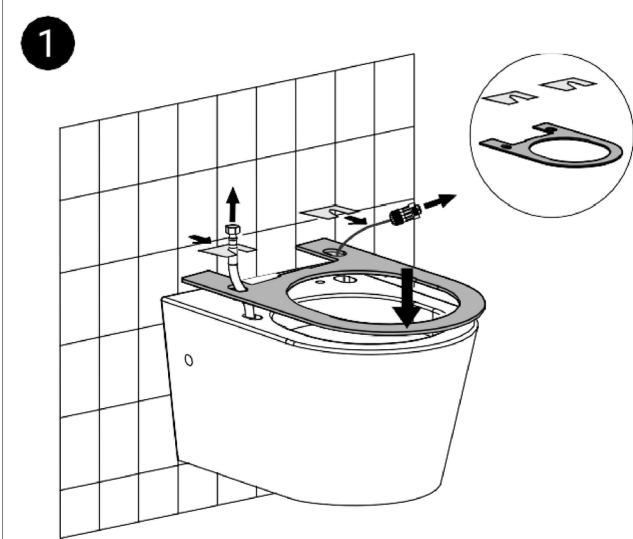


Refer to the user instructions for Bidet functions and operations.

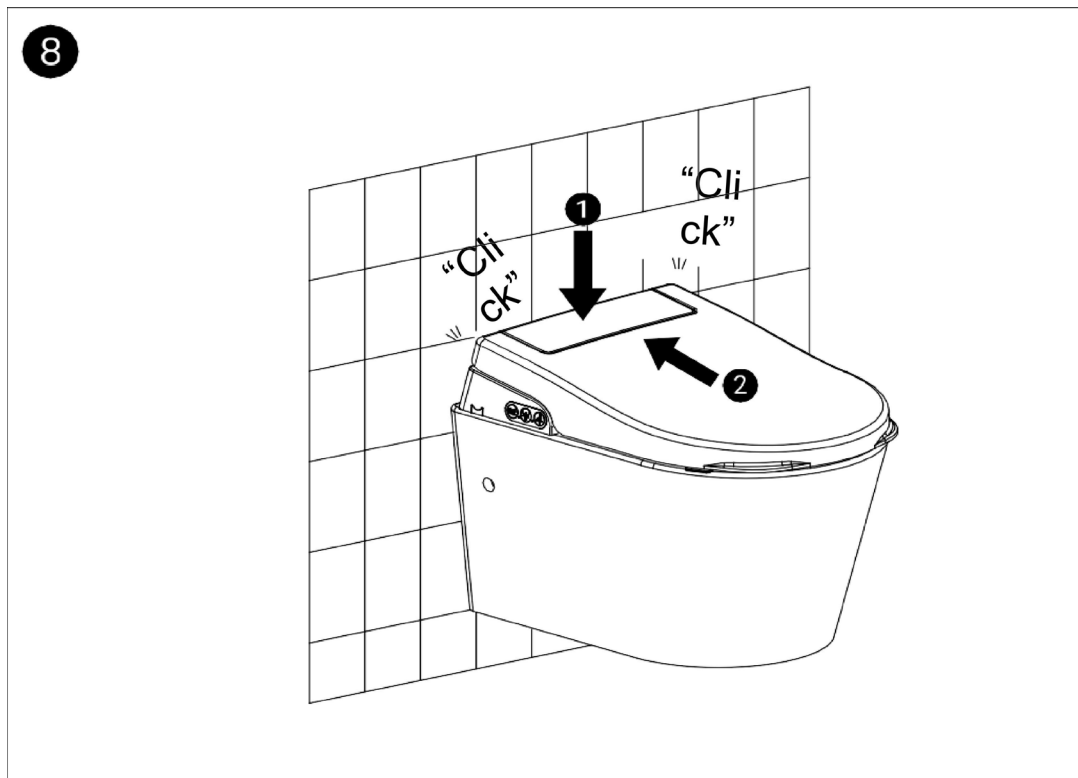
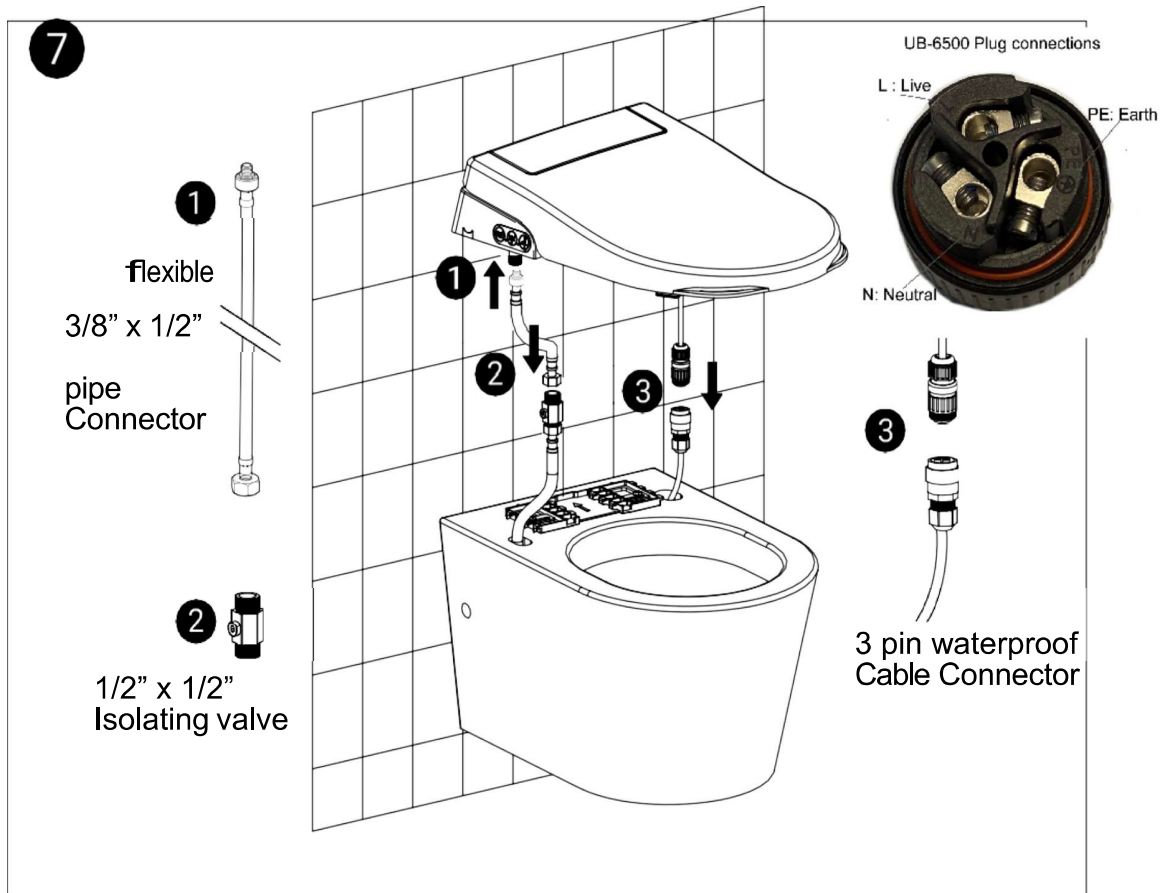
Bottom entry installation CCP / UB-6600



Refer to the toilet cistern installation instructions for completing the electrical and plumbing installation, and then the pan instructions before attaching the Bidet.



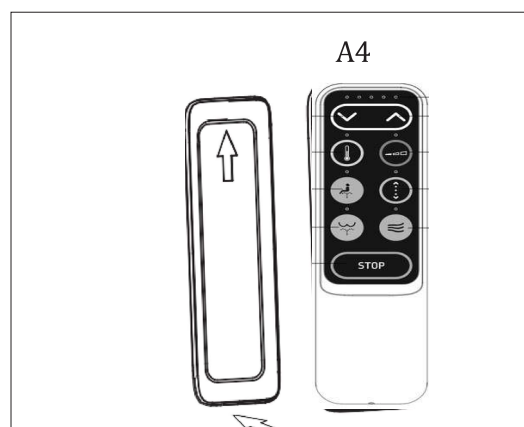
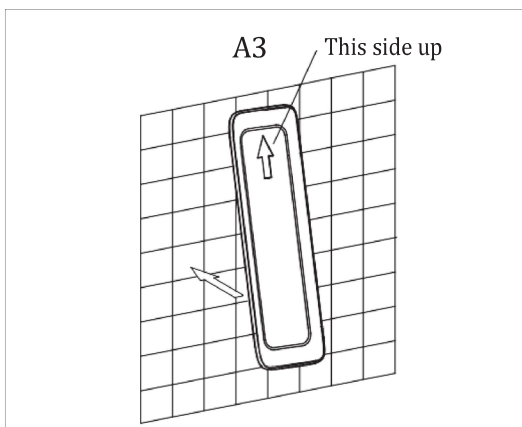
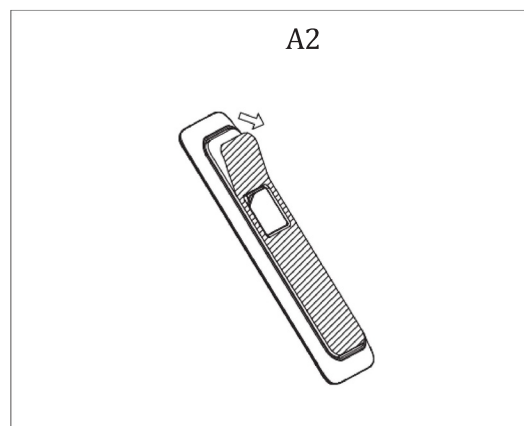
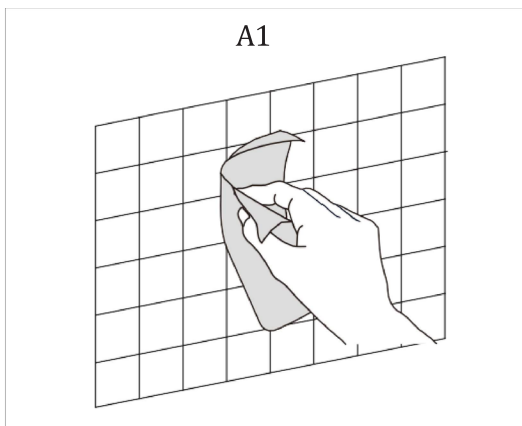
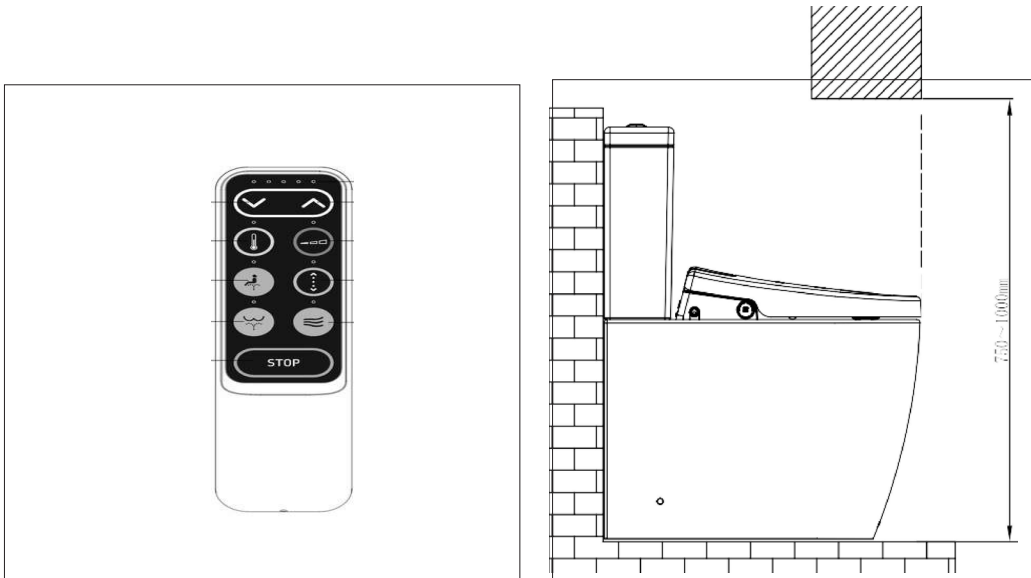
Bottom entry installation CCP / UB-6600



Refer to the user instructions for Bidet functions and operations.

Installing the remote

Recommended location for the remote



Functions & Operation

Rear Wash / Female Wash

Press either the **REAR WASH** or **FEMALE WASH button** to start a wash cycle. The wash cycle can be stopped at any time by pressing the **STOP button** on the remote control or any button on the side of the bidet. Otherwise the wash cycle will stop automatically after 2 minutes constant temperature mode or 1 minute gradual cooling mode in **standard mode** or if the unit is in **low pressure mode** the wash cycle will stop automatically after 1 minute constant temperature mode and 1 minute gradual cooling mode. Also rising from the seat will cause a wash cycle to stop.

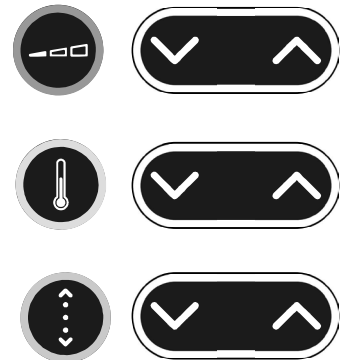
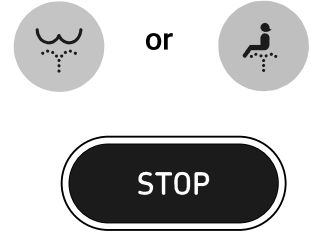
Note: When using the side buttons, the flow rate, temperature and nozzle position settings, will be as same the last remote control settings.

Using the remote control

To adjust the **water flow rate**, first press and release the **FLOW RATE button** and then the **INCREASE or DECREASE buttons** to achieve the desired setting.

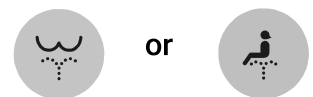
To adjust the **water temperature**, first press and release the **TEMPERATURE button** and then the **INCREASE or DECREASE buttons** to achieve the desired setting.

To adjust the **spray nozzle position**, first press and release the **POSITION button** and then the **INCREASE or DECREASE buttons** to achieve the desired setting.



Massage operation

During a wash cycle, pressing the respective rear wash or female wash button on the **remote control** will cycle through massage modes : Oscillate / Pulsate / Oscillate + Pulsate.



Dryer

Press the **AIR DRY button** to start a dry cycle. The dry cycle can be stopped at any time by pressing the **STOP button** on the remote control or any button on the side of the bidet. Otherwise the dry cycle will stop automatically after 3 minutes. Rising from the seat will also cause a dry cycle to stop.

Using the remote control.

To adjust the **air flow rate**, first press and release the **FLOW RATE button** and then the **INCREASE or DECREASE buttons** to achieve the desired setting.

To adjust the **air temperature**, first press and release the **TEMPERATURE button** and then the **INCREASE or DECREASE buttons** to achieve the desired setting.



Water Pressure Mode

On the remote, simultaneously press and hold the **REAR WASH** and **FLOW RATE** buttons until the flow rate LED flashes.



On the remote, press the **INCREASE** or **DECREASE** buttons to select mode.

Remote Control LEDS



Press the **DECREASE** button for 'Low Pressure Mode'.

Press the **INCREASE** button for 'Standard Pressure Mode'



On the bidet, press and release the **AIR DRY** button.
Short beep sound will be heard.



On the remote, press and release the **STOP** button.
Long beep sound will be heard.



Standby Mode

Pressing and holding the **AIR DRY** button on the side of the bidet for >6 seconds will enter the bidet into '**Standby Mode**'.
Pressing and holding the button again for >6 seconds will revert to '**Normal Mode**'.



Night Light

To alter the night light mode, first press and hold the **STOP** button on the remote control.

While still pressing the **STOP** button, press and release the **FLOW RATE** button to cycle through the options **Off / Always On / Smart**.

In Smart mode, the night light will automatically turn on or off.
In dark / bright environments respectively.

Press the **STOP** button to exit.

Remote Control LEDS



Functions & Operation

Water Temperature Mode

To set the temperature mode, first press and hold the **STOP button** on the remote control.
While still pressing the **STOP button**, press and release the **TEMPERATURE button** to alternate between **Constant** and **Gradual** settings.
Press the **STOP button** to exit.

Remote Control LEDs

● ○ ○ ○ ○ **Constant**
● ● ○ ○ ○ **Gradual**



Note:

Constant Mode: Water temperature constant throughout wash cycle.

Gradual Mode: Water temperature gradual cooling to inlet temperature throughout wash cycle.

Sound

The bidet can optionally acknowledge a button press with a short beep sound.

To alter the sound setting, first press and hold the **STOP button** on the remote control. While still pressing the **STOP button**, press the **POSITION button** to alternate between **Off** and **On** settings.
Press the **STOP button** to exit.

Remote Control LEDs

● ○ ○ ○ ○ **OFF**
● ● ○ ○ ○ **ON**



Pairing Remote Control

On the remote, simultaneously press and hold the **STOP** and **TEMPERATURE buttons** until the temperature LED flashes.



On the remote, press the **INCREASE** or **DECREASE buttons** to select channel.



On the bidet, press and release the **AIR DRY button**.



On the remote, press and release the **STOP button**.



Nozzle Cleaning

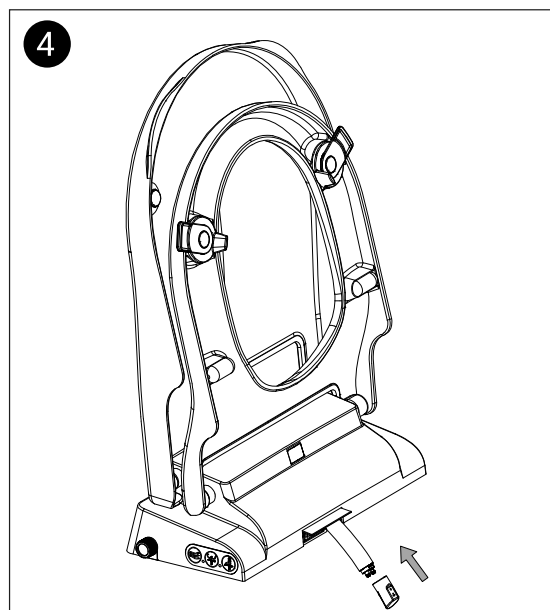
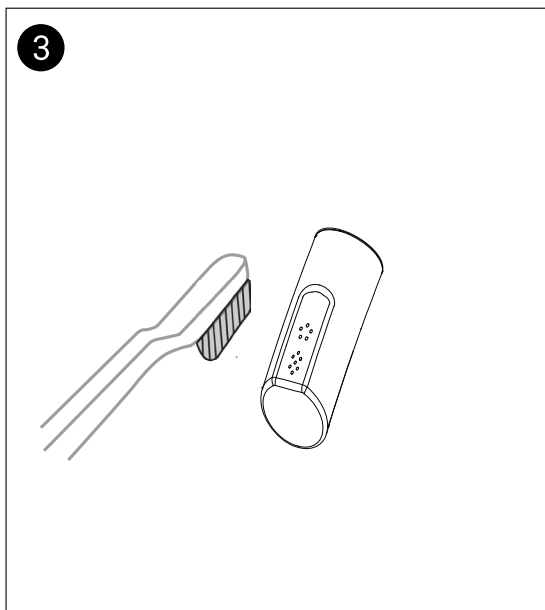
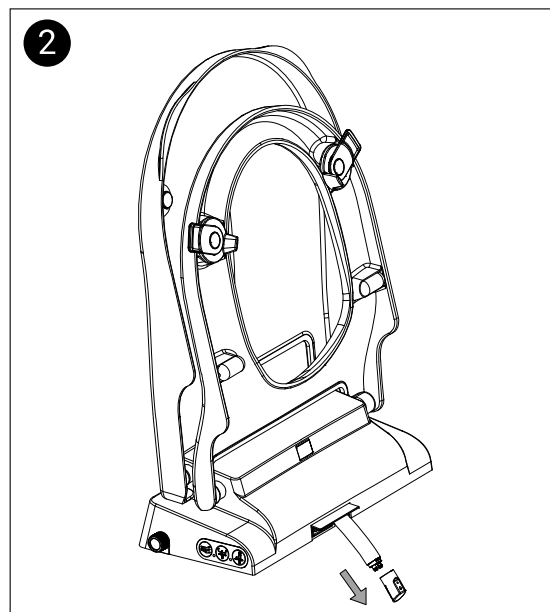
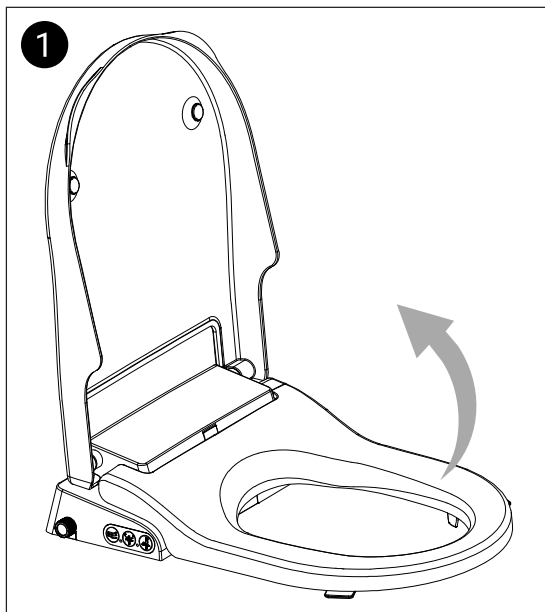
Nozzle cleaning

Ensure that the nozzle is clear and free of blockages before or after washing.

To clean the nozzle in a non-working state.

On the remote control, while pressing the **'STOP' button**, press the **'DECREASE' button** once, to make the nozzle appear from the bidet.

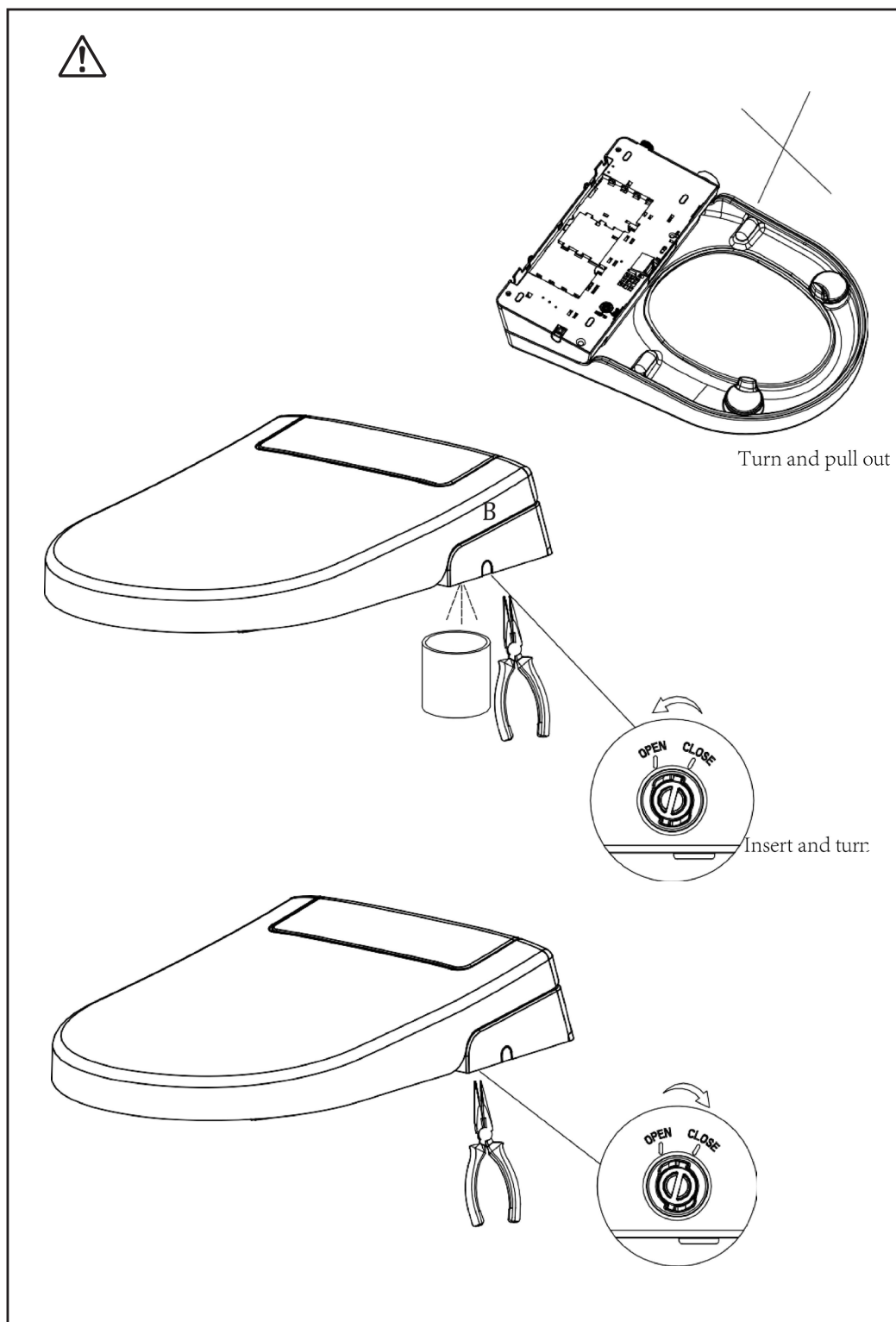
The nozzle will go back to its start position automatically after 5 minutes or when the **'STOP' button** is pressed. If the cleaning is not complete, repeat to make the nozzle appear again.



Draining the Tank

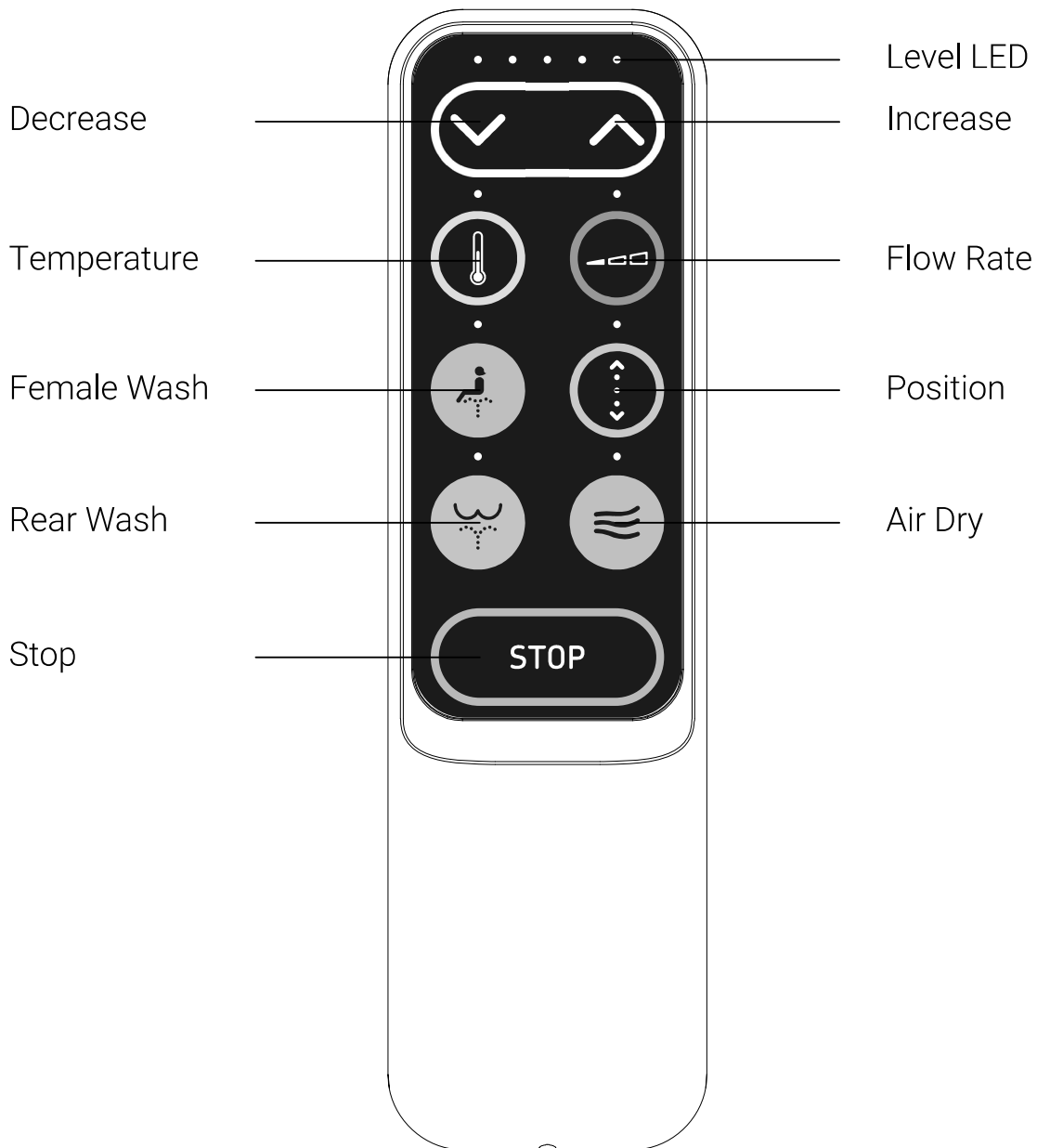
WARNING

1. The water and power must be cut before you disassemble the E-Bidet
2. Do not invert or tilt it before you finish draining the water tank



Remote Control Features

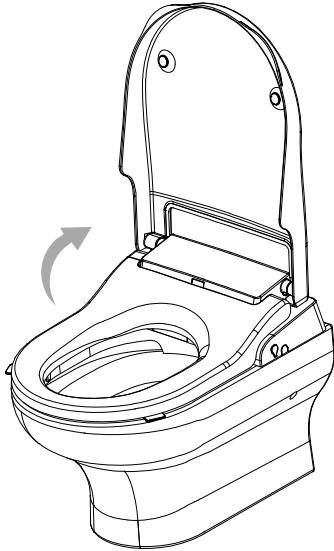
BIDET REMOTE CONTROL



Removing the seat / lid

Removing the seat lid - Removal of the seat is the same as the seat lid.

1



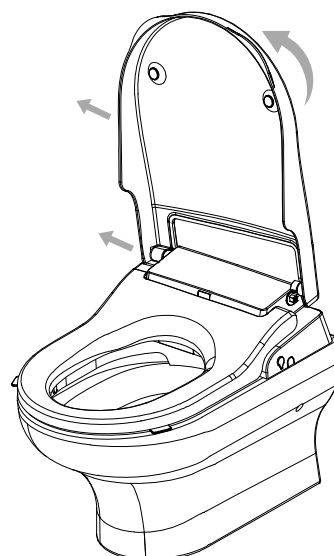
2



3

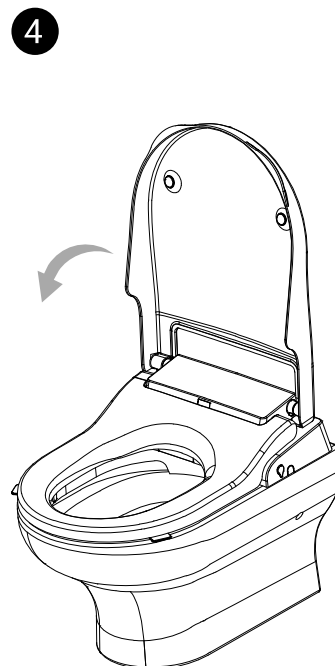
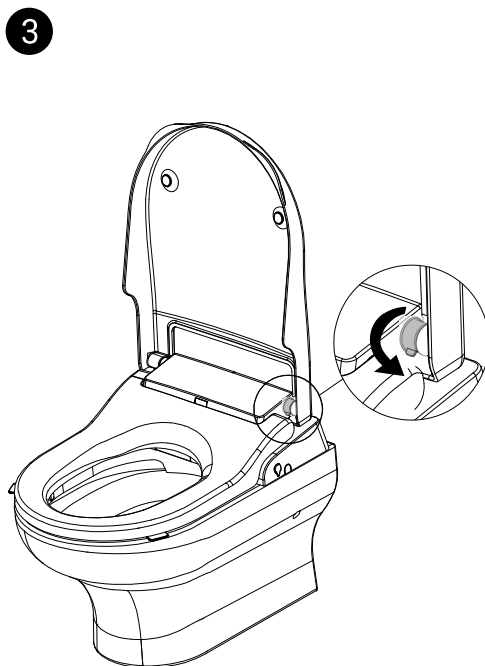
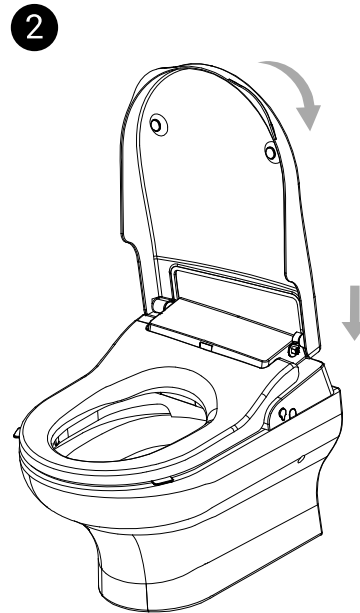
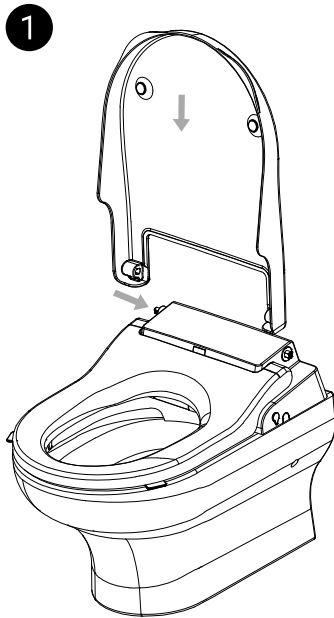


4



Replacing the seat / lid

Replacing the seat lid - Replacement of the seat is the same as the seat lid.

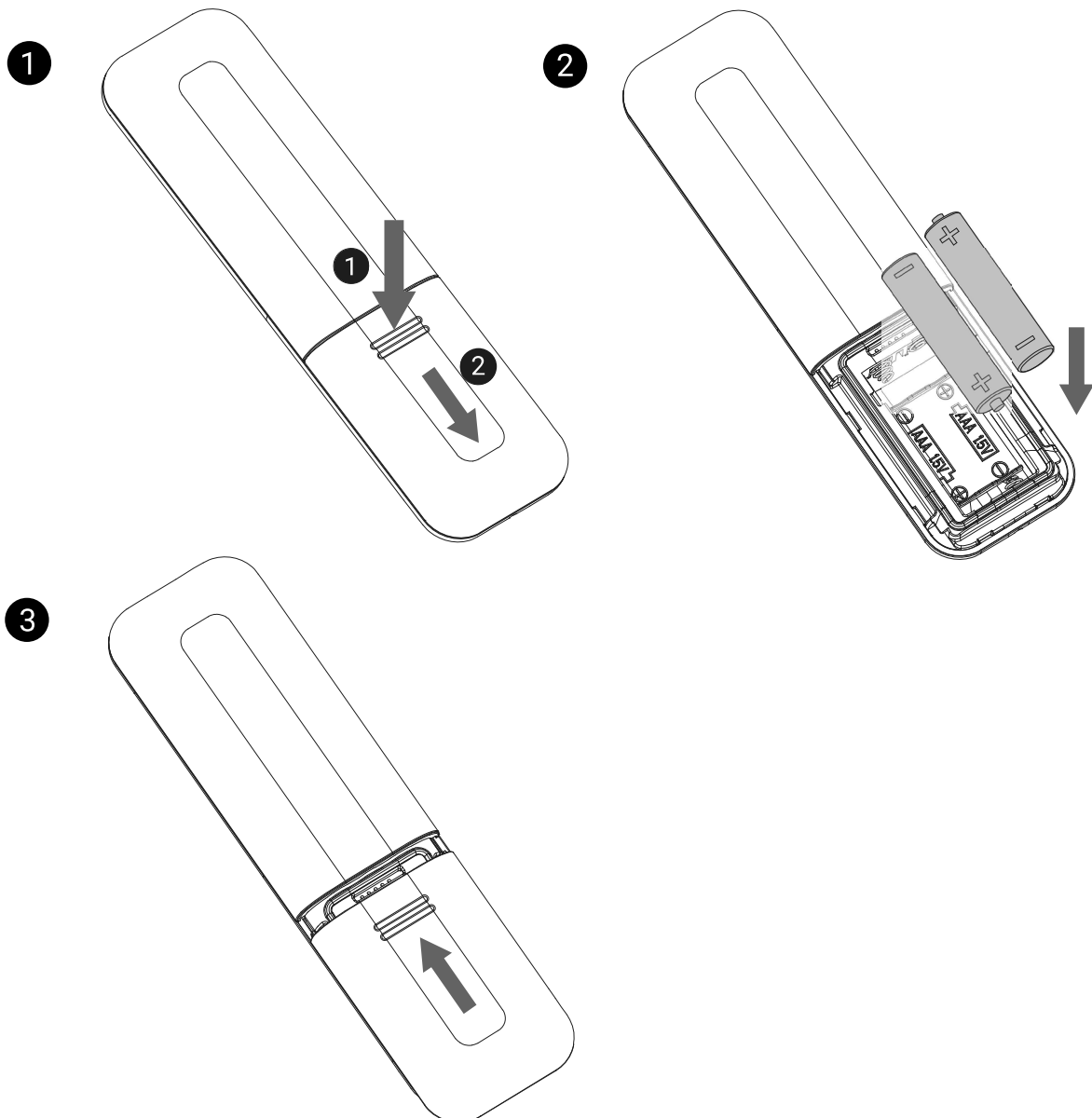


Replacing Remote Batteries

Replacing the batteries

The remote control requires 2 batteries (type 1.5V LR03/AAA).
When the level light flashes continuously, please replace the batteries in time.

1. Use new batteries only.
2. Batteries are to be inserted with the correct polarity.
3. The exhausted batteries are to be removed and safely disposed of.
4. If the appliance is to be stored unused for a long period, then the batteries should be removed from the remote.

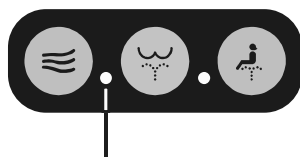


Troubleshooting

Problem	Potential Cause	Suggested Action
No wash function	1. Bidet switched off at rear.	Switch On (unless advised not to)
	2. Water supply isolated.	Turn On (unless advised not to)
	3. Seated detector not activated.	Adjust sitting position
	4. Not used for more than 72 hours.	After a prolonged period without use, when the user sits down, the bidet will execute self-cleaning for about 3 minutes. All the buttons are disabled during the self-cleaning.
Washing stops and spray nozzle retracts suddenly	1. A wash cycle is 3 minutes at constant temperature mode and 1 minute at gradual cooling.	This is normal. Re-press the "wash" button if further washing is required
	2. Starvation of water supply.	Check water supply
	3. Seated detector not activated.	Adjust sitting position
Low wash water flow rate	1. Flow rate may be set too low.	Adjust water flow rate (see page 14)
	2. Water supply pressure may be too low.	Ensure water supply dynamic pressure is at least 0.5 bar
	3. Spray nozzle may be blocked.	Remove / clean / refit
Low wash water temperature	1. Water temperature may be set too low.	Adjust water temperature (see page 14)
	2. Temperature of water supply is too low.	Set wash water temperature higher and/or reduce water flow rate (see page 14)
	3. Thermostat needs to be reset.	Reset Thermostat (see page 16)
Delay before spray nozzle comes out	At start of wash function, the nozzle will self-clean before coming out.	This is normal
Water flows but spray nozzle does not come out	1. At start of wash function, the nozzle will self-clean before coming out.	This is normal
	2. At end of wash function, the nozzle will self-clean after retracting.	
	3. Not used for more than 72 hours.	After a prolonged period without use, when the user sits down, the bidet will execute self-cleaning for about 3 minutes. All the buttons are disabled during the self-cleaning.
No dryer function	1. Bidet switched off at rear.	Switch On (unless advised not to)
	2. Seated detector not activated.	Adjust sitting position
Low dryer temperature	Air temperature may be set too low.	Adjust air temperature (see page 14)
Night light is always off	1. Permanently bright environment.	When set to smart mode, the night light will turn off in a bright environment. (see page 15)
	2. Mode set to Off.	Refer to Night Light mode setting (see page 15)
Night light is always on	1. Permanently dark environment.	When set to smart mode, the night light will turn on in a dark environment. (see page 15)
	2. Night detector obscured.	Check night detector is not covered (see page 8)
	3. Mode set to always ON.	Refer to Night Light mode setting (see page 15)
Nozzle retracts automatically when manual cleaning	Nozzle retracts after washing 3 minutes.	This is normal
No remote-control function	1. No batteries in the remote control.	Install 2 x AAA batteries in the remote control (see page 22)
	2. Battery power too low.	When battery power is too low the level LEDs will flash. Replace batteries (see page 22)
	3. Remote control is not 'paired' to bidet.	'Pair' the remote control and bidet (see page 16)
Bidet BEEPs	There is a short BEEP when you sit down, a long BEEP when you leave. Also there is a short BEEP when the bidet receives commands.	This is normal. Sound can be disabled (see page 15)
Abnormal operation	General operation anomalies.	Switch off power, wait on minute and switch back on. If operation still abnormal, contact installer.

Troubleshooting

LED Fault Indication



Power light/LED Fault Indication

Fault Indication	Fault
LED : 1 flash No Beep	1. Heating element switch faulty
LED : 2 flash Continuous Beep	2. Outlet water temperature above 45°C. Continuous beeping until temperature drops to 45°C.
LED : 3 flash Continuous Beep	3. Dryer temperature above 55°C. Continuous beeping until temperature drops to 45°C.
LED : 5 flash No Beep	4. Level sensor failure or no water in tank.
LED : 6 flash No Beep	5. Tank refill too slow.
LED : 7 flash No Beep	6. Tank drain too slow.
LED : 8 flash No Beep	7. Water inlet thermistor faulty.
LED : 8 flash No Beep	8. Water outlet thermistor faulty.
LED : 8 flash No Beep	9. Dryer thermistor faulty.

NOTE :

Normal operation LED is BLUE.

Warning LED is RED and flashes at 1 per second, repeating every 10 seconds.

Warning LED flashes are continuous until reset by pressing DRY button on bidet.

Warning beep only for conditions 2 and 3 above.

Warning beep active even if bidet in sound disabled mode.

Cleaning & Resetting

Care and cleaning recommendations

Always isolate the power supply before cleaning.

The bidet unit and surrounding areas should be cleaned periodically to remove any accumulation of dirt or other waste materials, using domestic bathroom and kitchen cleaning materials with a soft cloth.



Do not use any abrasive pads, brushes or cloths. Do not use metal cleaning products or bleach.

Do not use strong or concentrated acidic, alkaline or other cleaning materials as these may damage or discolour the product.

After cleaning always rinse with water then wipe thoroughly with a damp soft cloth to remove any cleaning material residue.

Self cleaning operation

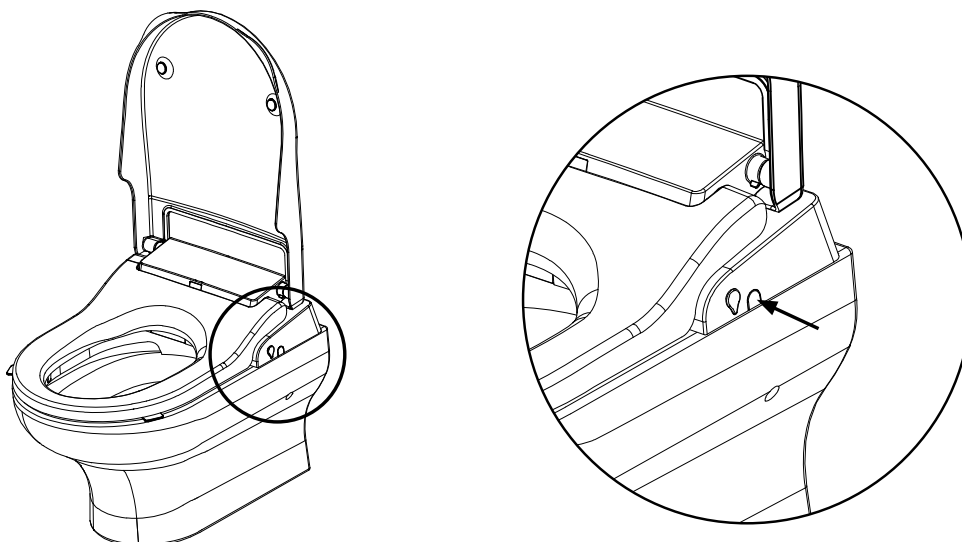
When the bidet has not been used for 72 hours, it will automatically self-clean (approx 3 mins). All other functions will be inoperable during the self-cleaning cycle.

Note:

If the appliance is not to be used for a long period of time (more than a few weeks), switch off the appliance at the mains, isolate the water supply and drain the heater tank.

Resetting the thermostat

If the appliance needs to be reset (see troubleshooting page 13) press the side reset button.



Contact / Compliance / Warranty

Orders & Quotes

01442 843746

sales@bidet-shower.co.uk

General Enquiries

01442 843746

info@bidet-shower.co.uk

Technical Enquiries

01442 843120

info@bidet-shower.co.uk

Warranty

Warranty applies only to manufacturing or material defects, conditional on the one-time correct installation of the product. It does not apply to:

- Inappropriate use or accidental damage
- Damage or defects that result from incorrect installation
- Lack of maintenance including the build-up of grime or damage resulting from inappropriate cleaning.
- Damage or defects that result from repairs or modifications undertaken by unauthorised persons
- General wear and tear through usage and does not apply to surface finishes

The warranty is two years for parts on the toilet pan and cistern and 2 years part and labour for manufacturing occurring on the bidet engine

Warranty period starts from the date of purchase. If a manufacturing defect occurs during the warranty period, on the cistern we will ship replacement parts, if a manufacturing defect occurs on the bidet engine it is the responsibility of the customer to ship or bring the unit to our workshop

See the T&Cs on our website for further information.

What to do if something goes wrong?

In the event that you encounter a problem with this product, follow the trouble shooting guide if applicable, then contact your local installer. If the issue is still unresolved, contact our Technical enquiries who will provide further advice. None of the foregoing affects your statutory rights.



CE, UKCA, EN 1717 back flow prevention.

Please Note. To achieve full compliance an 'Approved' double check valve or some other no less effective back-flow prevention device providing back-flow prevention protection to at least fluid category two must be fitted at the point of connection between the water supply and the water inlet to this appliance.

