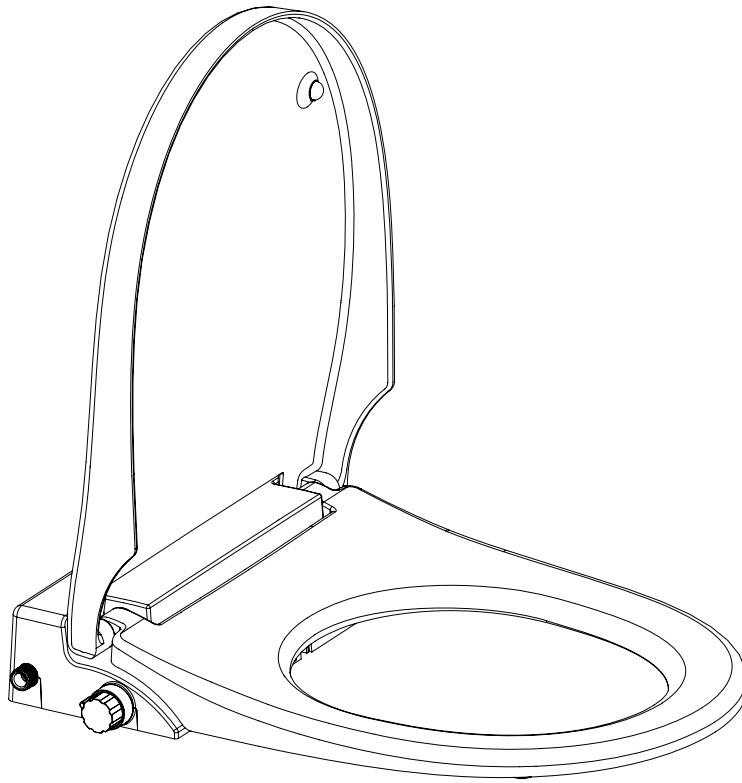
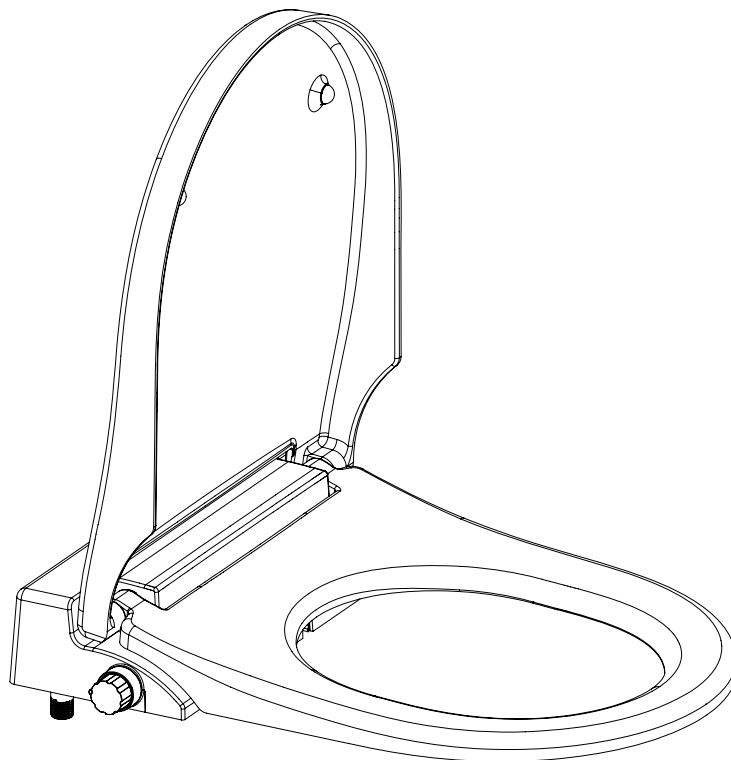


Installation Manual: Aqua-lava NE-2000 Series Bidet seat with Type AD Air gap



NE-2000-SE
Side entry

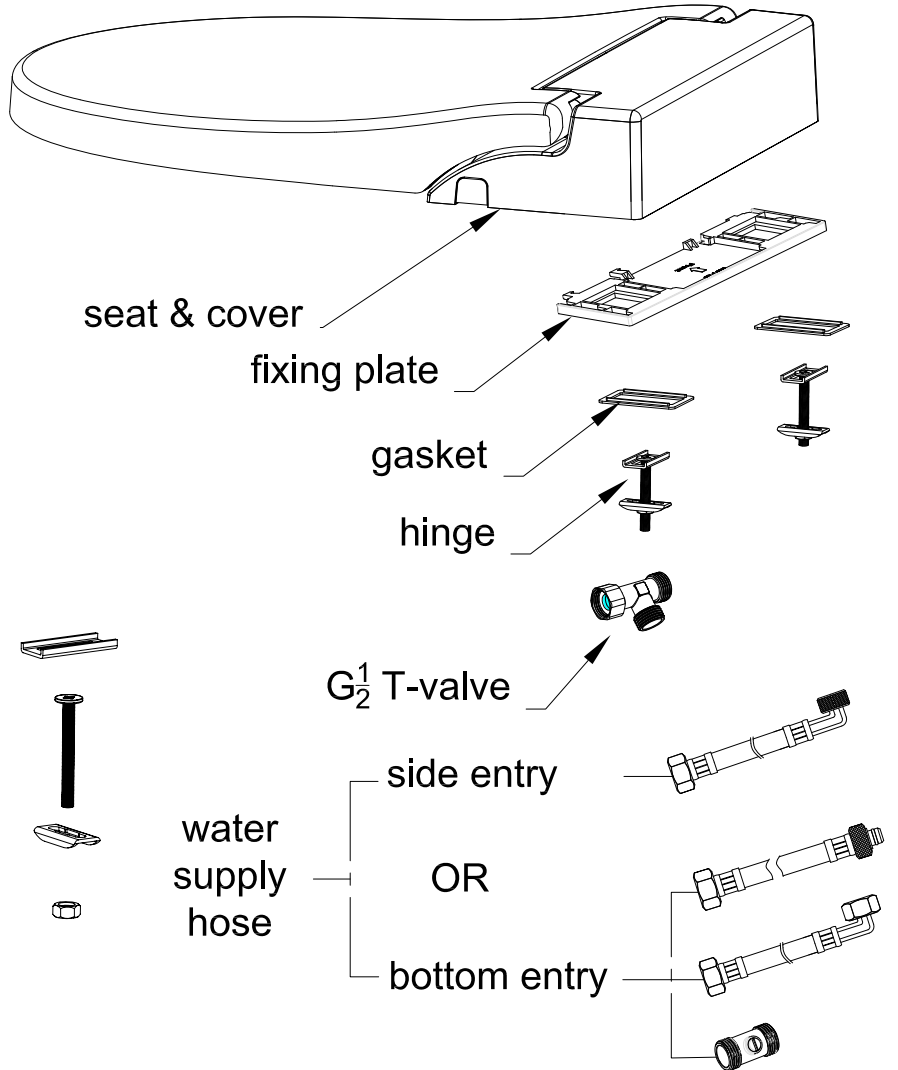


NE-2000-BE
Bottom entry

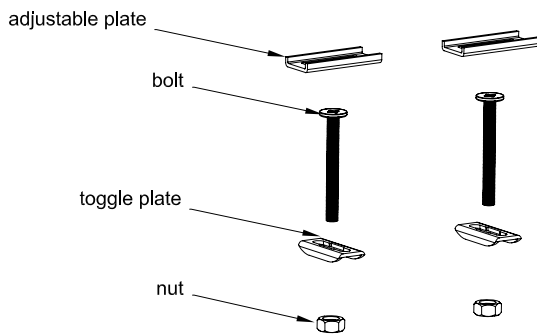
* When the water supply pressure is greater than 0.4Mpa, a pressure limiting device is recommended.*

Fittings Checklist

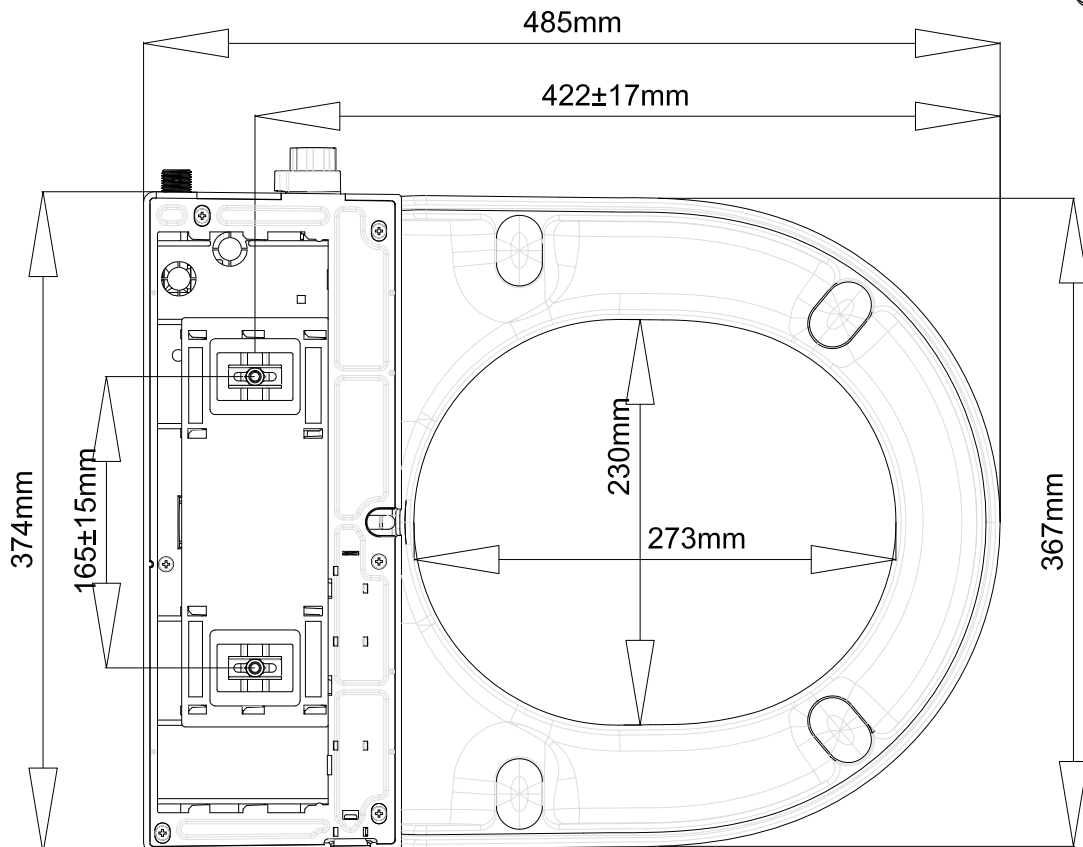
No.	Fitting Name	Qty.
1	Seat & Cover	1
1-1	Fixing plate	1
2	Gasket	2
3	Hinge	2
3-1	Adjustable plate	2
3-2	Toggle plate	2
3-3	Bolt	2
3-4	Nut	2
4	Water supply hose (Side entry)	1
5	Water supply hose (Bottom entry)	2
6	G ₂ ¹ T-valve	1
7	Stop valve (Bottom entry)	1



Hinge



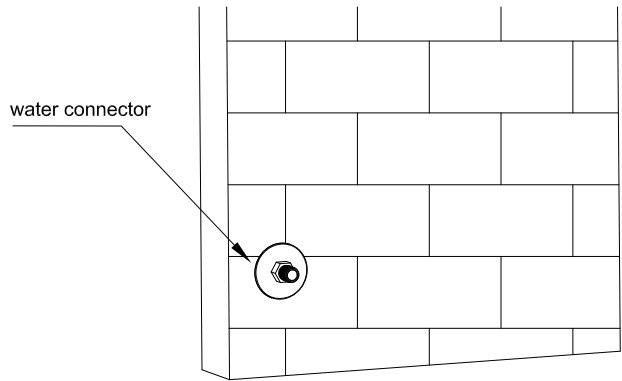
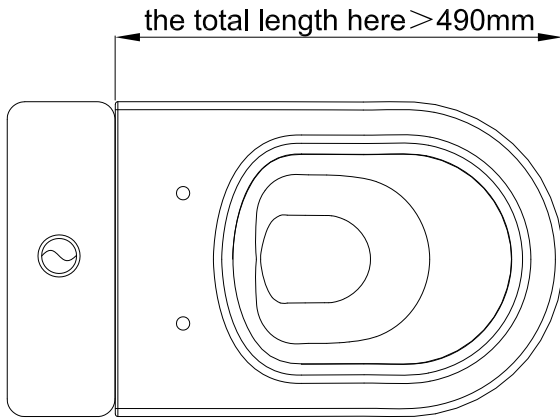
Technical Drawing



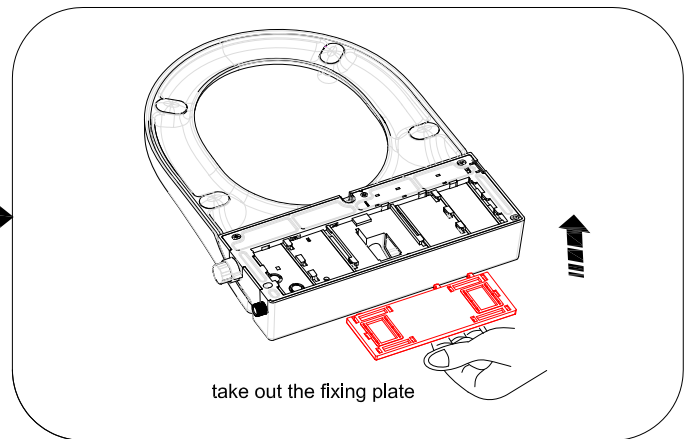
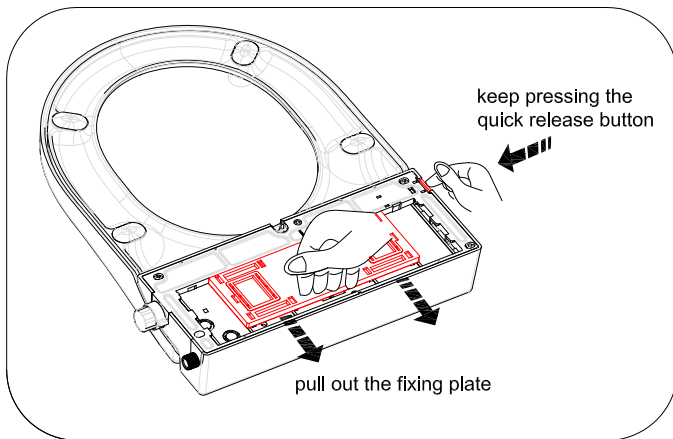
Installation Steps

1. Check whether the seat cover fits the toilet, and the distance between two mounting holes of the toilet. Make sure no significantly deformation of the toilet.

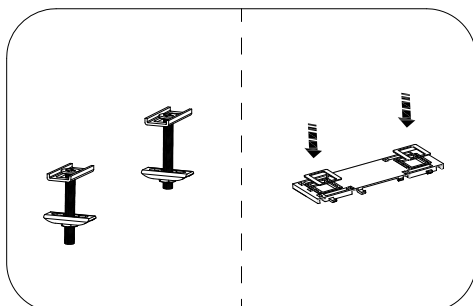
2. Make sure there is a water connector near the toilet / cistern for supplying water to the bidet.



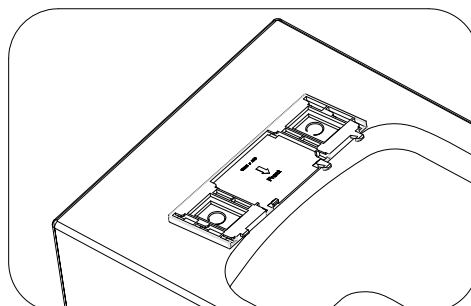
3. Remove the fixing plate from the seat cover



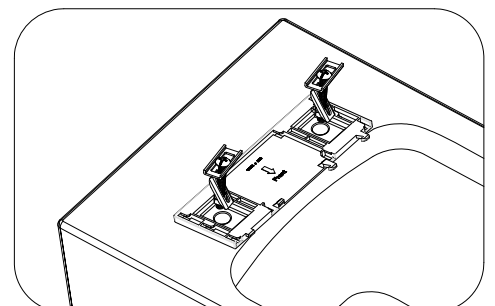
4. Installation of hinges



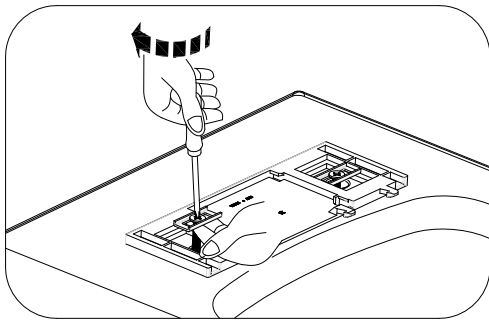
① Assemble hinges and fixing plate according to the figure above



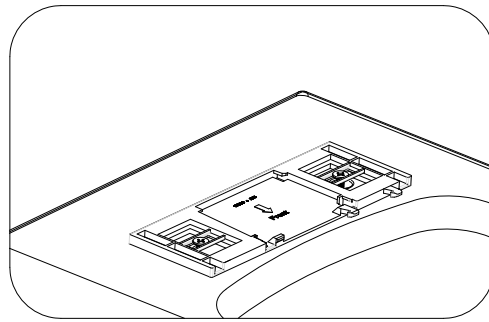
② Install the fixing plate with gaskets on the toilet and align the mounting holes



③ Tilt the toggle plates of the hinges and insert the hinges into the toilet mounting holes

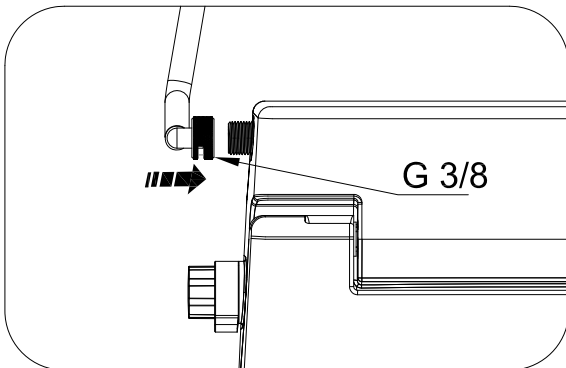


④ Lift upward the hinges and then crew the nuts

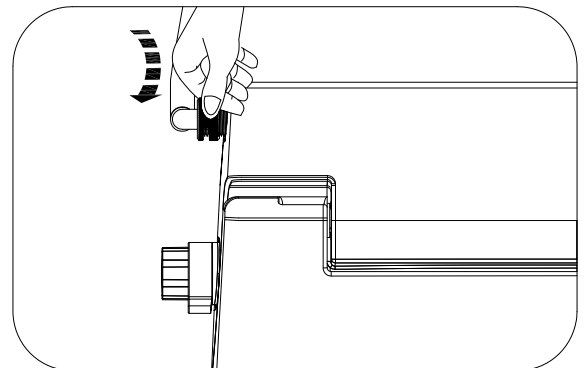


⑤ Finish installation of the hinges

5. Installation of water supply hose

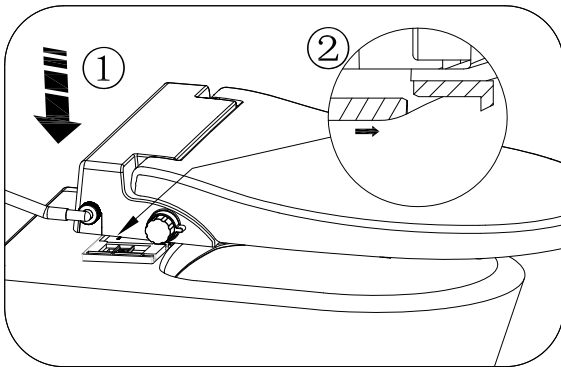


Connect G 3/8 connector with water inlet joint of seat cover

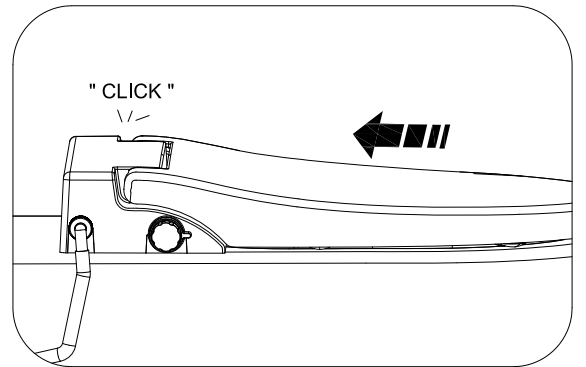


Rotate the nut clockwise until it is locked

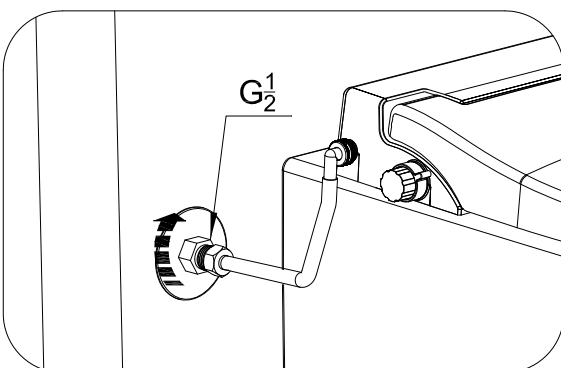
6. Installation of seat cover



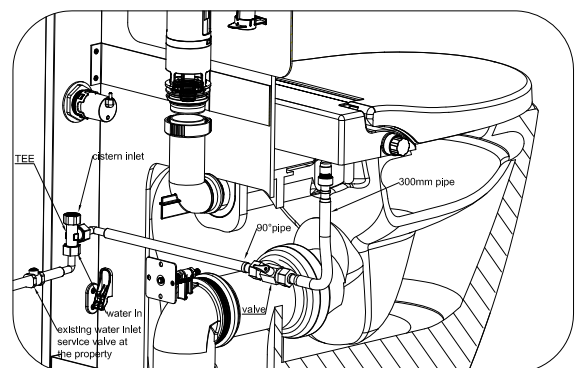
Align the seat cover to the fixing plate



Push seat cover forward until hearing "click"

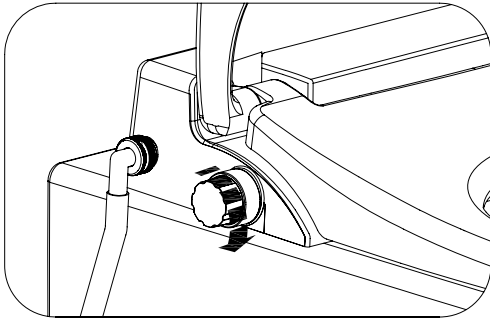


Connect the water supply hose to the water connector on the wall

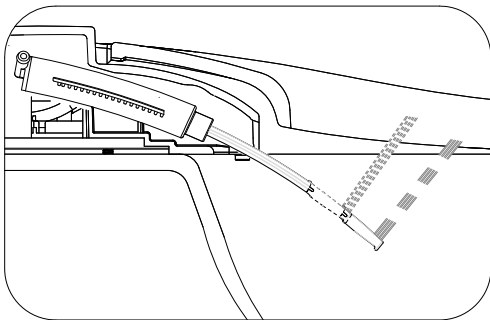
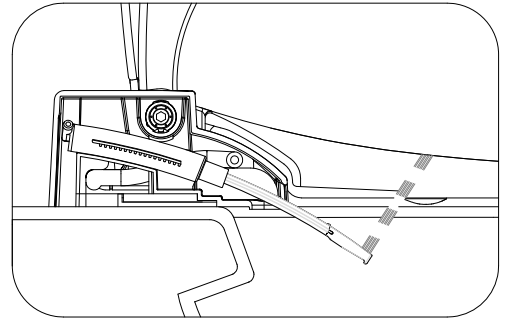


Hidden connection for bottom entry unit with supplied T piece, flexible hose with valve

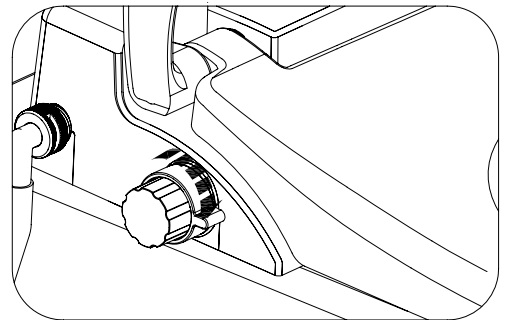
Washing mode



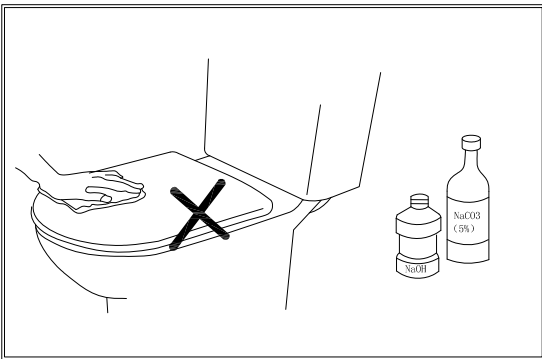
Rotate the knob in the clockwise direction to activate washing function. The washing volume can be adjusted by rotate the knob. (Note: be careful with the flow rate when the washing starts to avoid the uncomfortable washing experience.)



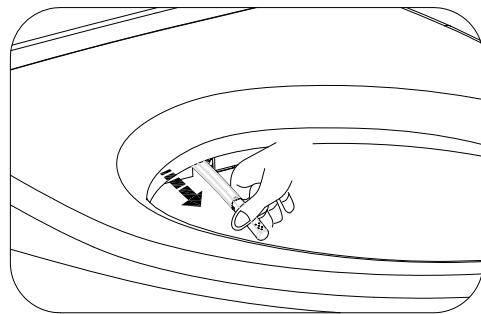
Rotate the inner knob ring in the clockwise direction to adjust the nozzle position



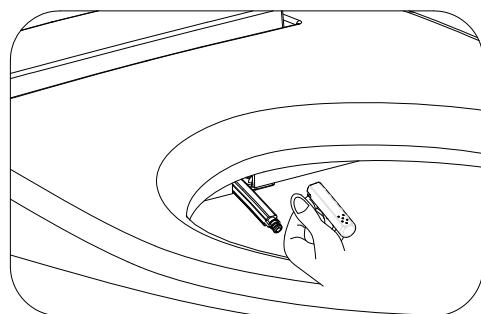
Cleaning



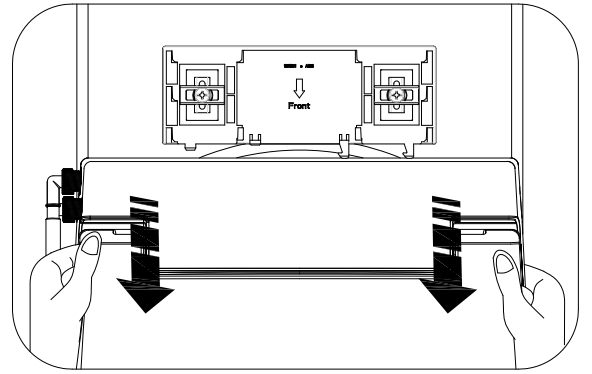
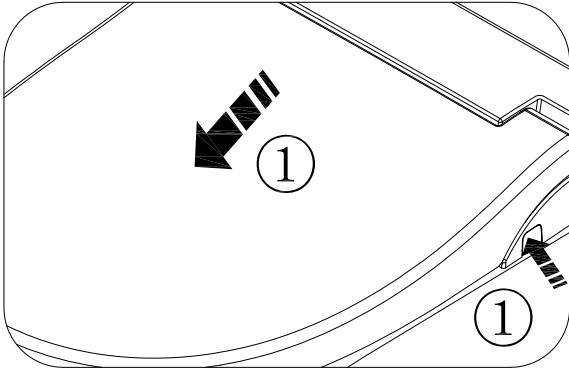
Do not use the cleaning agents of NaCO_3 、 NaOH to clean the seat cover and just clean the seat cover with soft cloths.



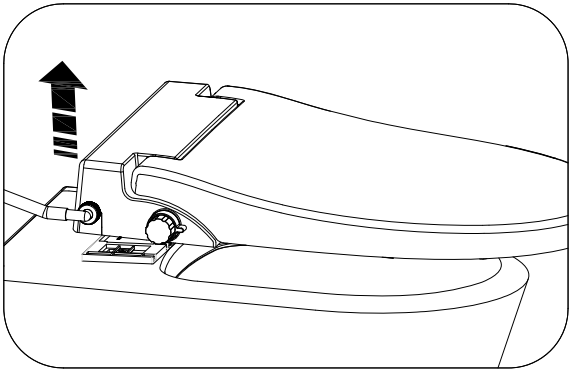
Remove the nozzle regularly for cleaning or replace it with a new one



Remove the seat cover

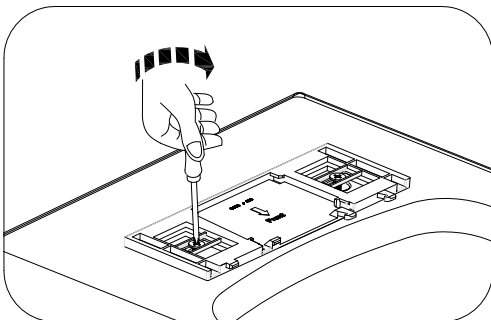


Press the quick release button meanwhile pull the seat cover backward

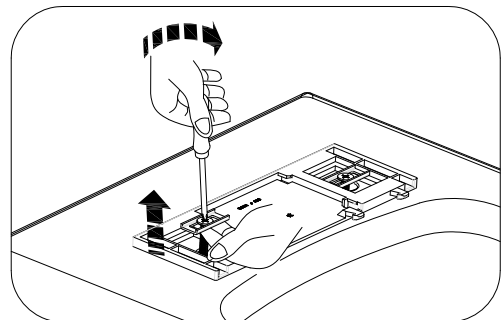


Then take the seat cover up to remove it

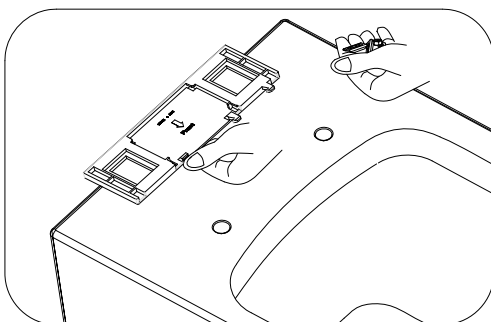
Remove the hinges



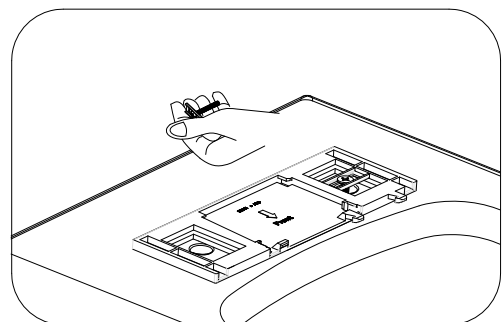
Loosen the bolt in counter clockwise direction by screwdriver



Keep lifting upward the adjustable plate and continue rotating the bolt counter clockwise until the screw is fully removed



Remove the fixing plate



Take out the bolt ,toggle plate, and screw nut, then loosen another hinge