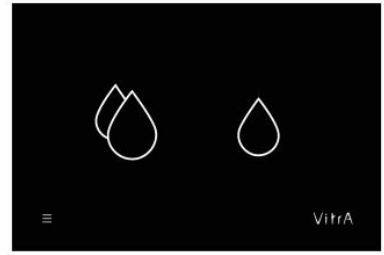


# VitrA

---

Name	Smart Panel
Collection	V-Care
Designer	VitrA Design Team



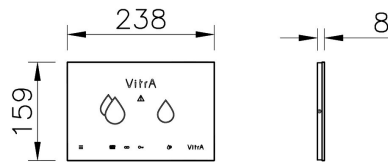
Product Code: 748-1501

---

## Description

Electronic, Compatible with Slim Frames (748-frames)

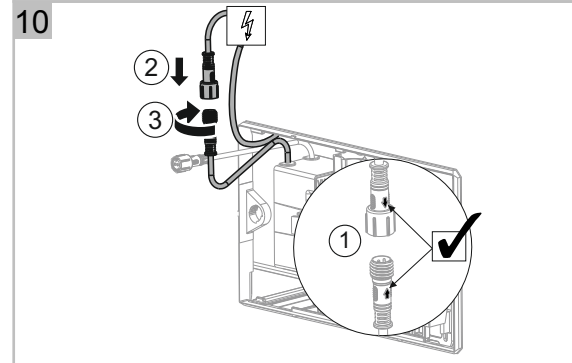
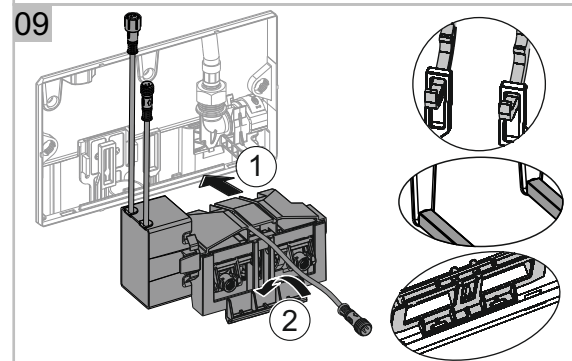
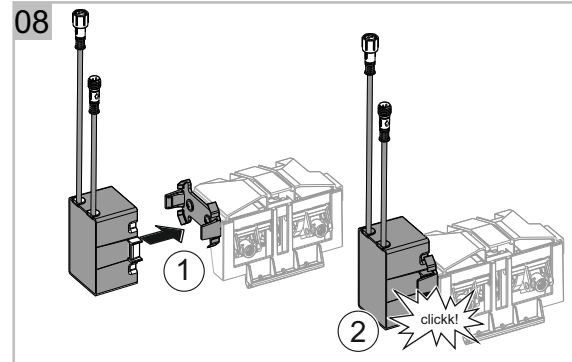
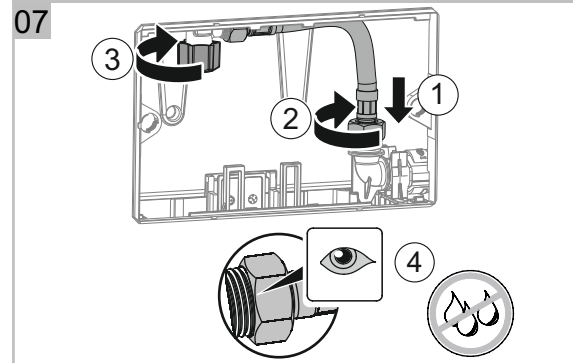
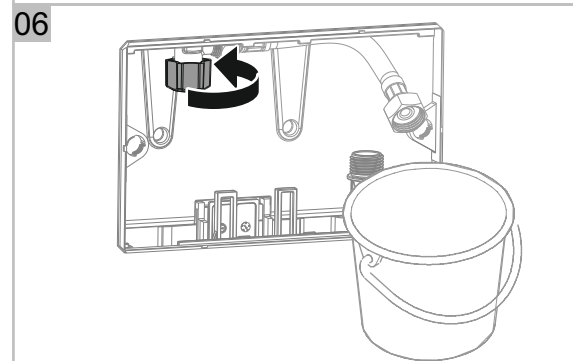
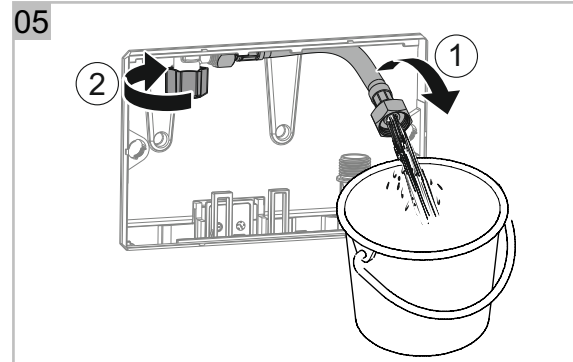
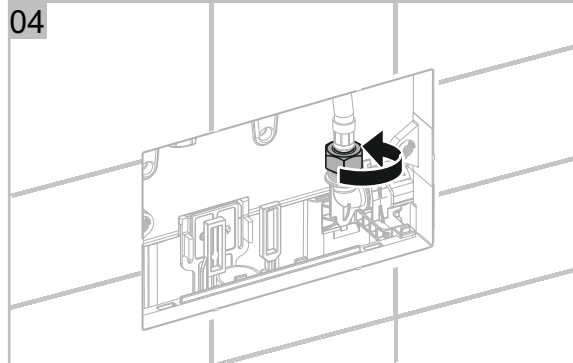
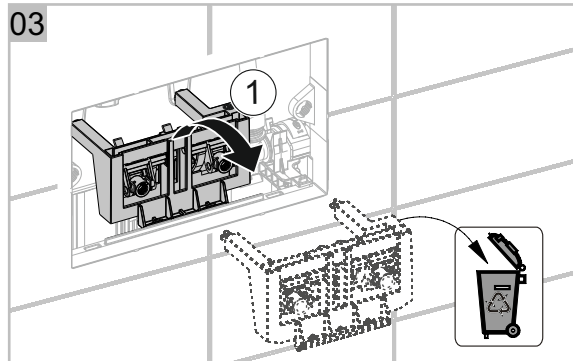
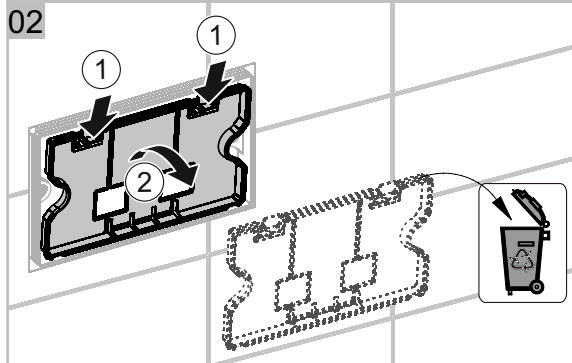
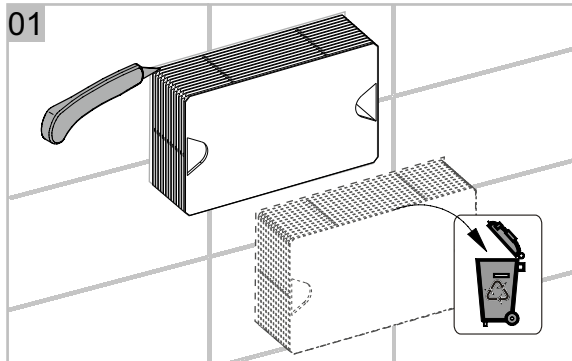
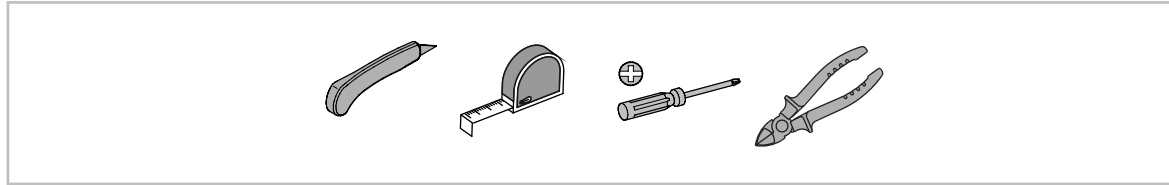
---

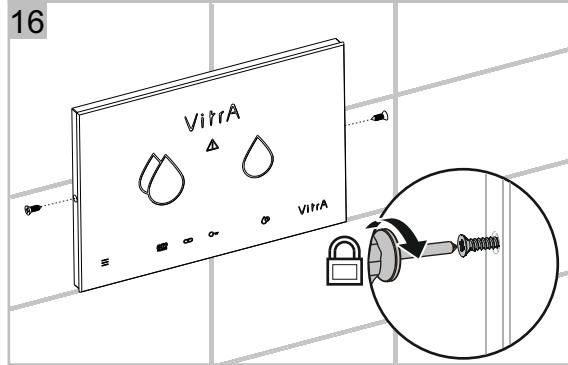
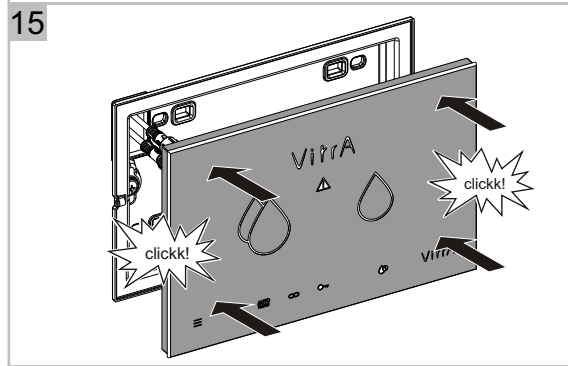
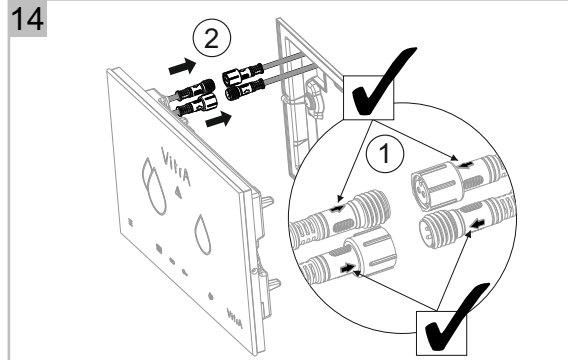
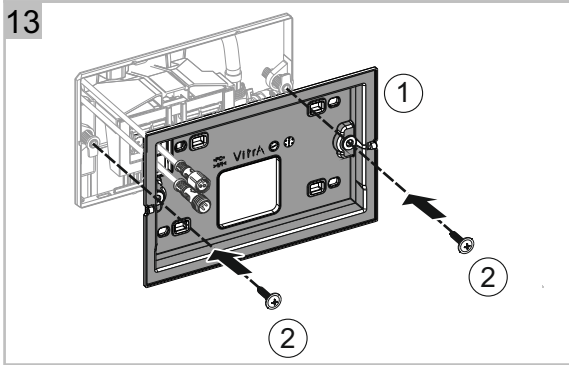
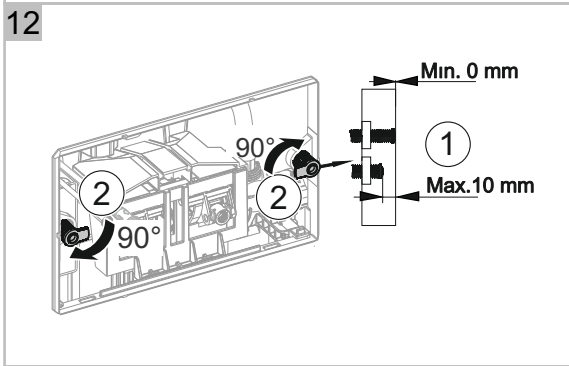
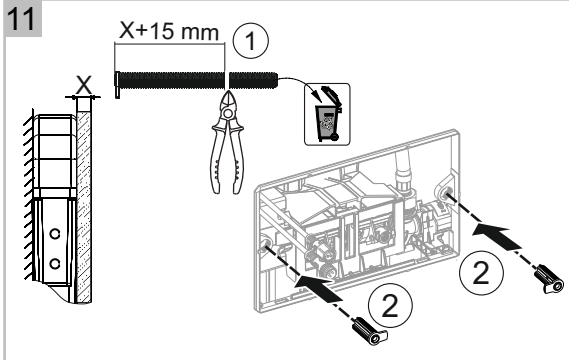


---

VitrA reserves the right to make changes in products and technical details without prior notice.

All drawings contain the necessary measurements which are subject to standard tolerances. For exact measurements, in particular for customized installation scenarios, it can only be taken from the finished ceramic product.





# V-Care

Akıllı Panel

# V-Care

Smart Panel

# VitrA

MONTAJ KILAVUZU  
INSTALLATION MANUAL