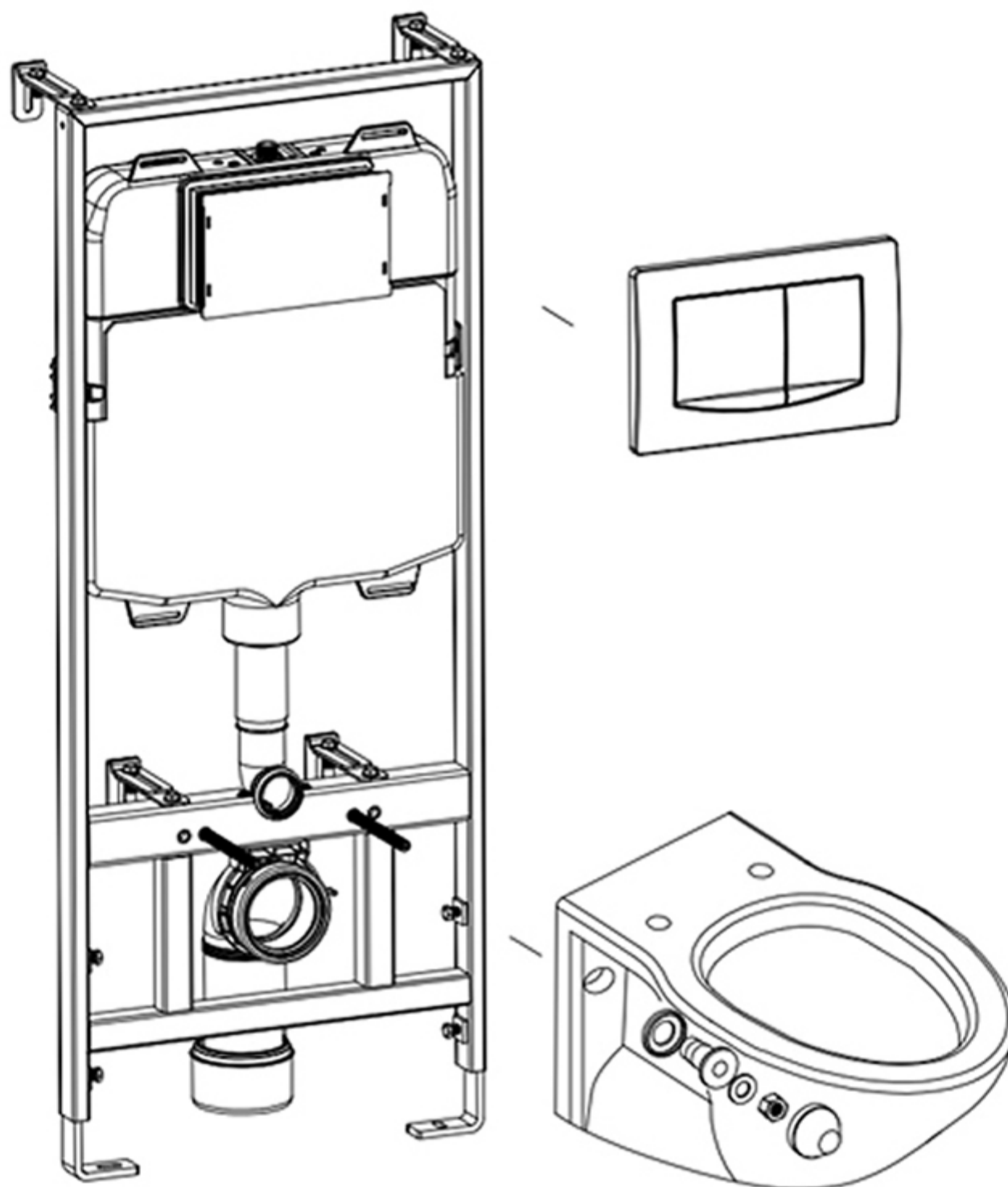


# Assembly & Installation guide

## 1168mm wall frame with pneumatic dual flush cistern

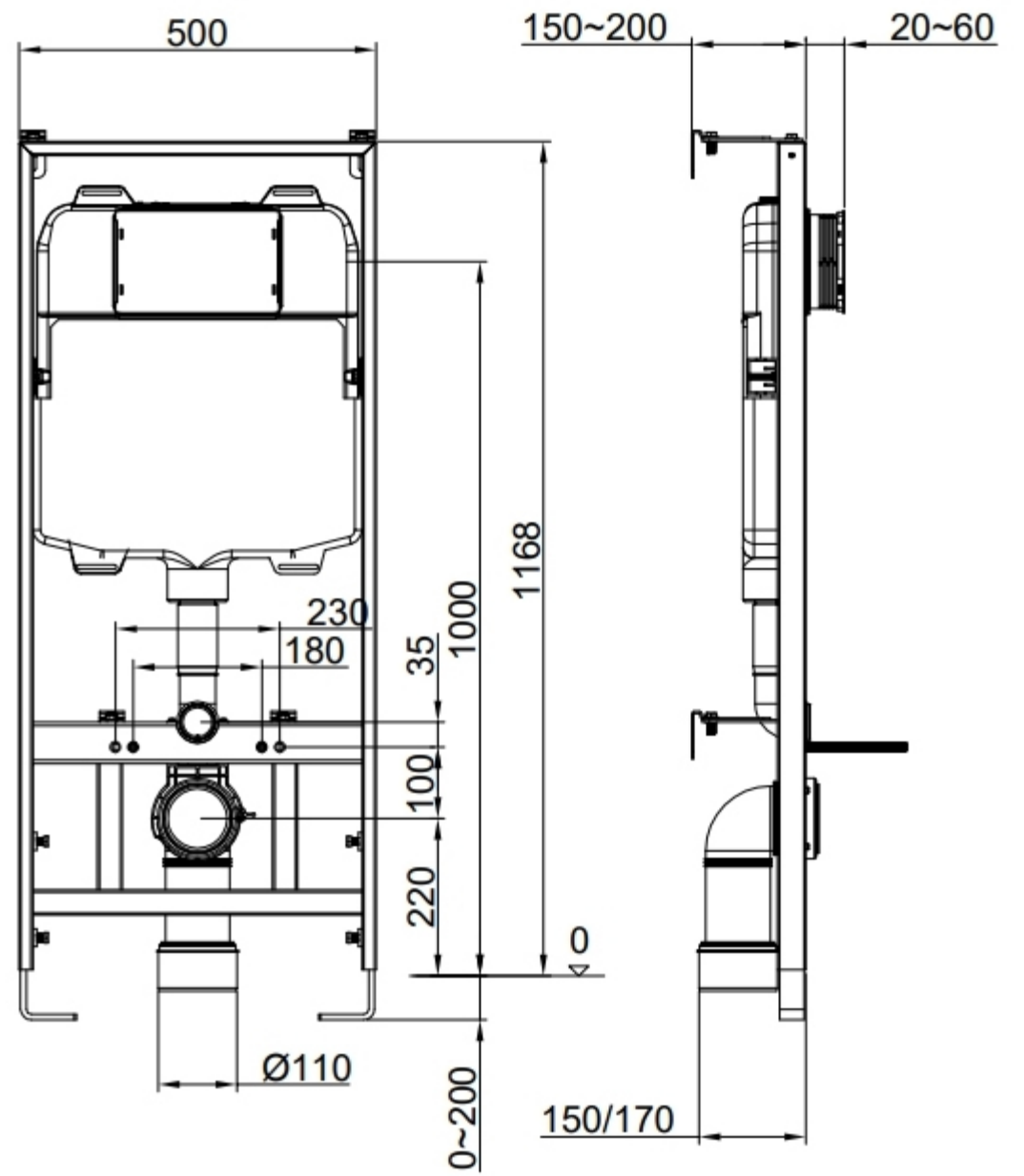
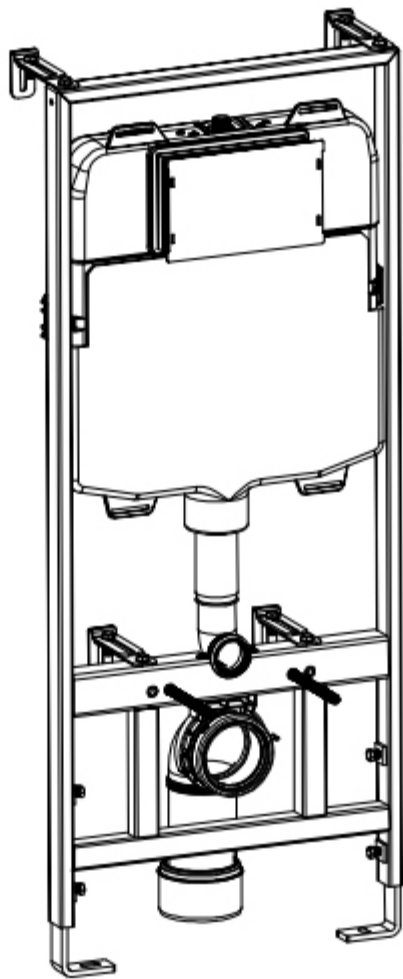
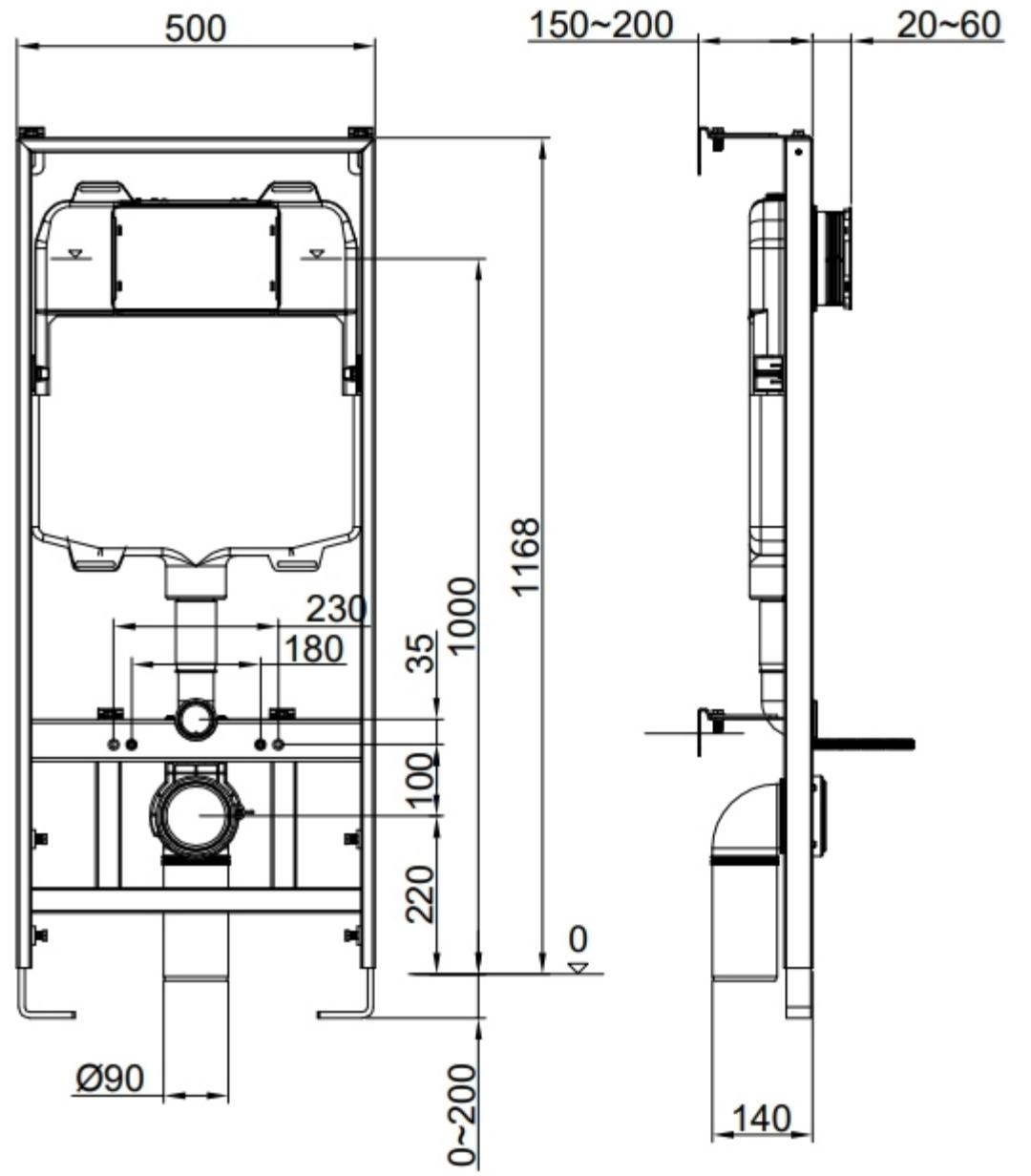
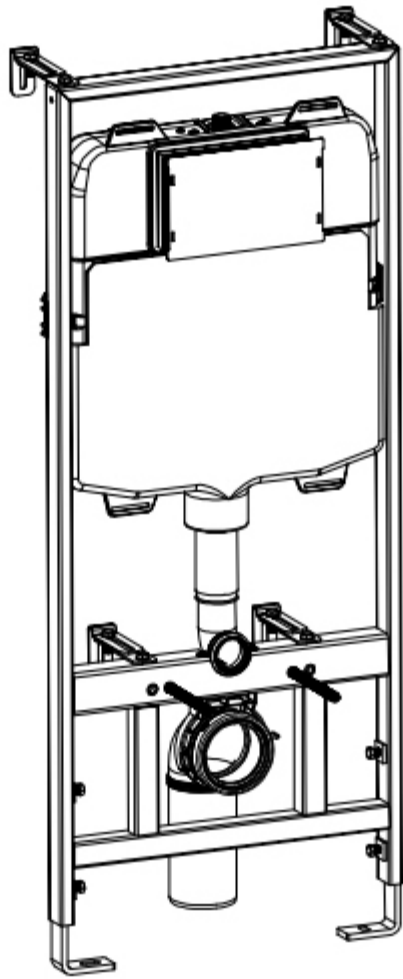
Image for illustration purposes only, actual parts may differ



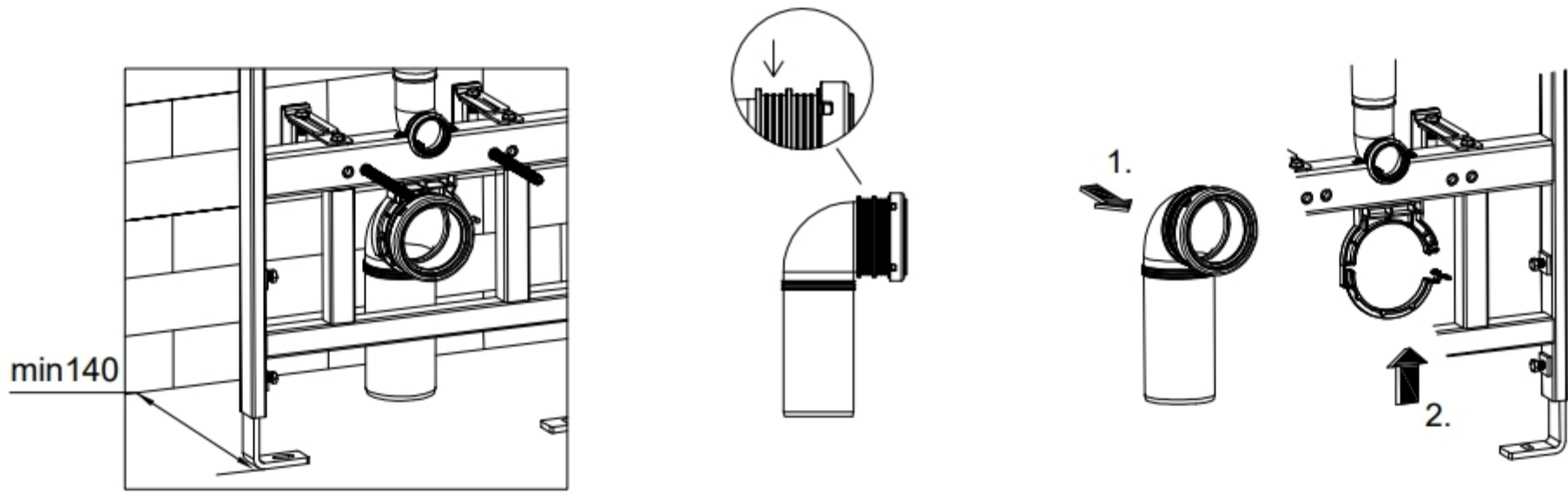
Aqua-Sigma part No WFM-1168-PDF  
Professional Instalaltion recommended  
Tools and multiperson assembly required

1

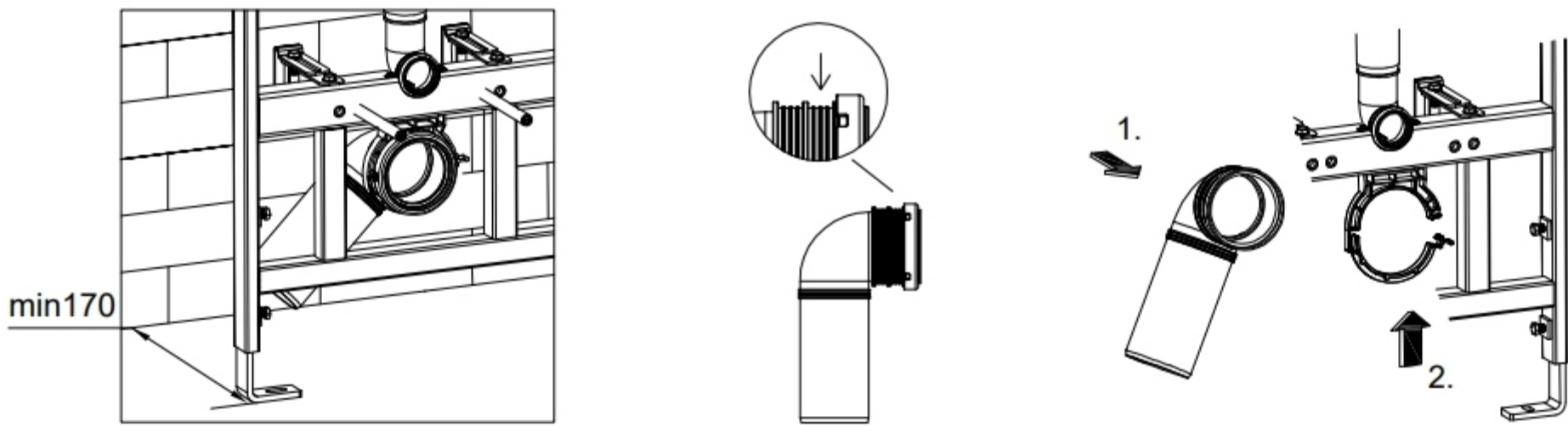
Dimensions:



Installation of flush bend :

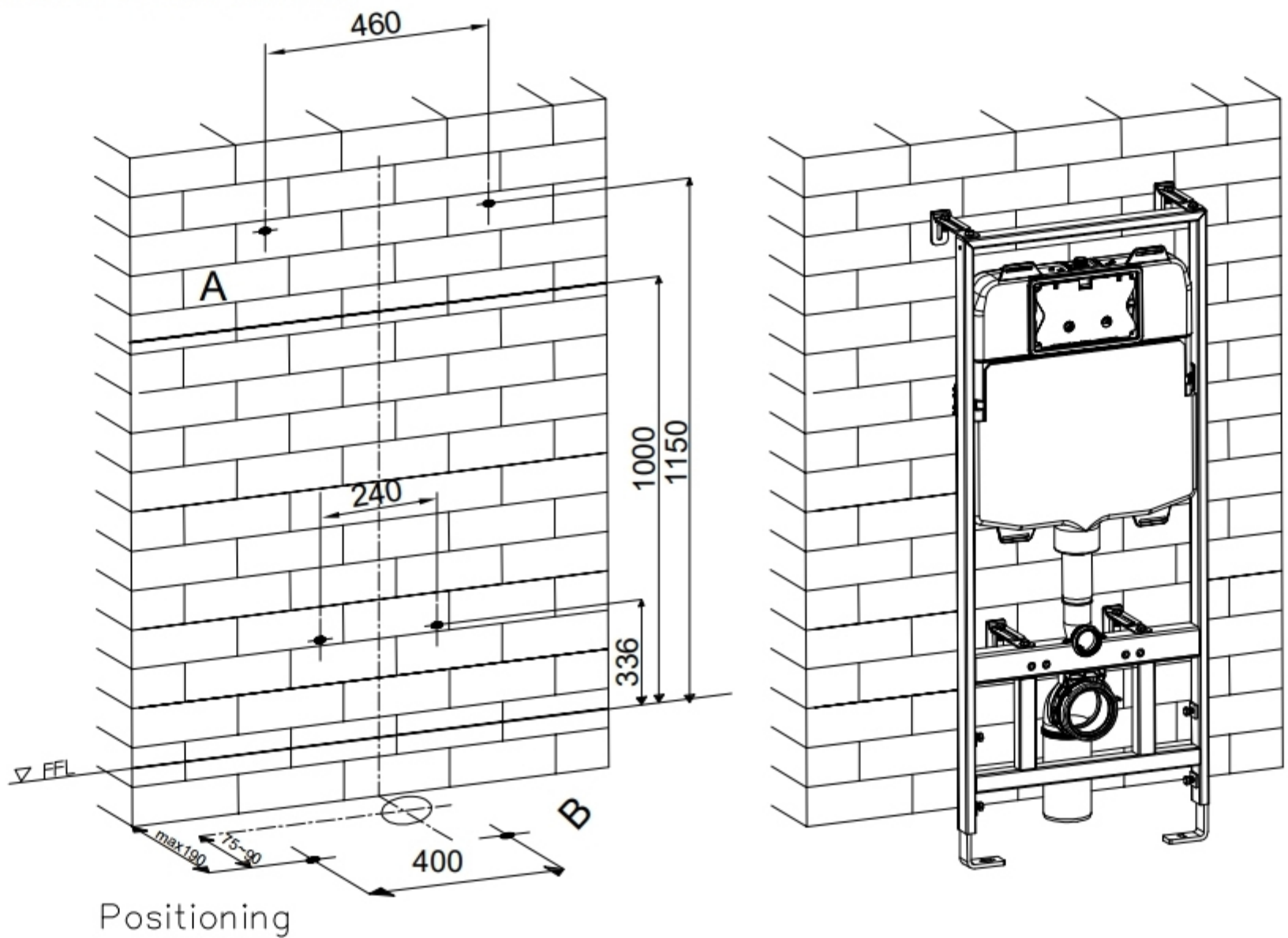


Fix the flush bend straightly



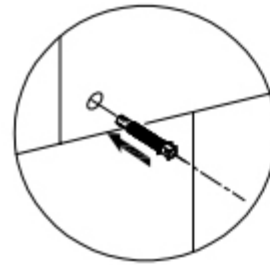
Fix the flush bend askew

Installation of the frame :

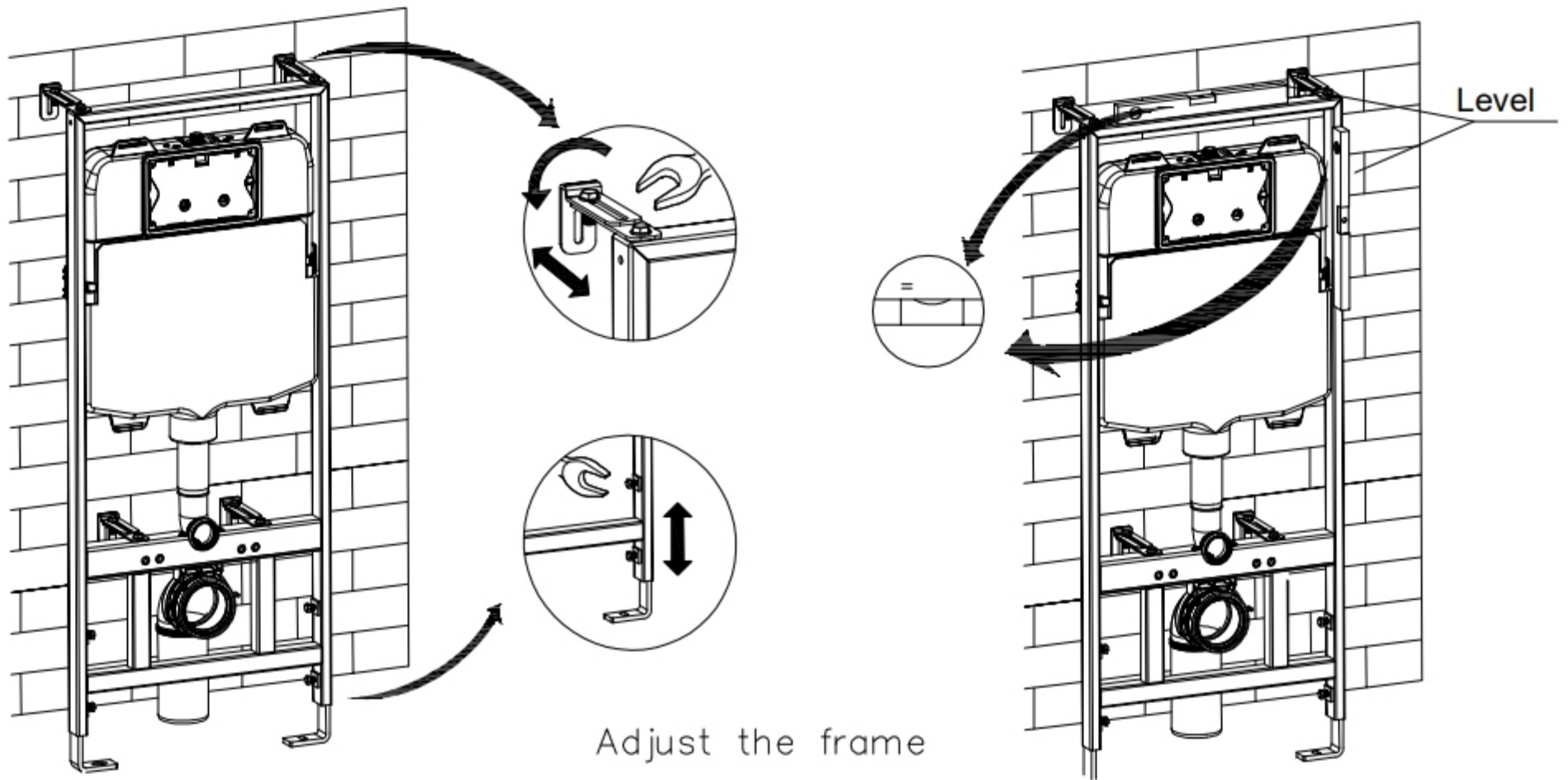
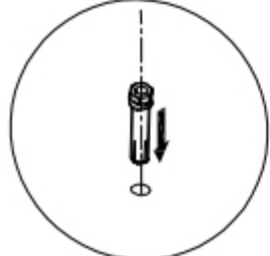


3

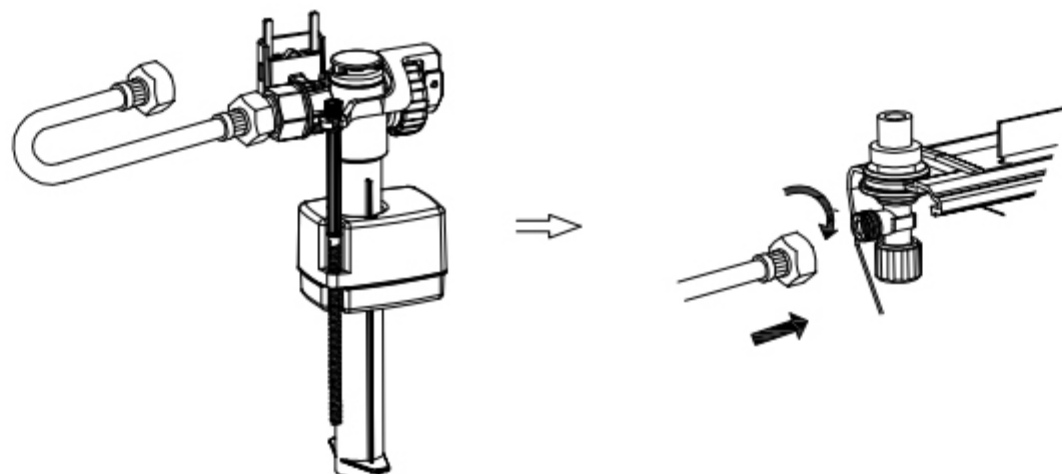
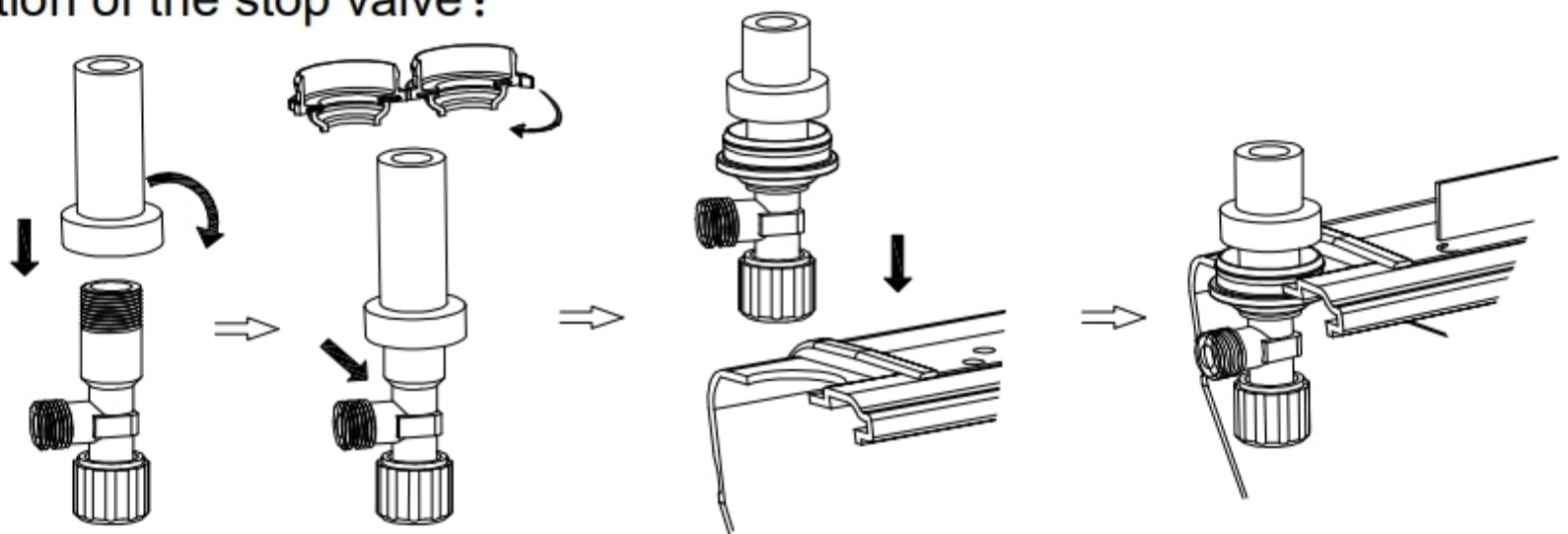
A  
Position on wall



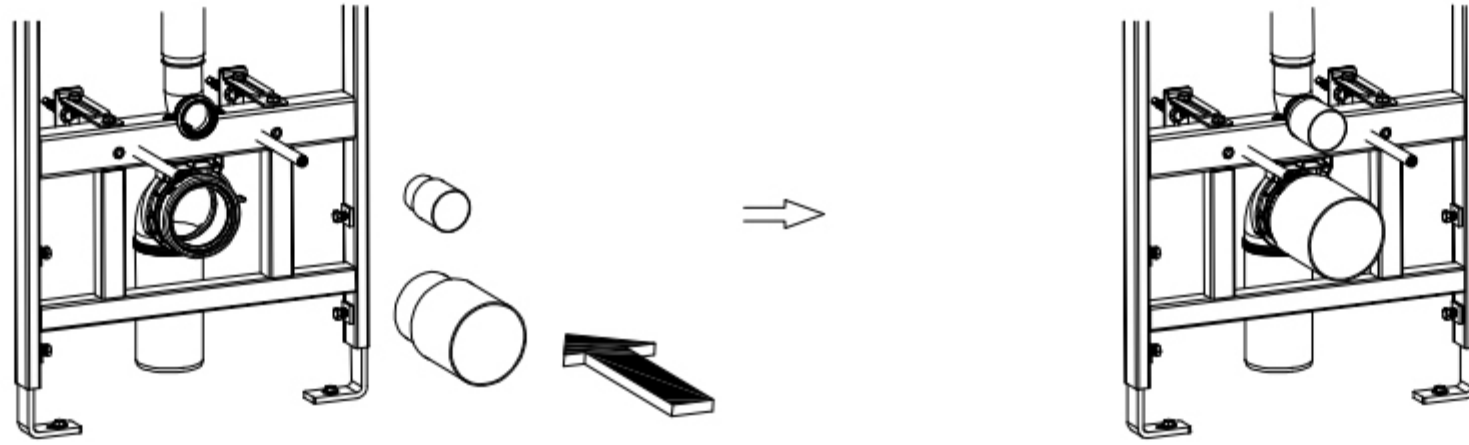
B  
Position on floor



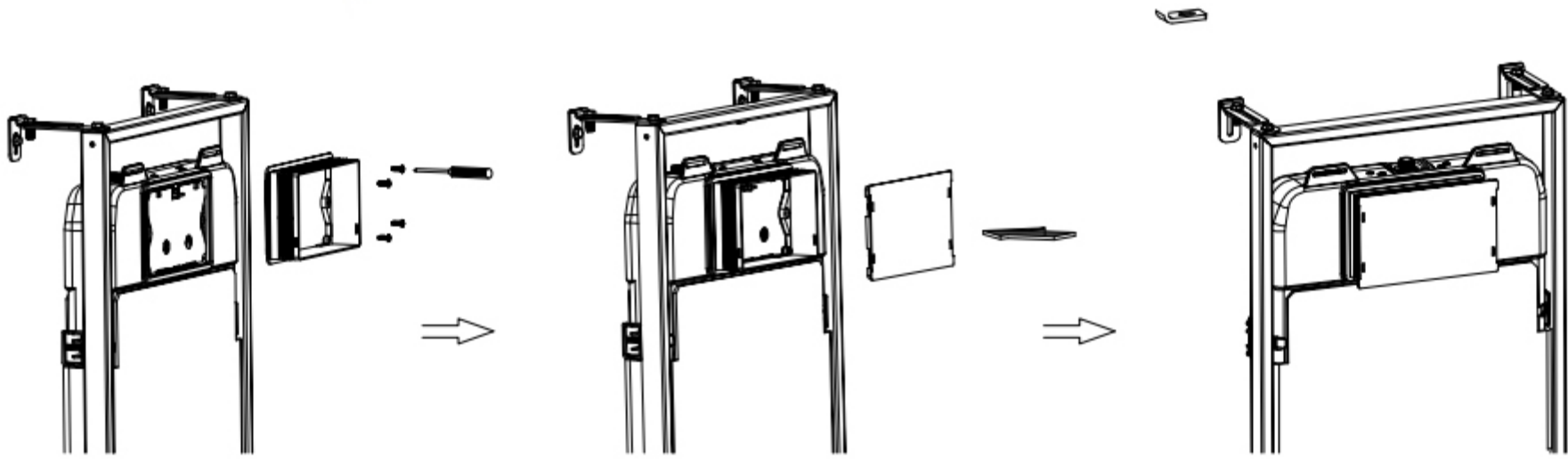
Installation of the stop valve :



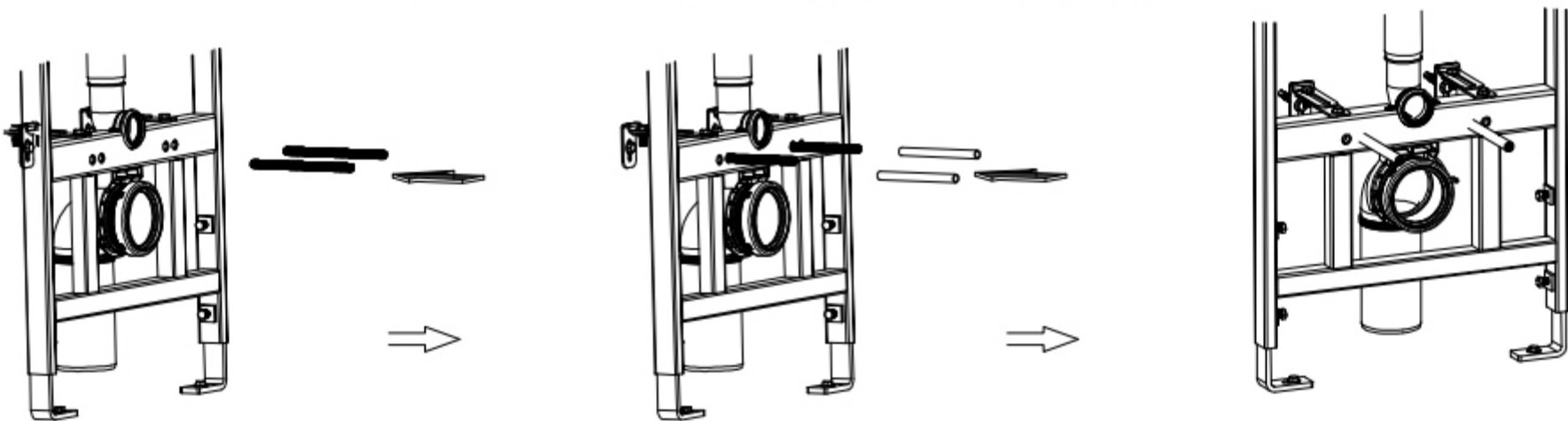
### Installation of bend plug :



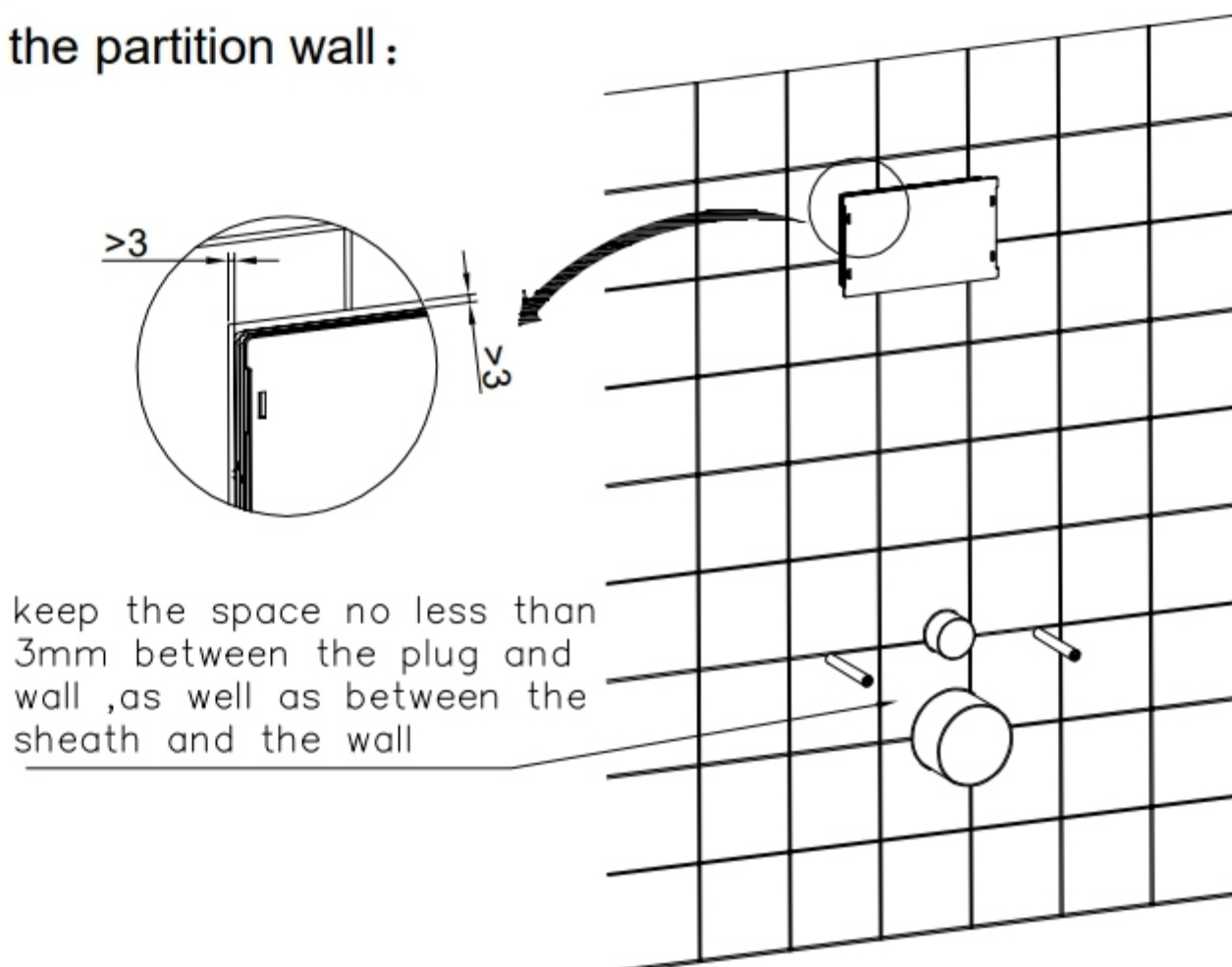
### Installation of protective case :



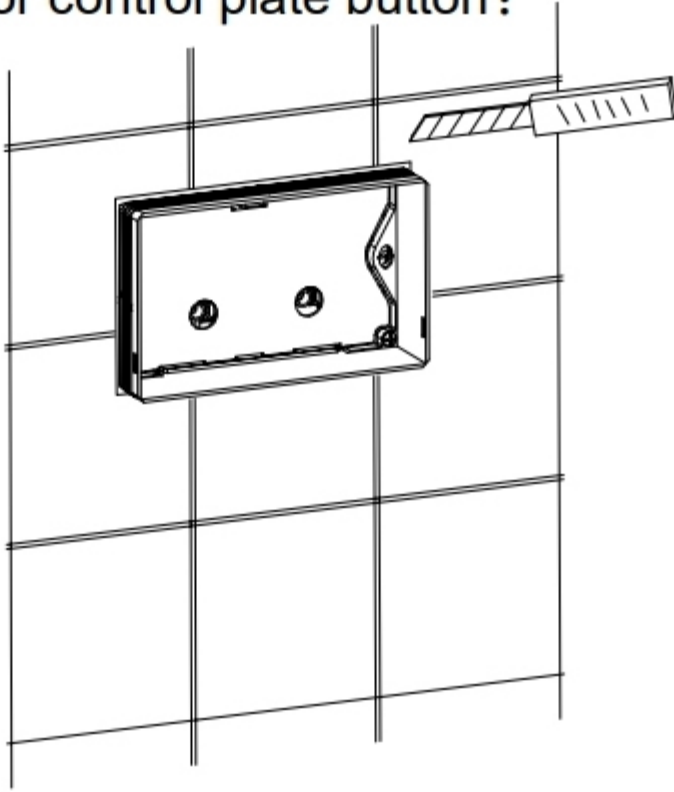
### Installation of the threaded rod kits and flexible sheath :



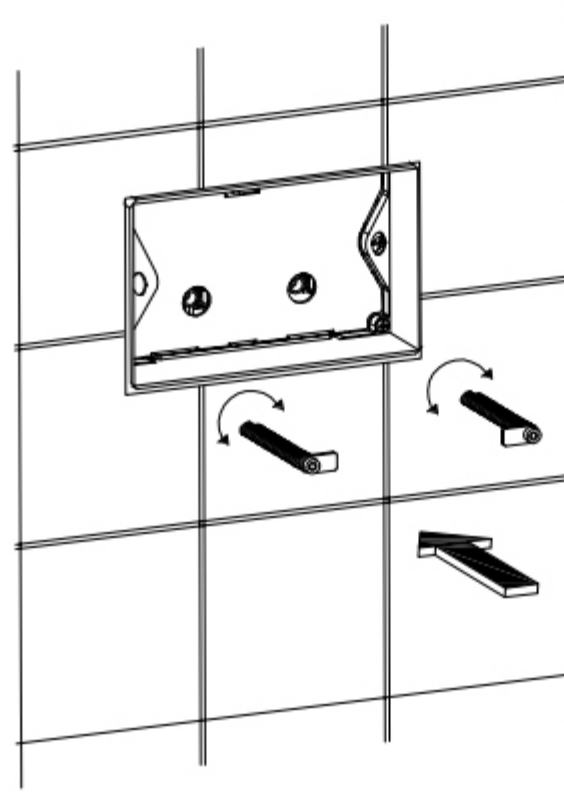
### Build the partition wall :



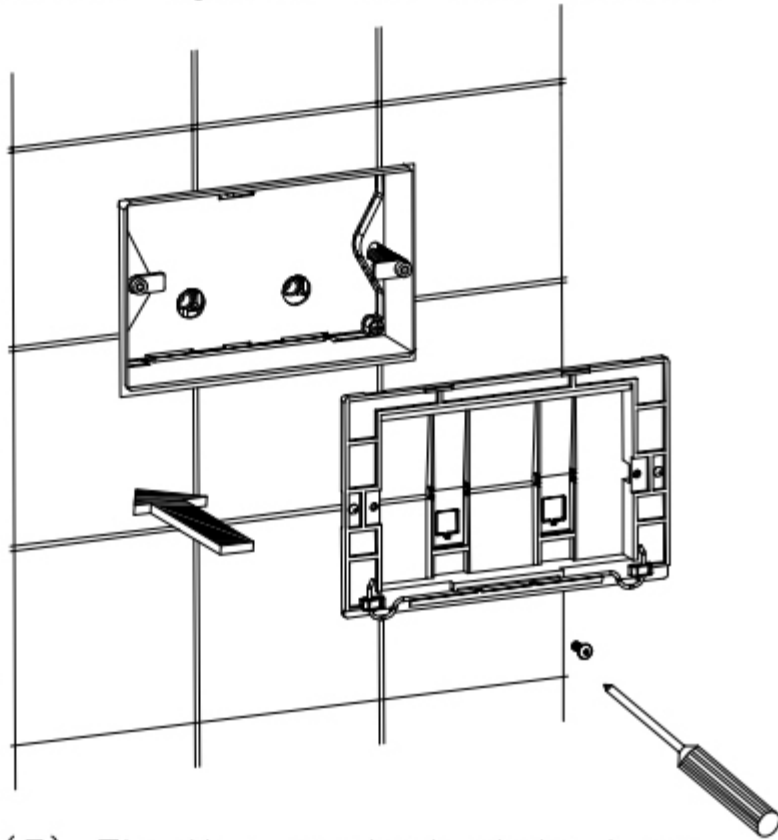
Installation of control plate base and connective levers  
for control plate button :



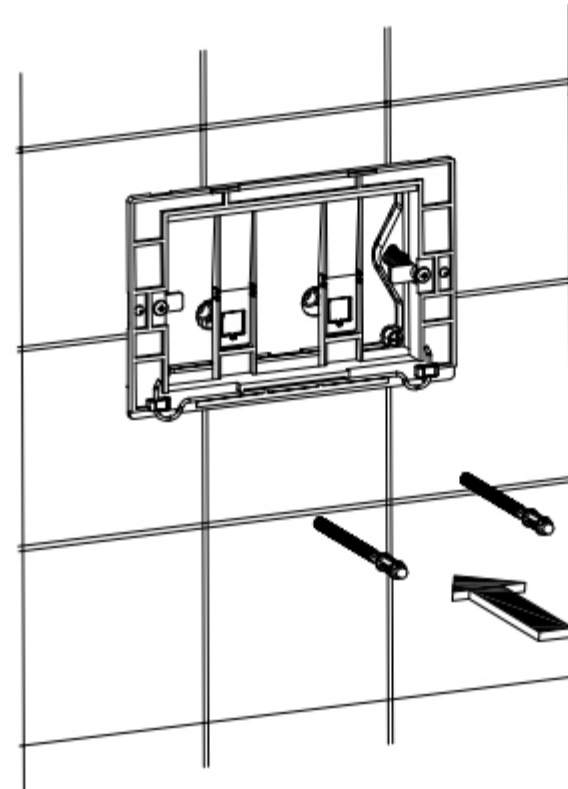
(1) Flattening the protective case frame against the wall surface



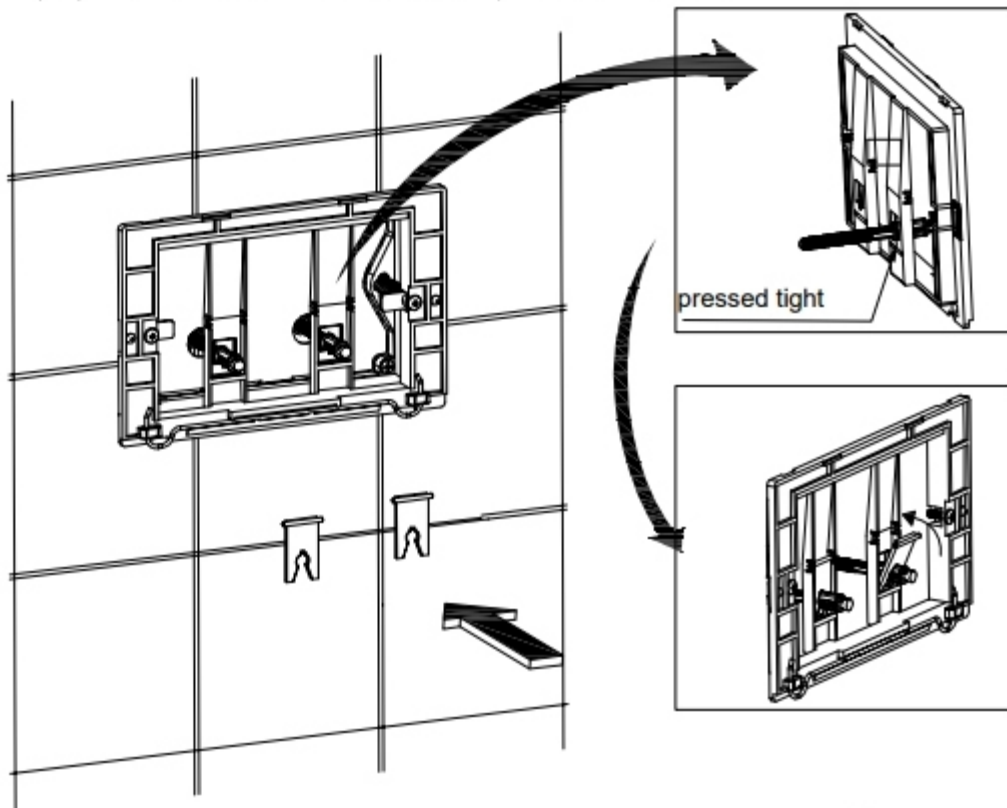
(2) Screw in the levers for control plate



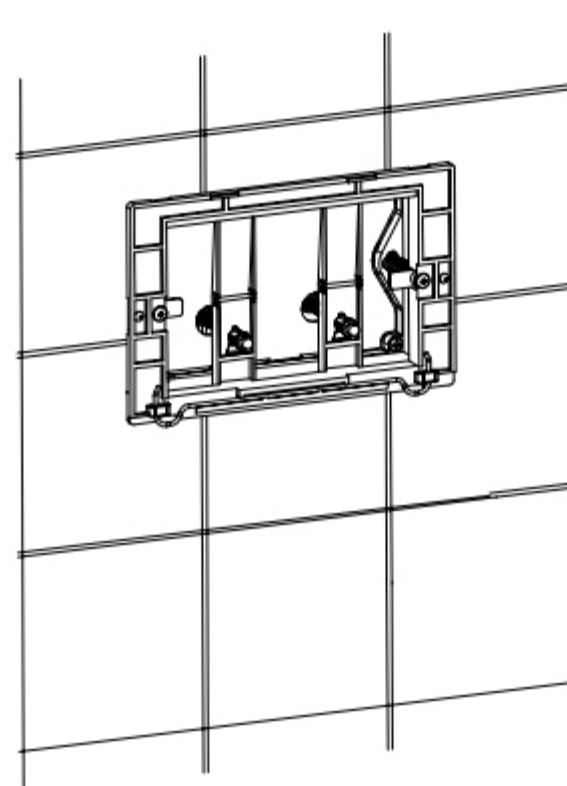
(3) Fix the control plate base



(4) Screw in the connective levers for buttons

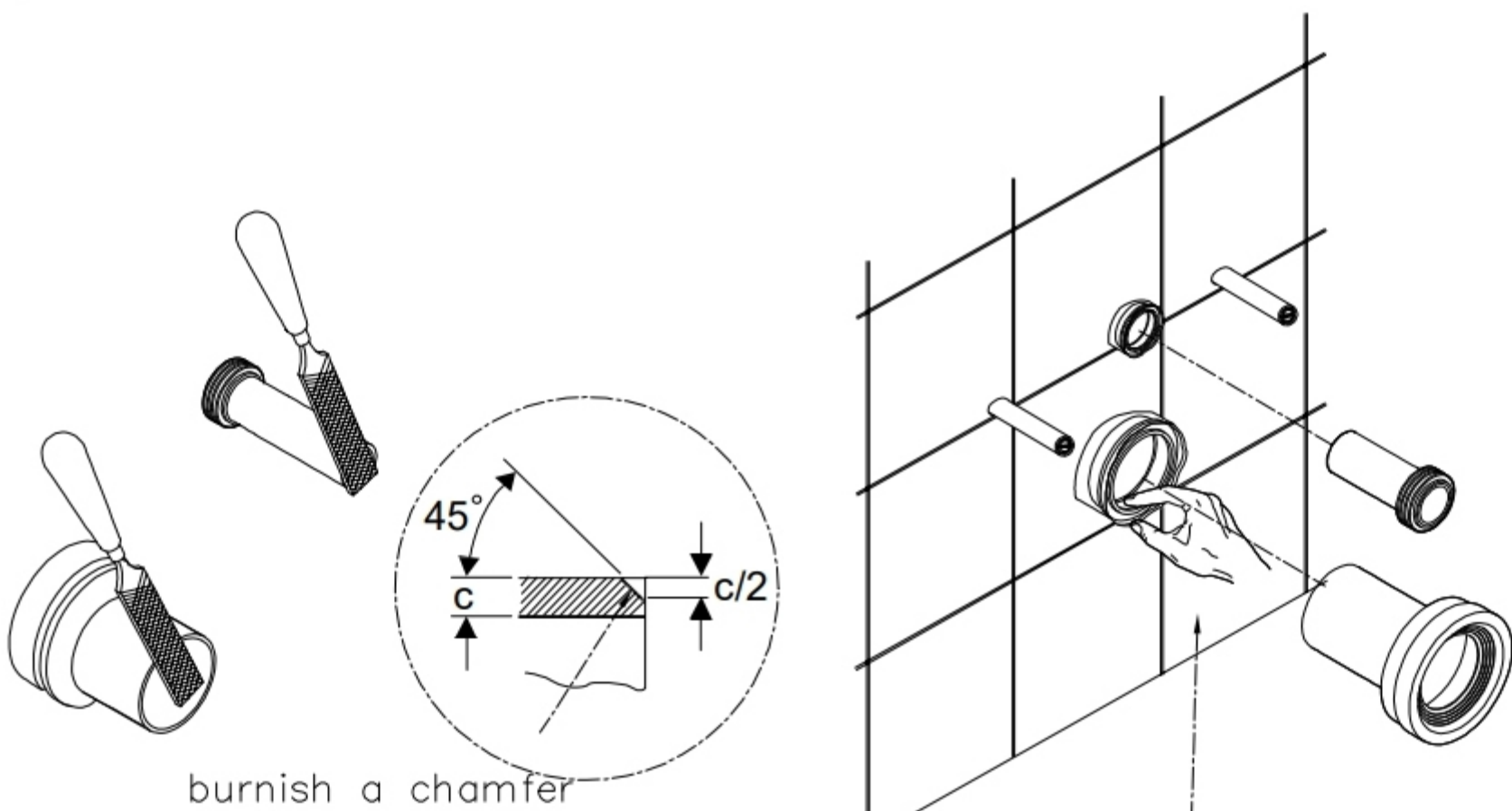
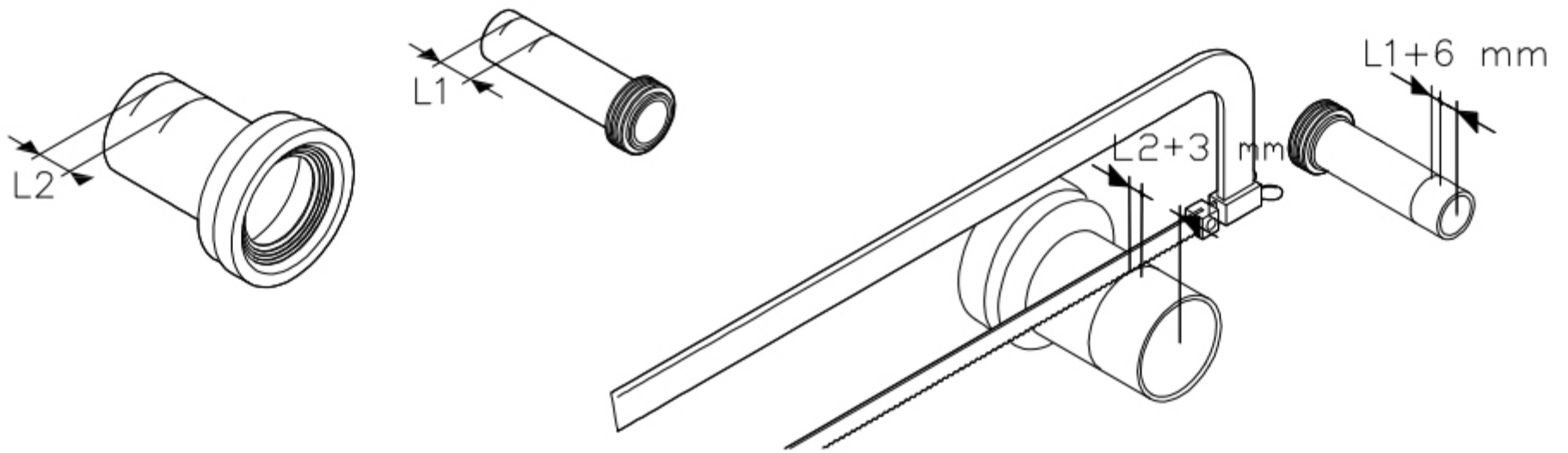
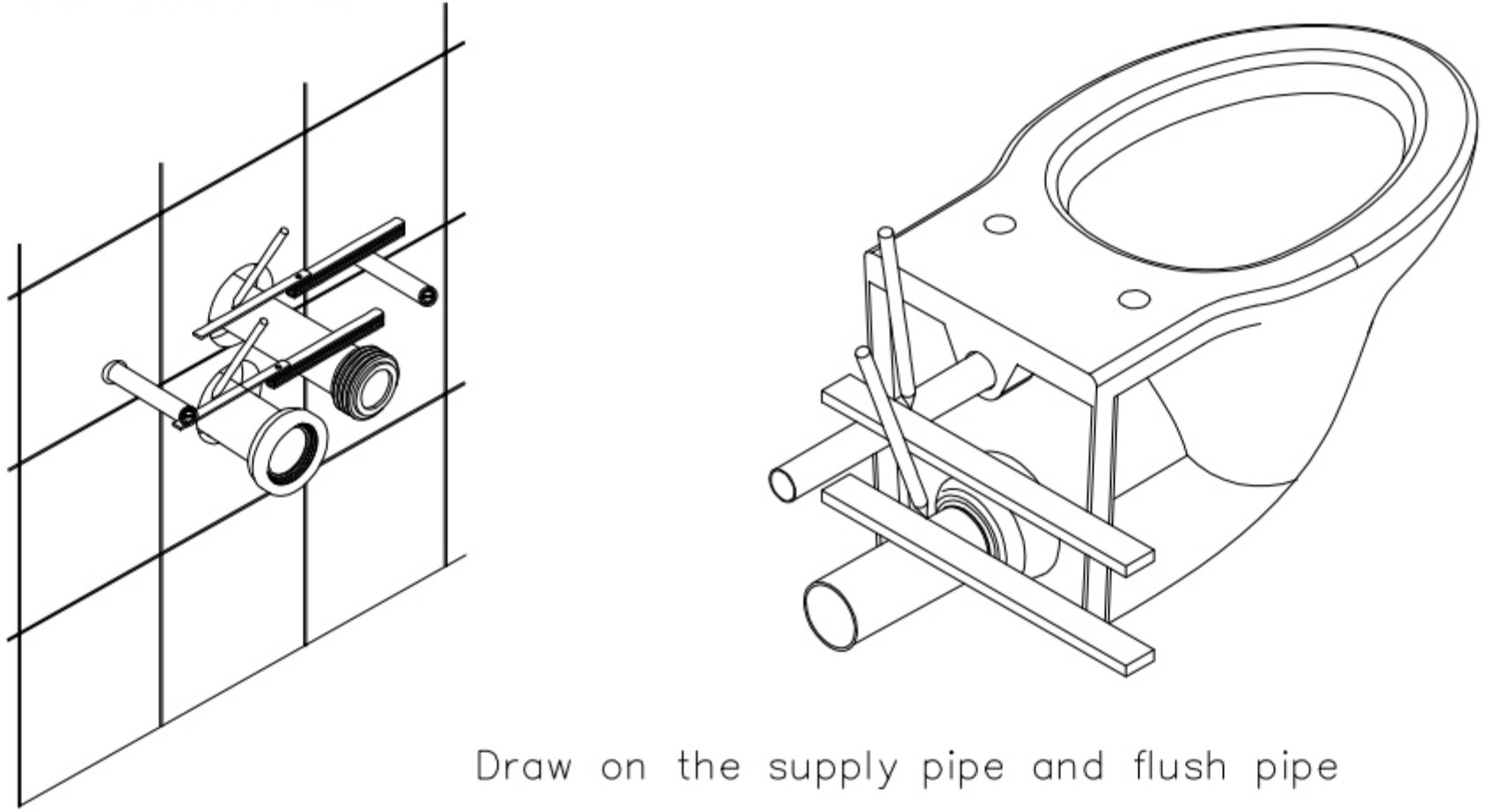


(5) Install the blocks as suggested



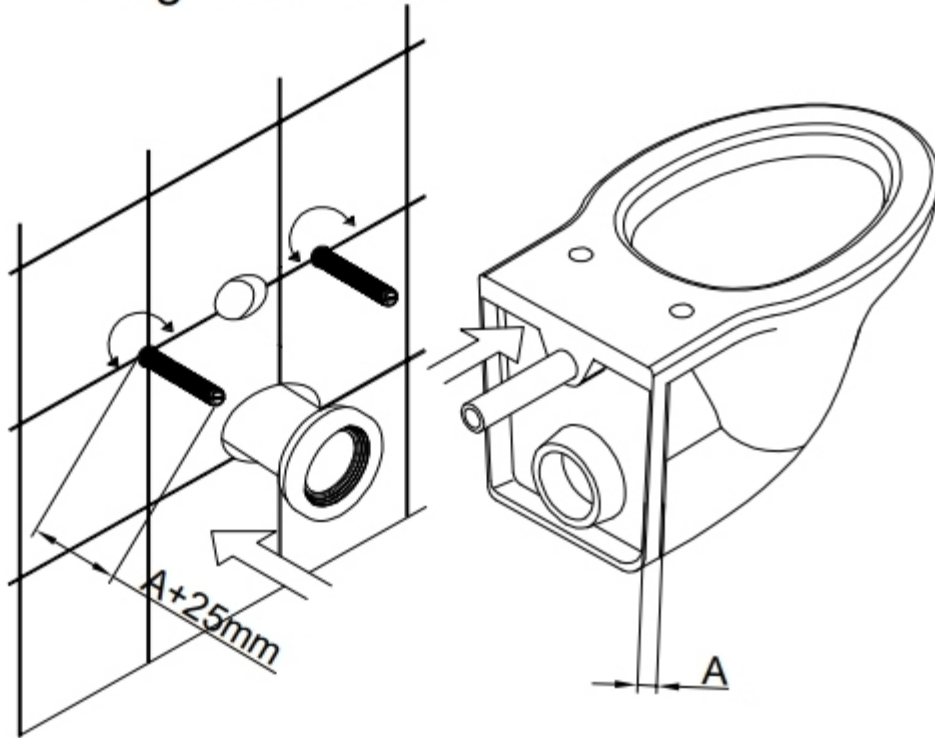
(6) Make sure the connective levers of button work well

Installation of the toilet:

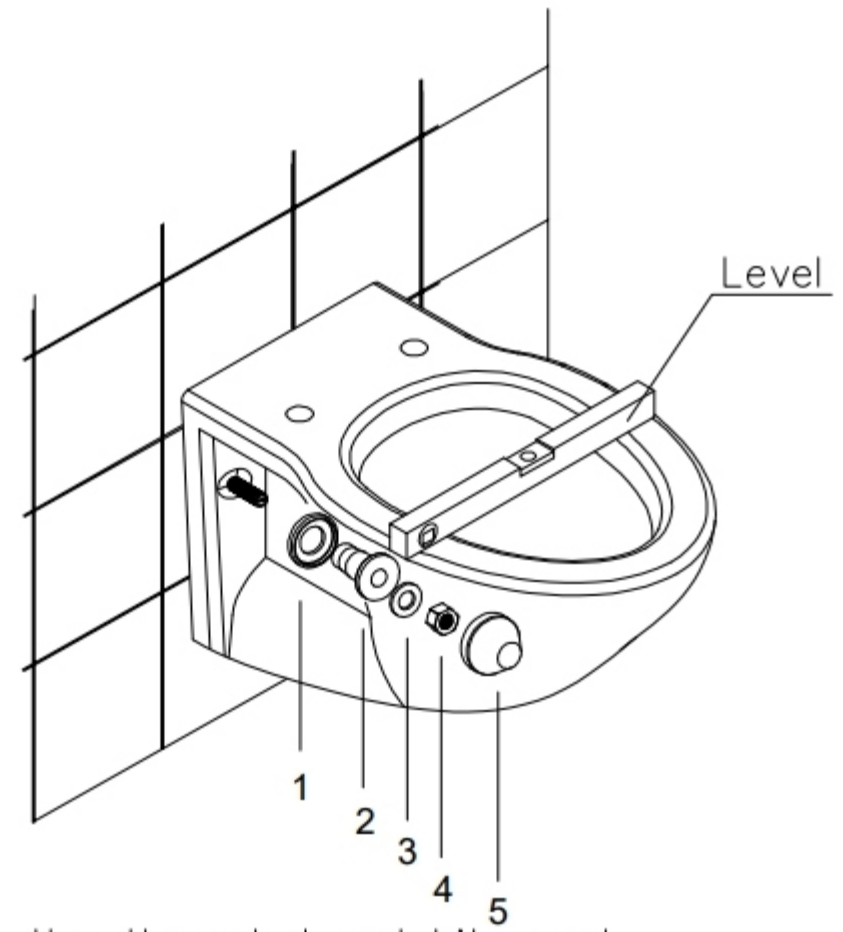


Burnish a chamfer on the head face of the supply pipe and flush pipe

### Fixing of the toilet

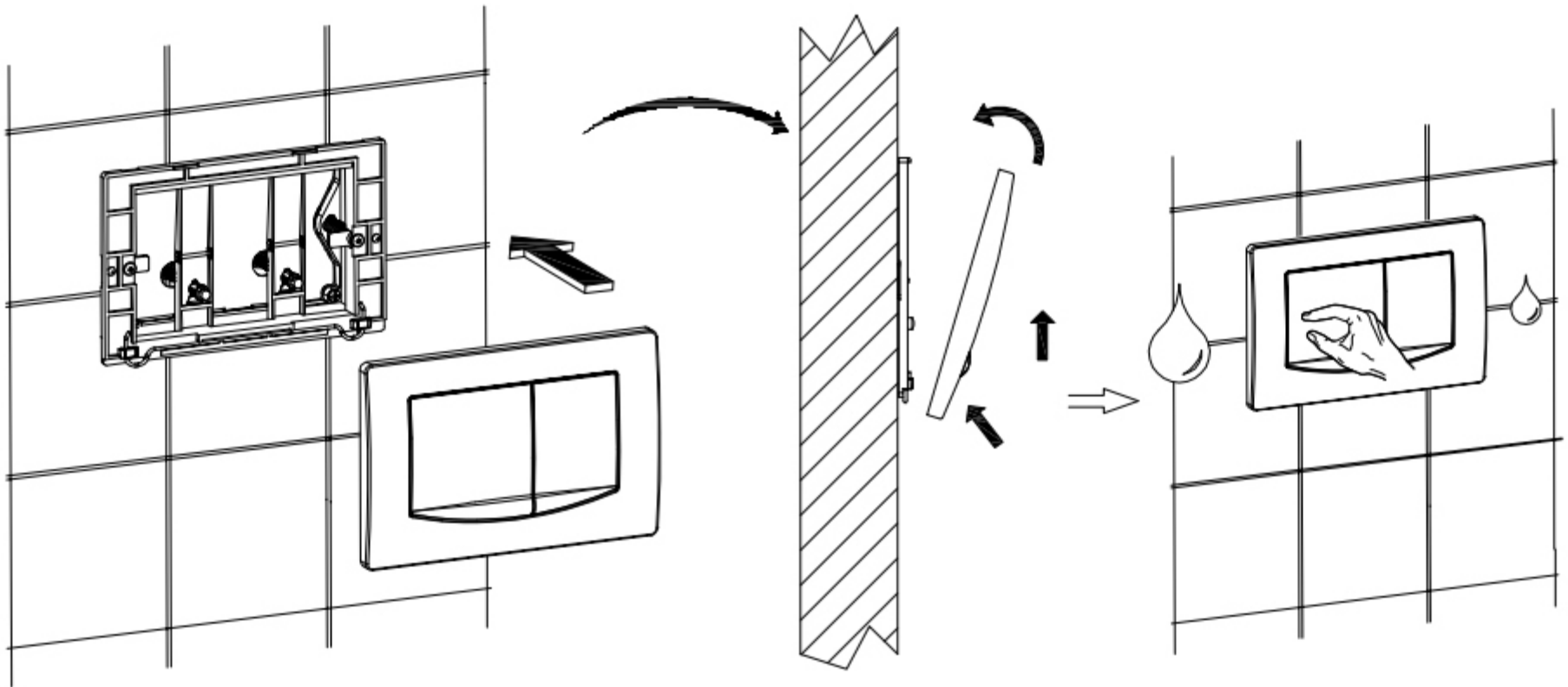


After removing flexible sheath, adjust the threaded rod exposed outside. Then fix the supply pipe onto toilet and the flush pipe onto wall.

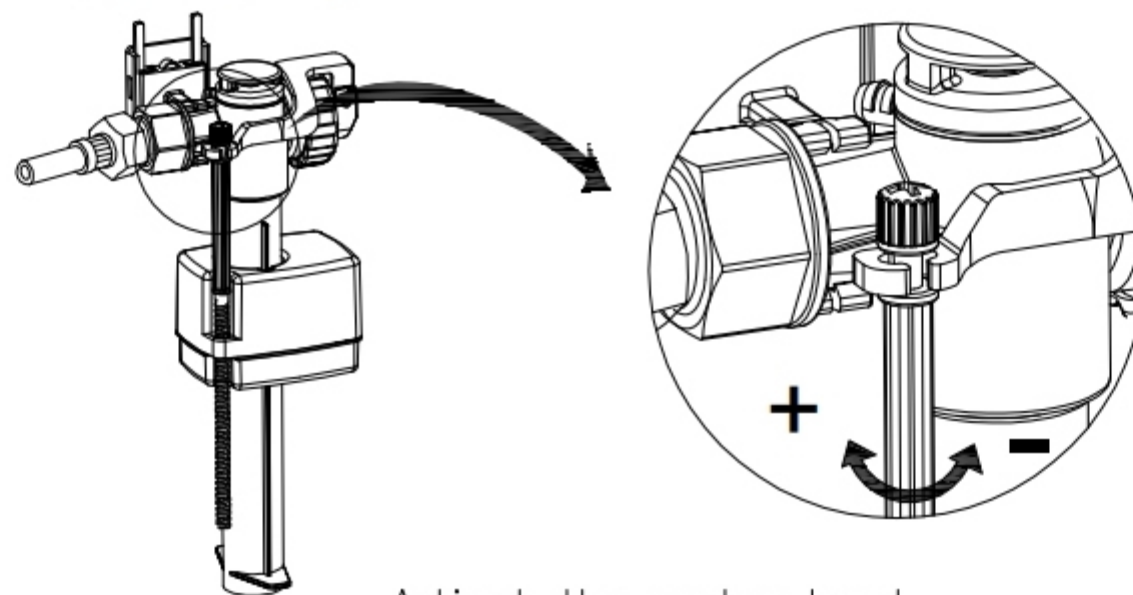


Fix the threaded rod kits and adjust the toilet to right position.

### Installation of control plate :

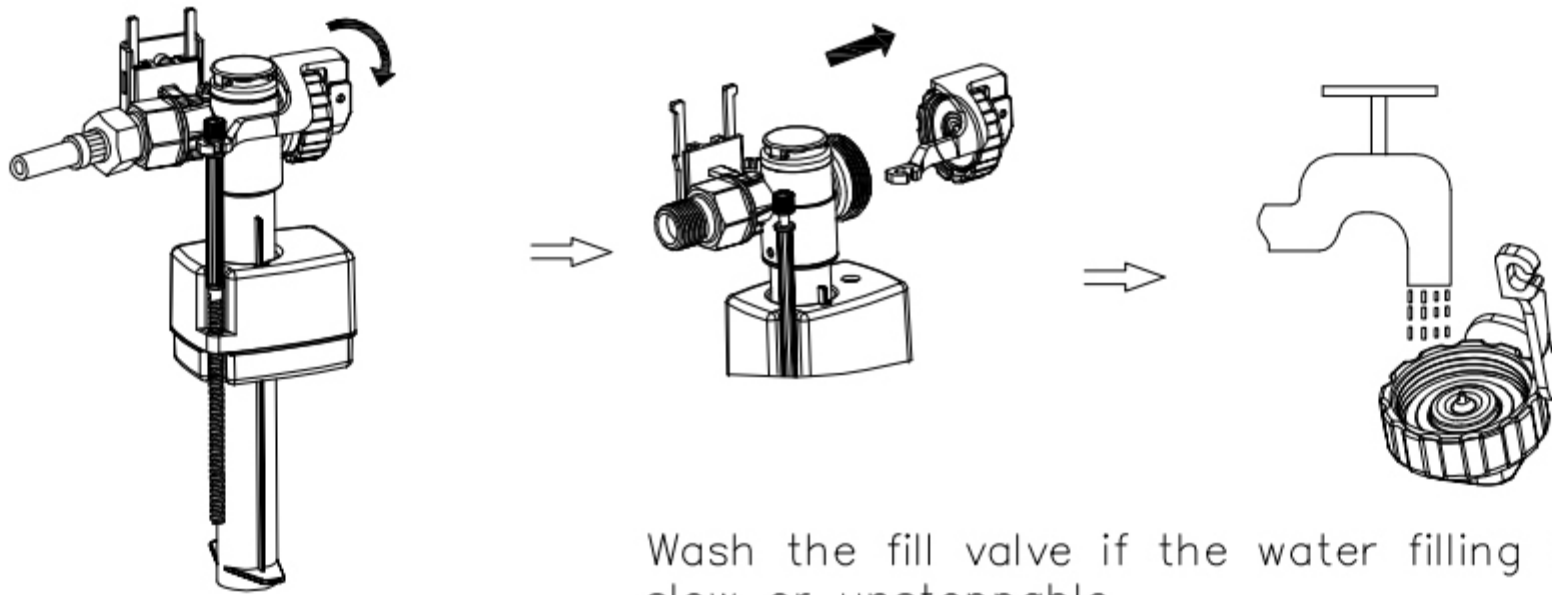


### Maintenance of the cistern fittings :

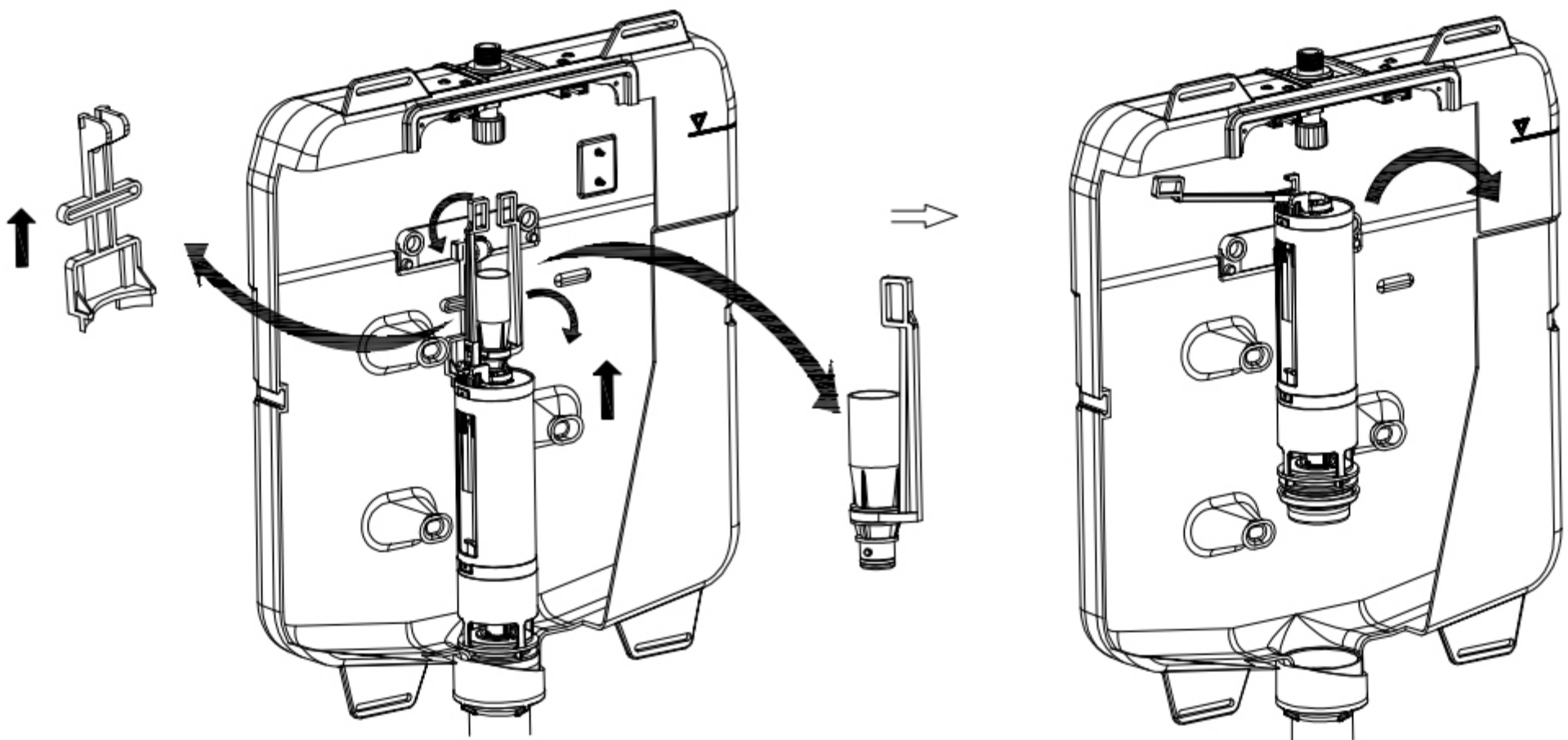


Adjust the water level

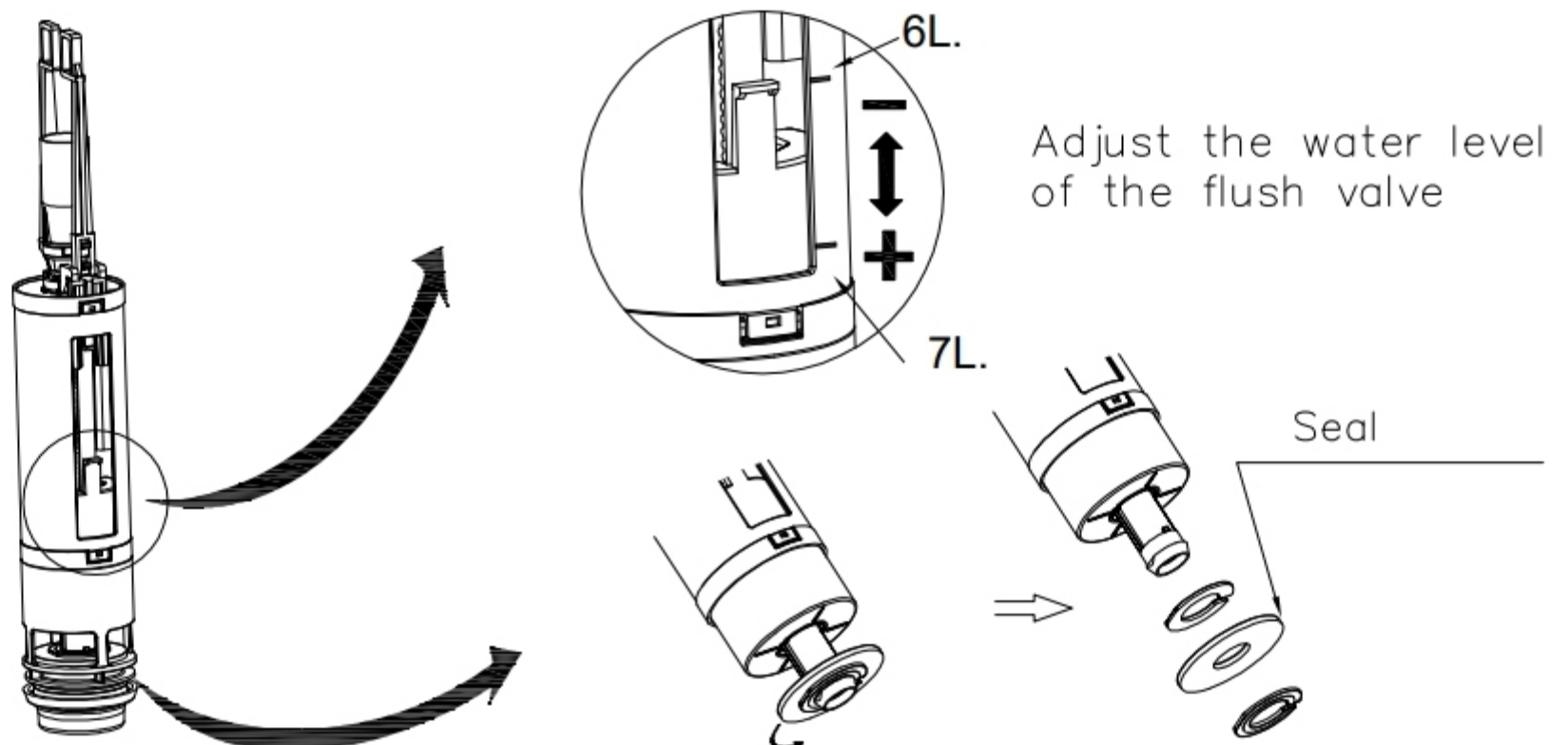




Wash the fill valve if the water filling gets slow or unstopable



Installation & remove the flush valve



Adjust the water level of the flush valve

Maintenance of the seal

Spare parts:

