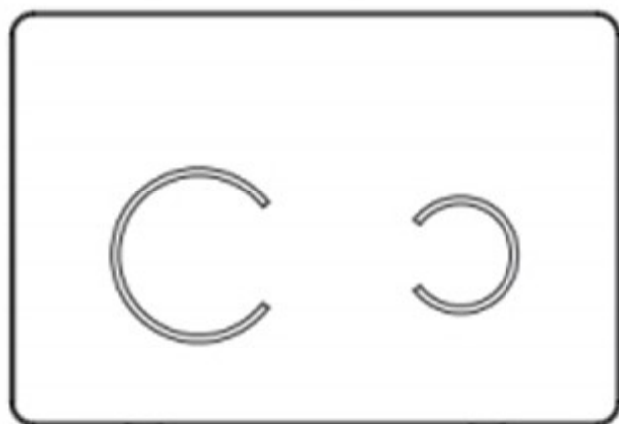




## Touchless Flush Plate with manual override button



TWS-6000-WHT

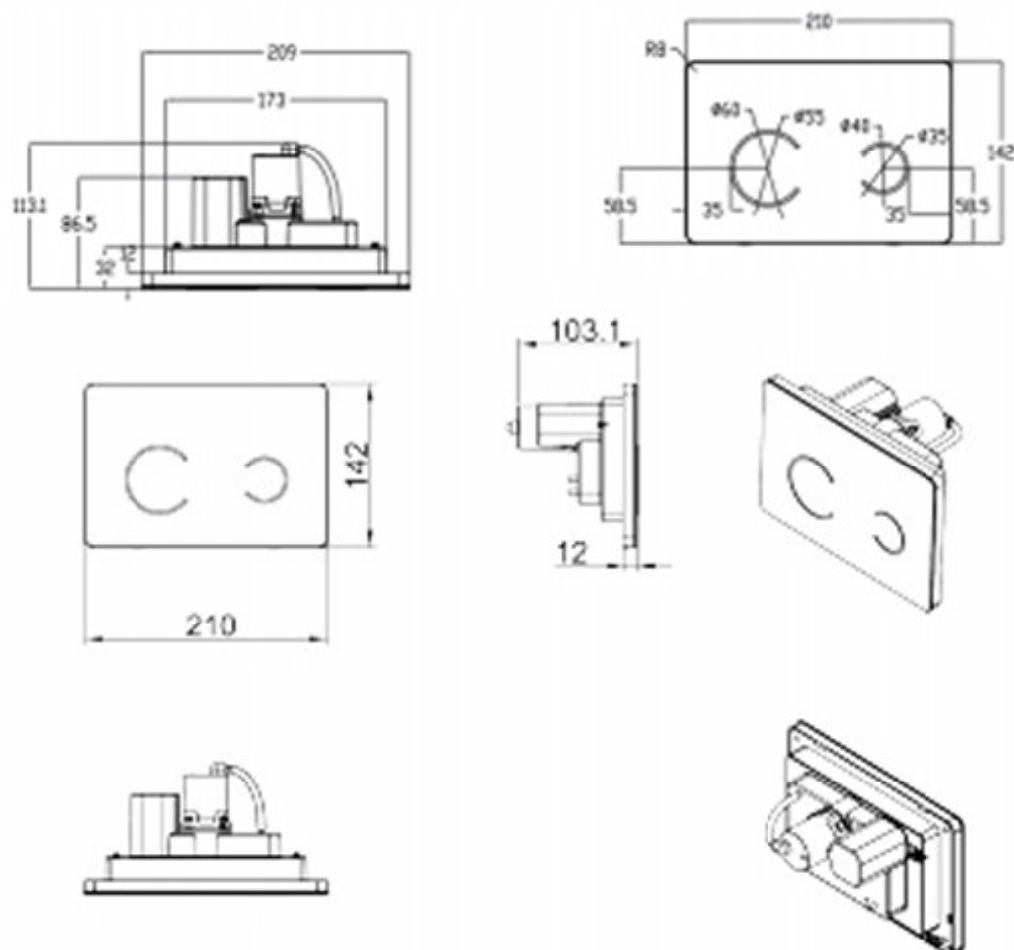
TWS-6000-BLK

- Touchless Operation
- Low Battery Warning
- Simple To Install

## IMPORTANT SAFETY INSTRUCTIONS

- There are no user maintainable parts, do not attempt to disassemble or repair.
- Ensure the flush plate is situated in the correct position before installation and is not exposed to excessive heat or moisture.
- The device should not be exposed to excessive knocks or bumps.
- If the accessories are damaged, they must not be used, and replacements should be ordered from the manufacturer or retailer.

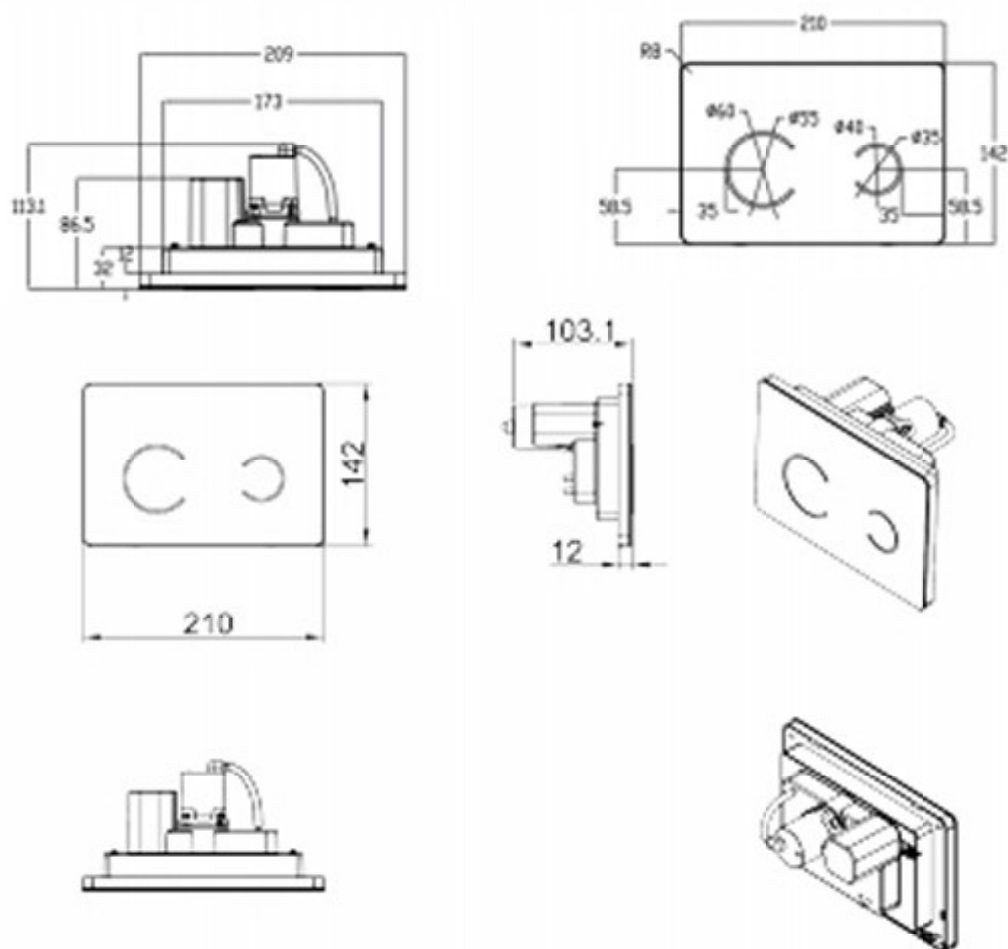
## PRODUCT OVERVIEW



### IMPORTANT SAFETY INSTRUCTIONS

- There are no user maintainable parts, do not attempt to disassemble or repair.
- Ensure the flush plate is situated in the correct position before installation and is not exposed to excessive heat or moisture.
- The device should not be exposed to excessive knocks or bumps.
- If the accessories are damaged, they must not be used, and replacements should be ordered from the manufacturer or retailer.

### PRODUCT OVERVIEW



## OPERATION

When the unit is first powered on, a long beep will be made, at the same time the indicator lights of full-flush and half-flush lights will illuminate for a few seconds before flashing 3 times. Then the product will then be ready to use.

- **Reduced Flush:** Hover your hand over the smaller right-hand circle to activate the flush. The LED light will illuminate.
- **Full Flush:** Hover your hand over the larger left-hand circle to activate the flush. The LED light will illuminate.

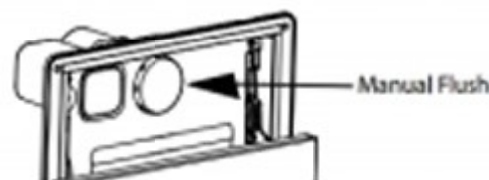
If the flush plate is touched for more than 5 seconds it won't flush.

## LOW BATTERY

When the battery power is low, the product can still work normally. The LED light will flash 10 times and an alarm will sound for 10 seconds to remind the user the batteries are low. When there is no power, the LED light will slowly flash with a frequency of 2 times per second and the bell will sound. If batteries are exhausted completely, the glass panel can be removed to reveal the manual flush button. The manual over-ride is not intended as a long-term solution.

## MANUAL OVERRIDE

When using the manual push button, un-plug the cable ribbon and take the front glass off the chain links. Keep safe to prevent damage.



## SPECIFICATIONS

Batteries	4 x AA (not included)
Ingress protection	IPX4
Sensor distance	0-60mm (from glass panel)
Sensing time	0.2-5 seconds
Weight	0.7 kg

CE / UKCA Certified

For further Information please call: 01442 843746