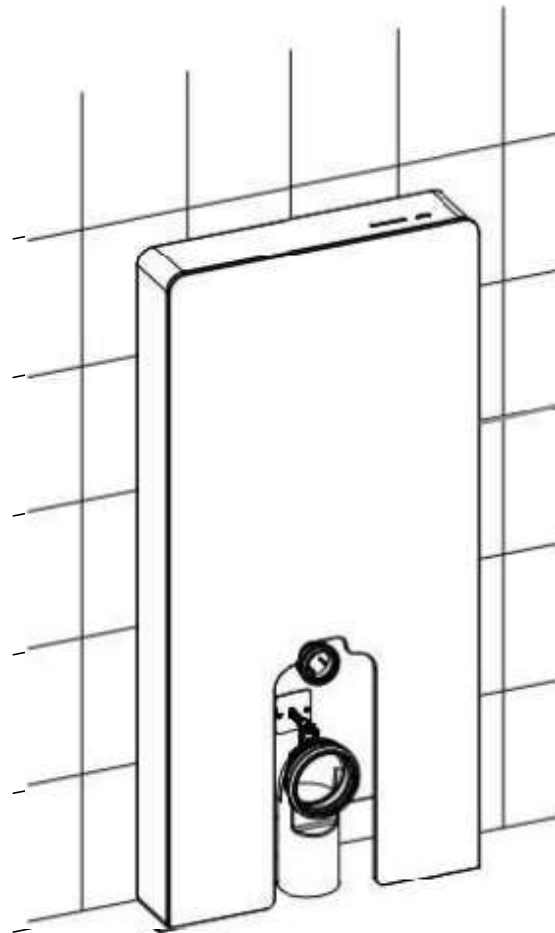


# Aqua-Sigma

## Touchless Floor Standing WC Cabinet



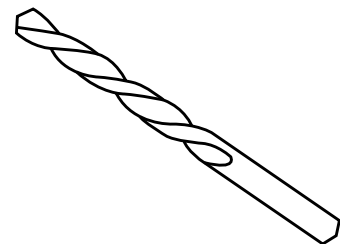
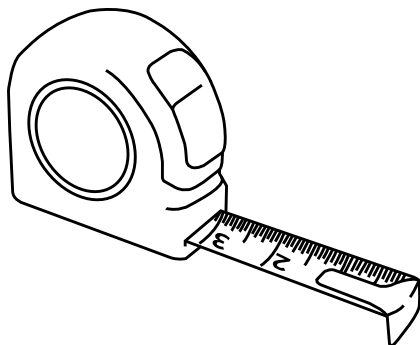
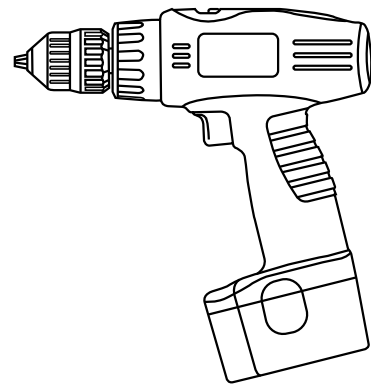
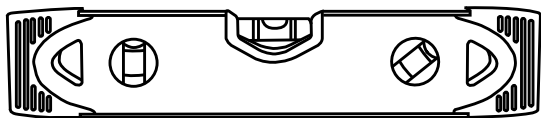
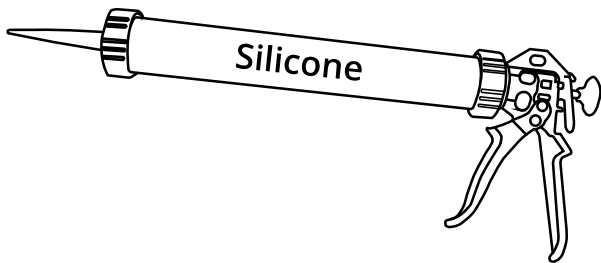
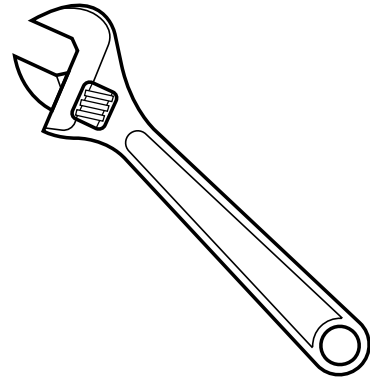
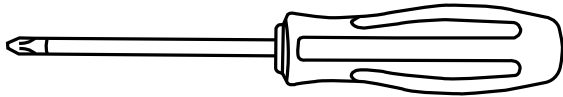
### Installation Guide

Models: TFS-8001-WHT & TFS-8001-BLK



















# Installation

---

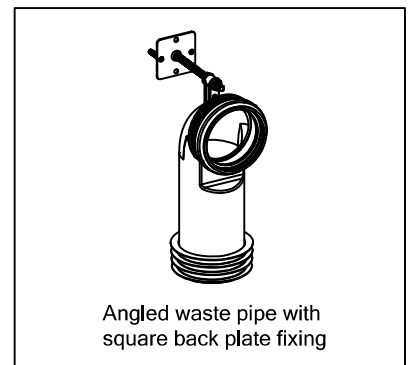
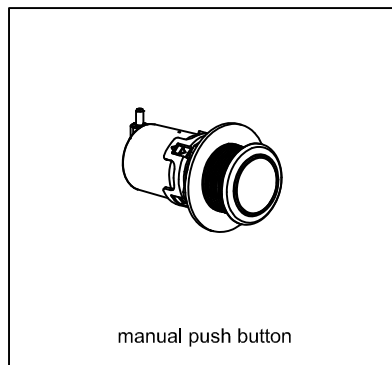
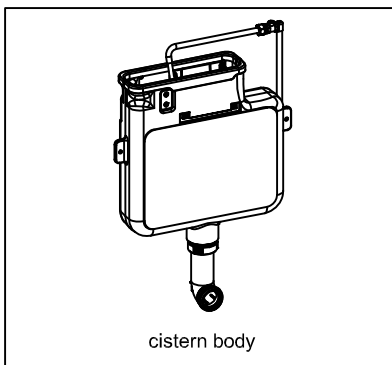
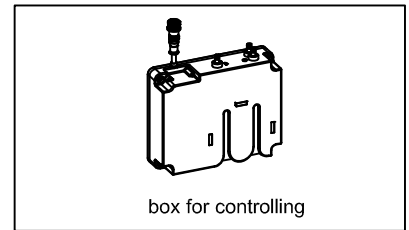
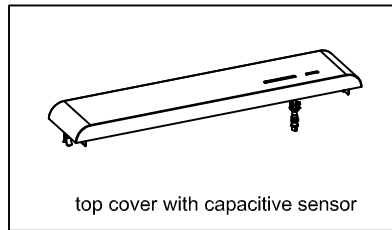
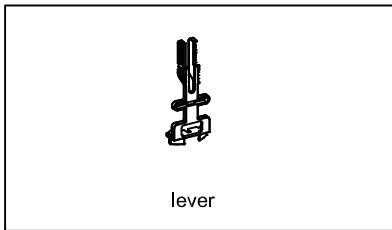
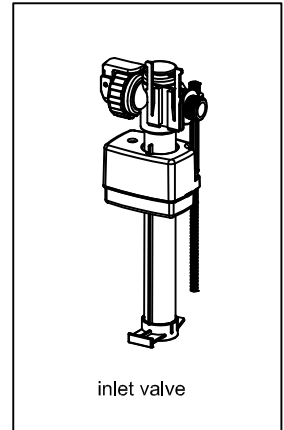
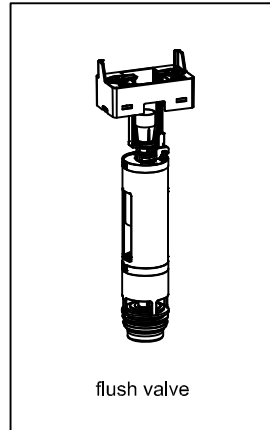
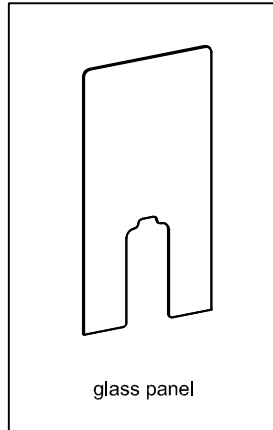
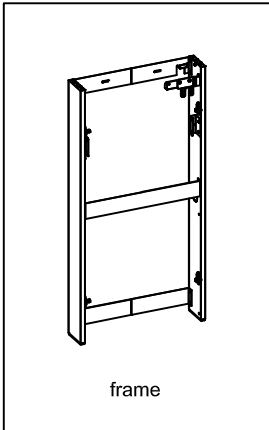
*Tools required for installing:*



## Parts Included

Item list	Names	Specification	Quantity	Item List	Names	Specifications	Quantity
	rubber seal	Ø110	1		expansion nut	Ø8*40	2
	Straight waste pipe		1		screw	ST4.8*45	2
	flush pipe		1		washer(small)	Ø11*1.2	2
	Angle waste pipe		1		washer (big)	Ø16*1.5	2
	rubber seal		1		M8 bolt		1
	full flushing air hose	transparent	1		M8 nut		2
	half flushing air hose	blue	1		Square back plate		1
	flush pipe		1			Ø6*30	2
	rubber seal on above pipe	Ø60	1			ST4.2*34	2

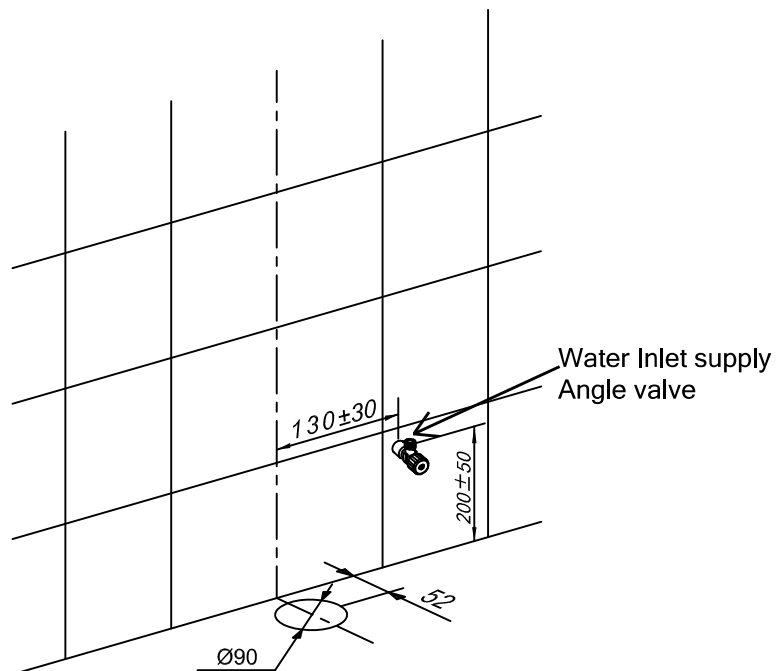
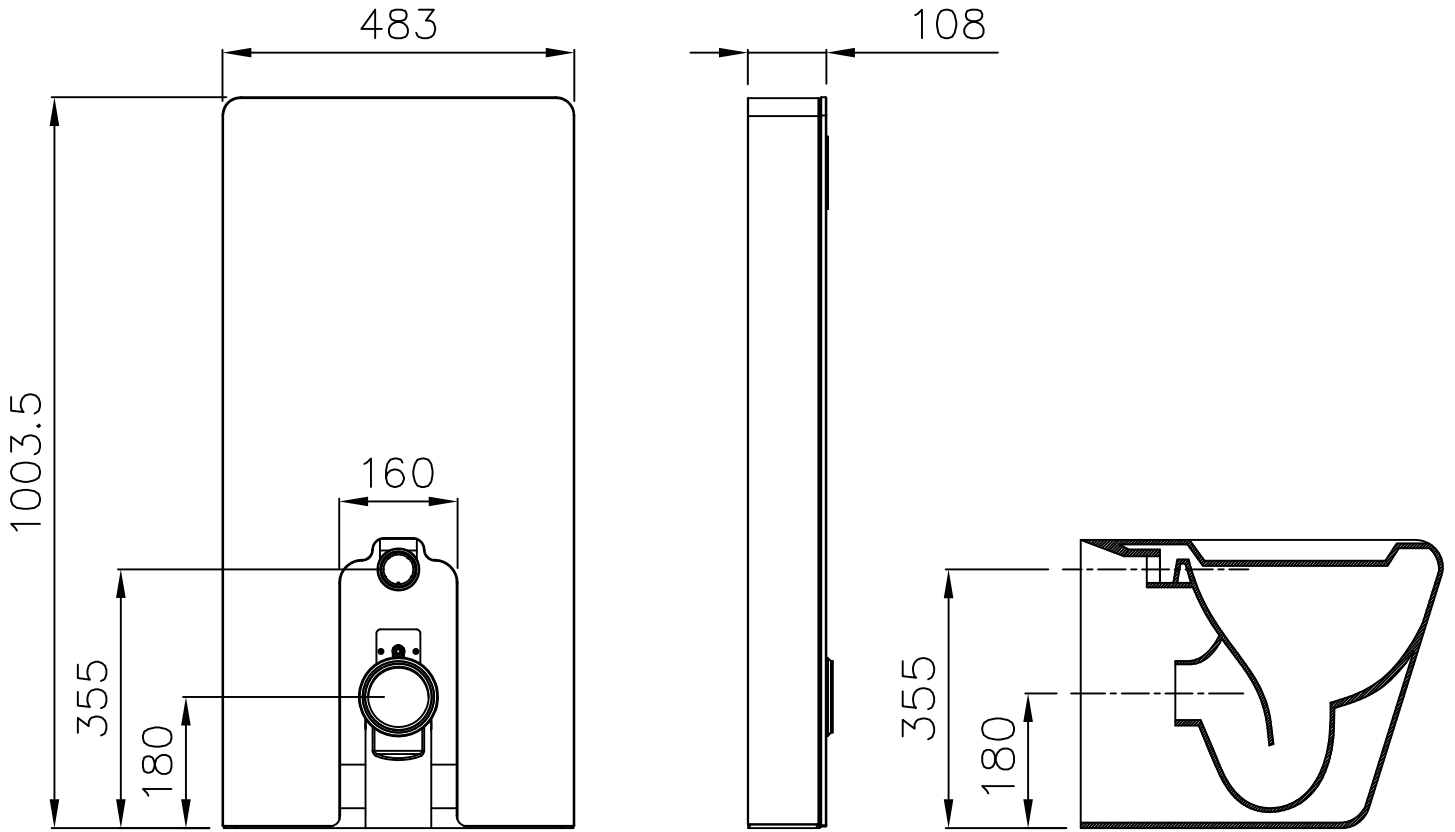
## Parts Included



# Technical Specification

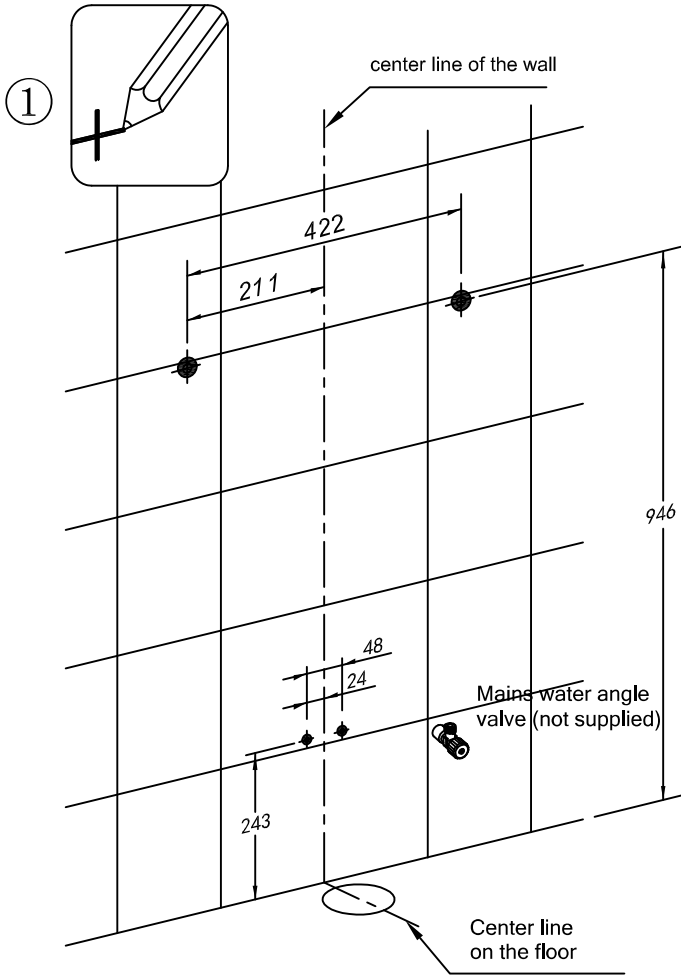
name	Automatic Infrared cabinet cistern for floor-standing WC	
model	TFS-8001-WHT	TFS-8001-BLK
Technical Specification	rated voltage	220V AC, 50HZ
	ambient temperature	3~40°C
	water supply pressure	0.07~0.75MPa
	water supply temperature	4~35°C
	waterproof rating	IPX4
	dimension	1003.5mm X 483mm X 108mm

# Technical specification flush inlet and drainage

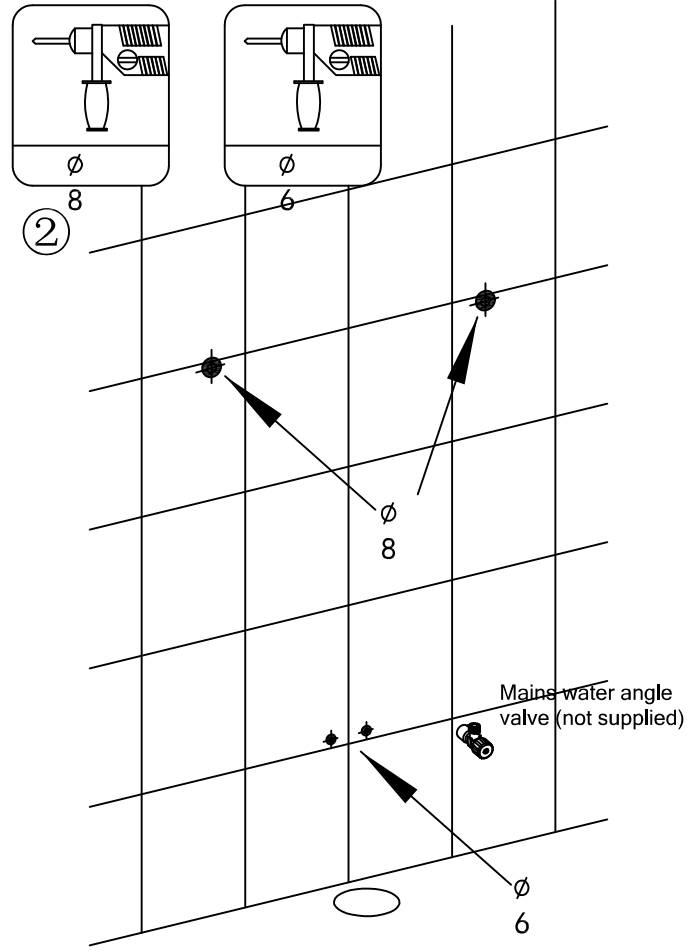


# Cistern Installation

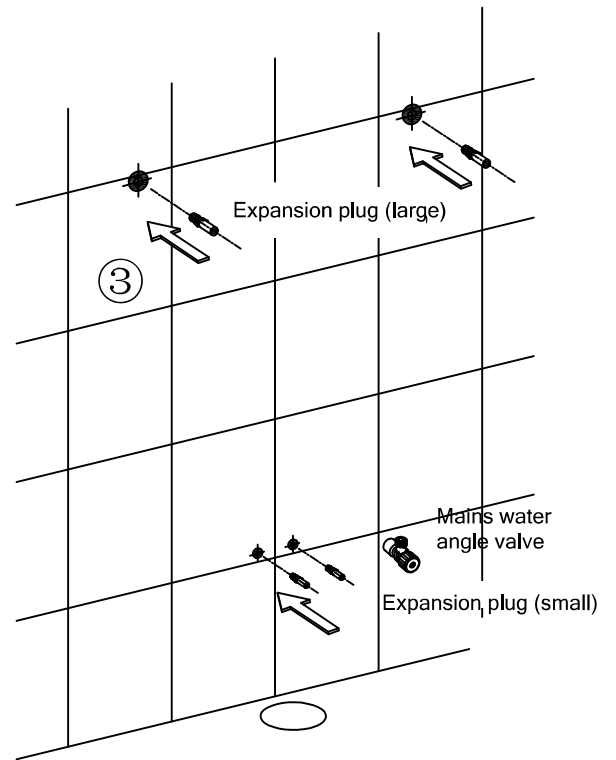
1



As shown in the picture, drawing up center lines of the ground and wall according to the center of drainage hole firstly, then marking four points on the wall.

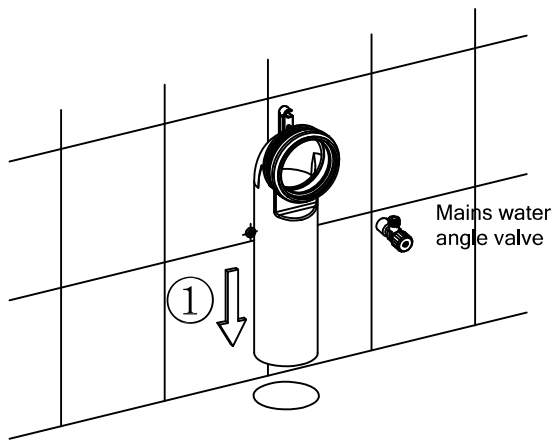


Drilling on marked points (the holes depth must be longer than the expansion nuts length, and the holes diameter is shown above)

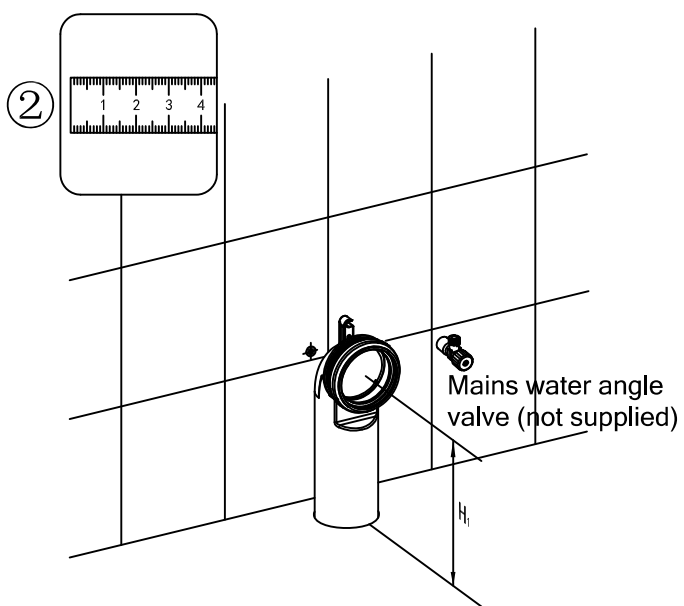


Insert the expansion nuts into the drilled holes.

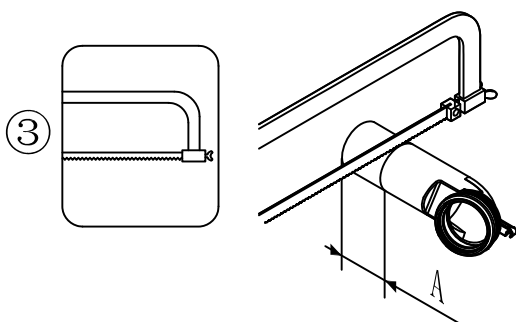
7



1 Insert the drain pipe in to the soil pipe floor joint as shown.

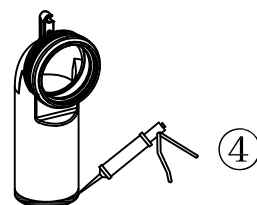


Measure the length H1.

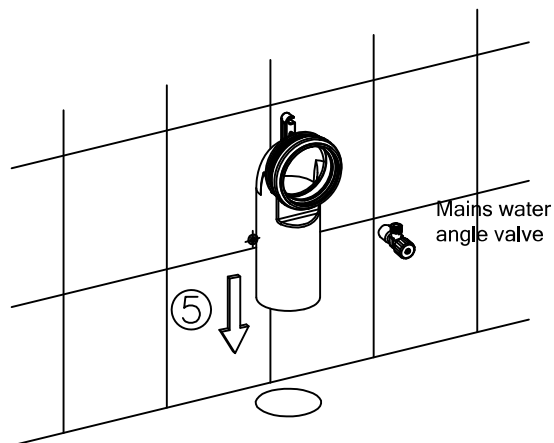


$$A = H_1 - 180$$

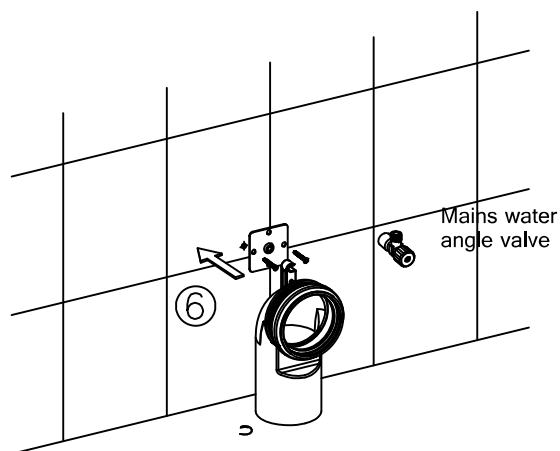
Cut the extra A length of the pipe.



Apply silicone sealant if required, ensuring a water tight seal



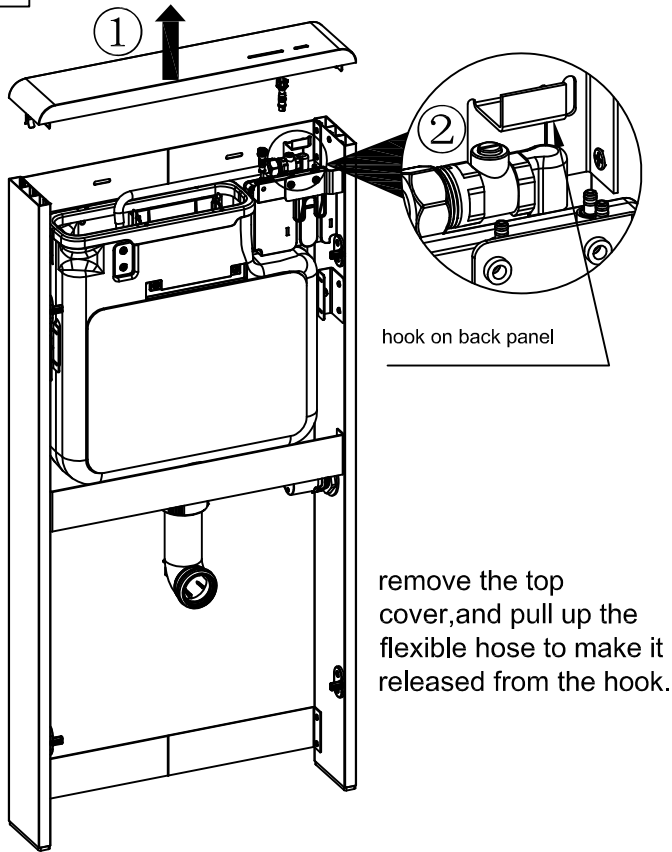
Insert back the drainage pipe into the hole on the floor (make sure it is thoroughly inserted)



Attache the square back plate securely to the wall

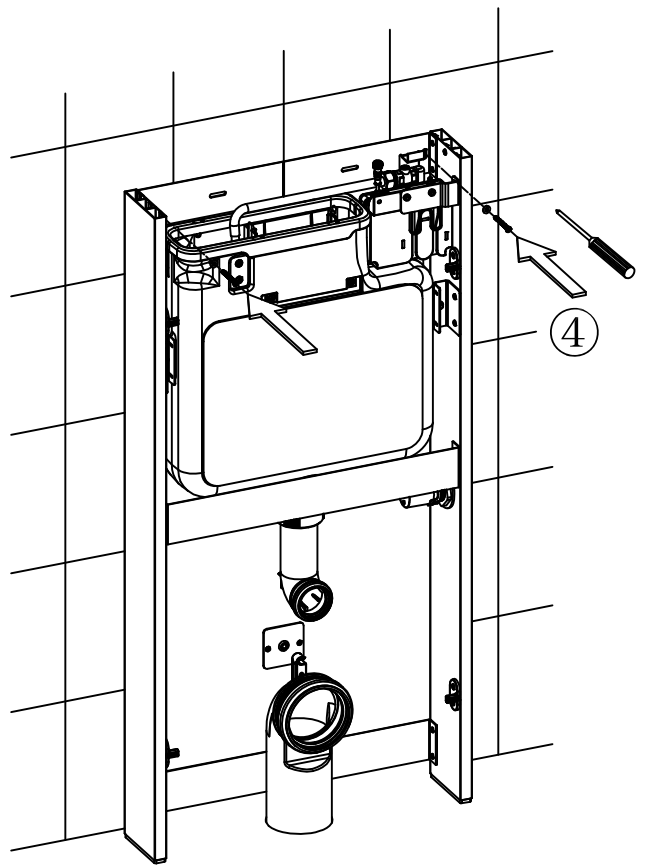


3

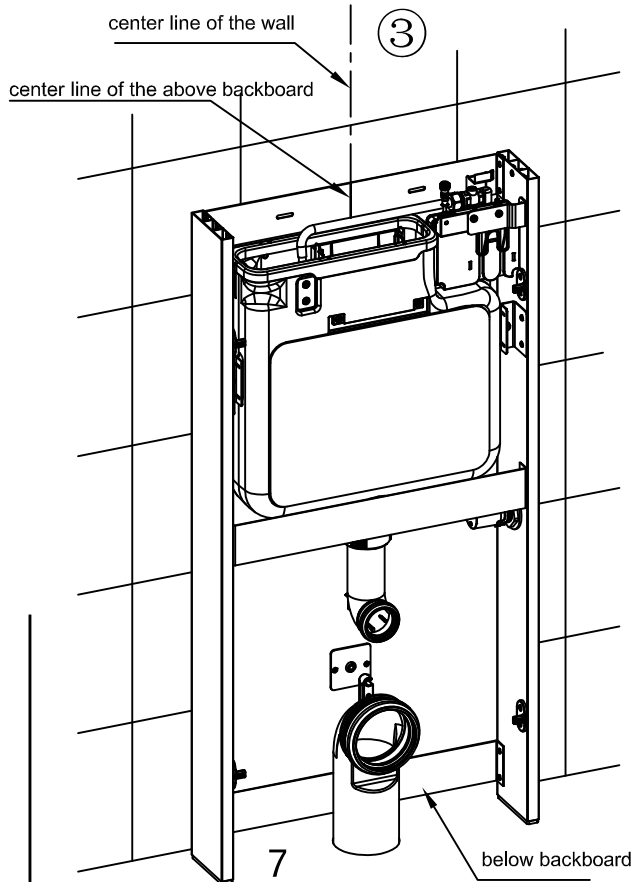


hook on back panel

remove the top cover, and pull up the flexible hose to make it released from the hook.

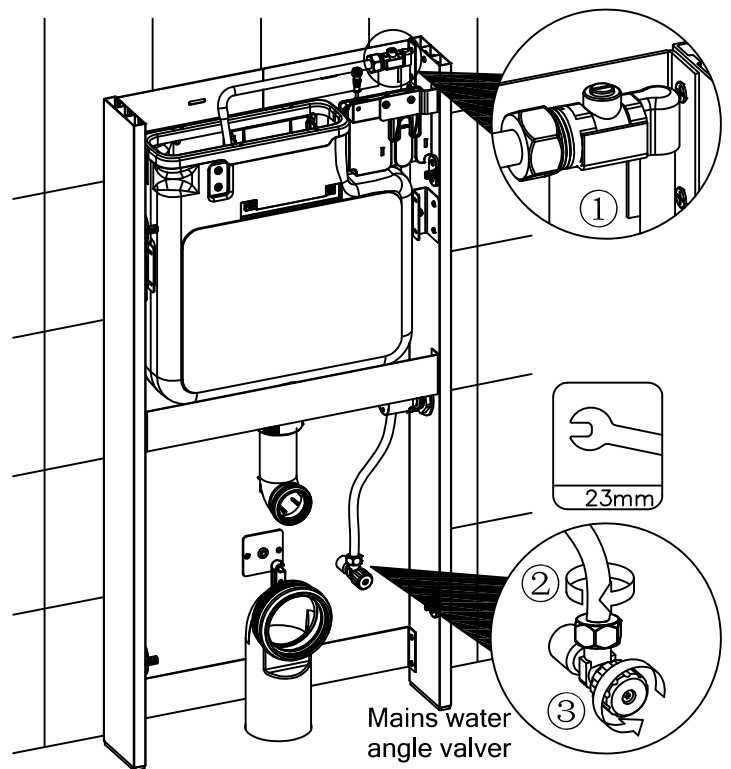


fix the big screws into the expansion nuts on the wall, and lock up the frame on the wall tightly.



Place the cistern frame up to the wall in the correct position aligning the center lines on the top and bottom back board with those previously positioned on the wall and floor

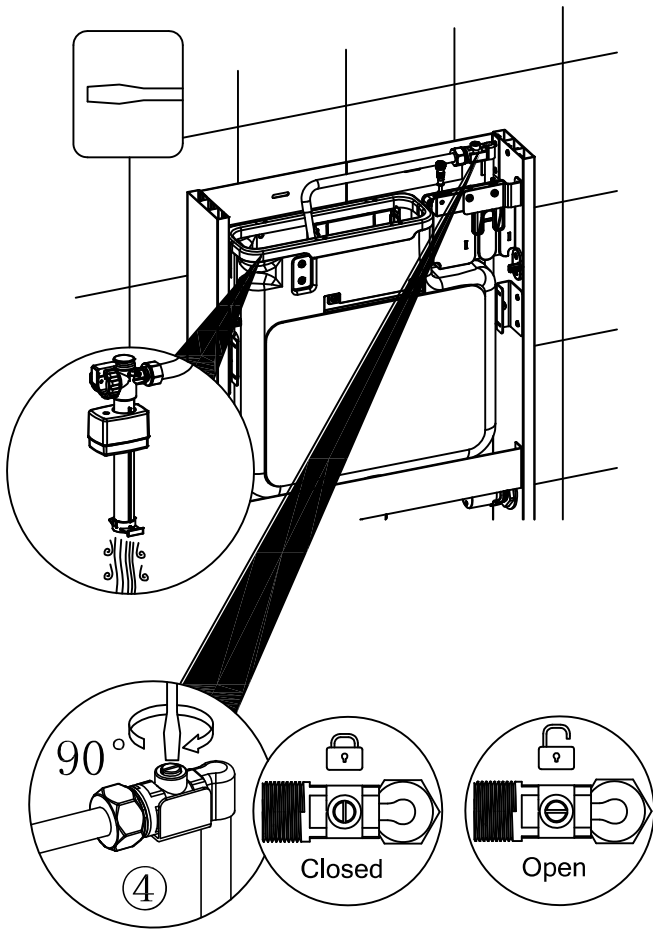
4



Mains water angle valver

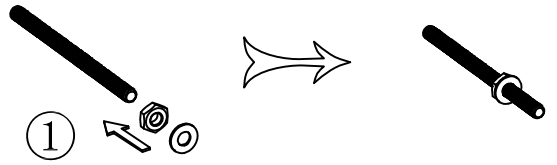
Buckle the flexible hose into the hook on the back panel and then connect the flexible hose to the angle valve

9

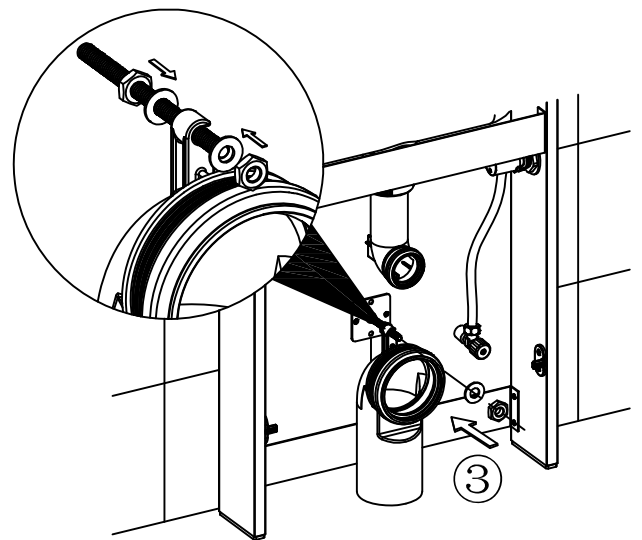
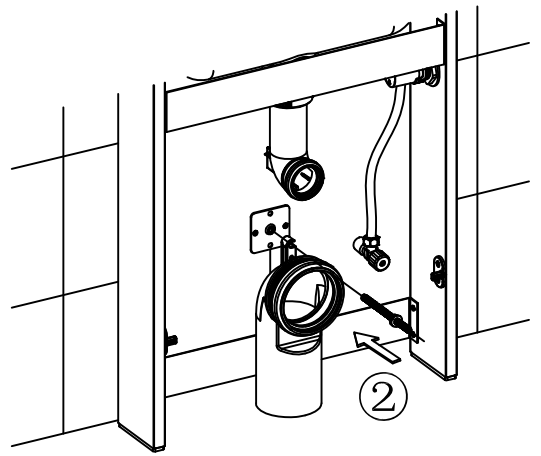


open the valve on flexible hose, and observe whether water supply is normal and if there is any leaking on flexible and cistern.

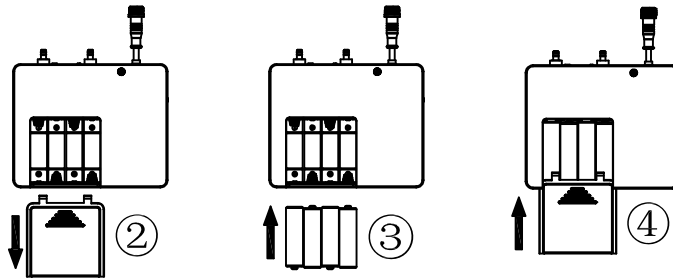
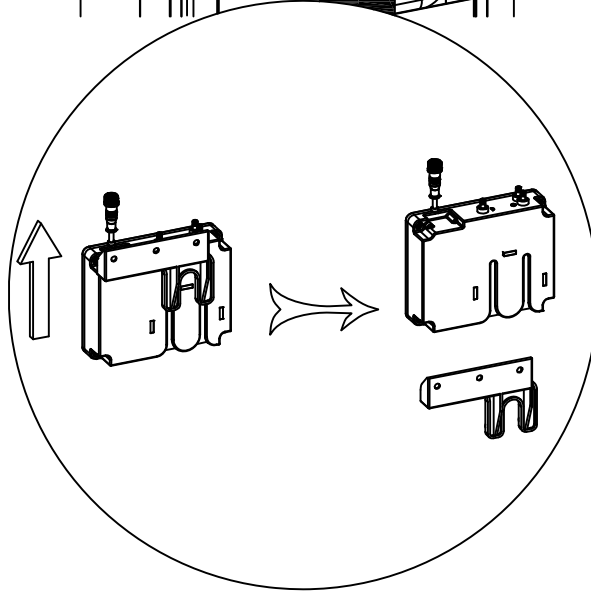
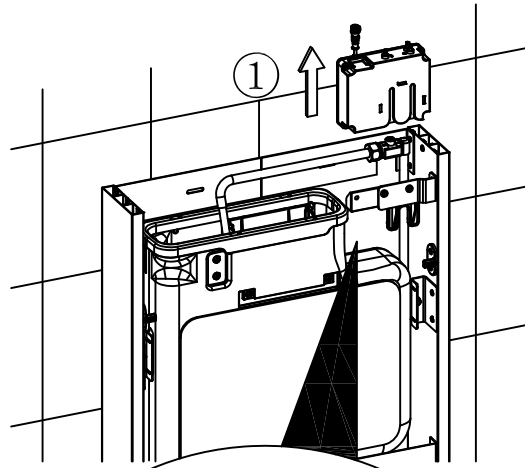
5



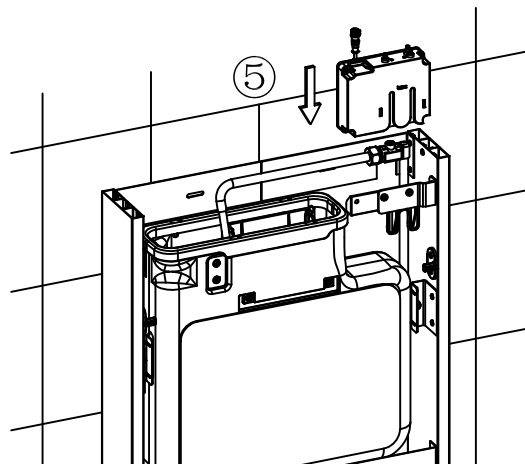
Screw the nut and washer into the bolt

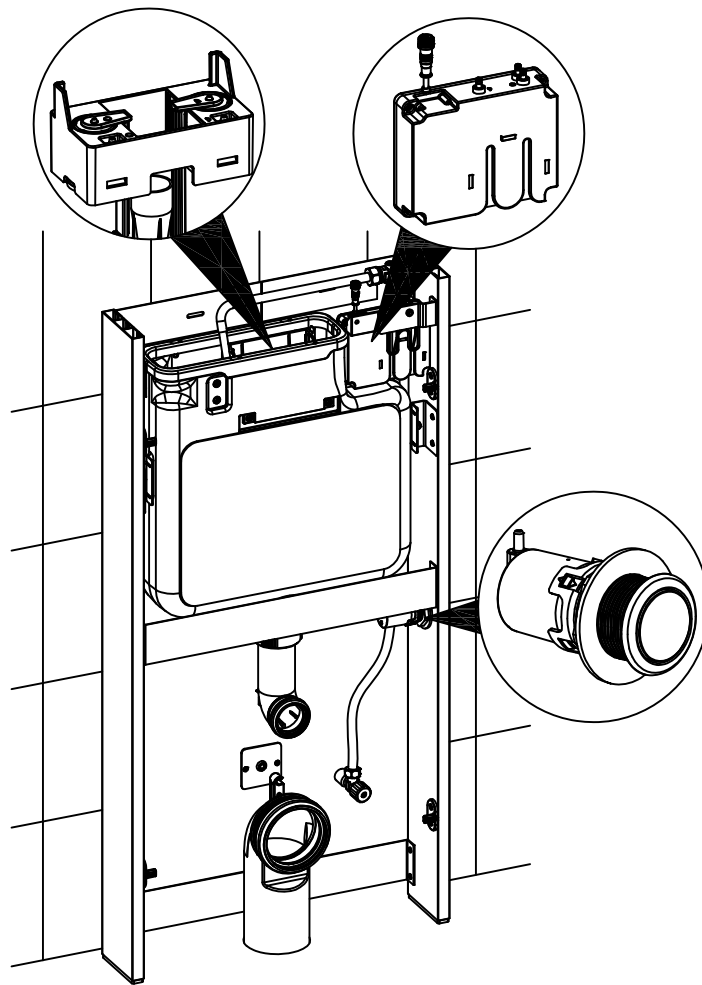


Fix the drainage pipe onto the wall by using square plate.

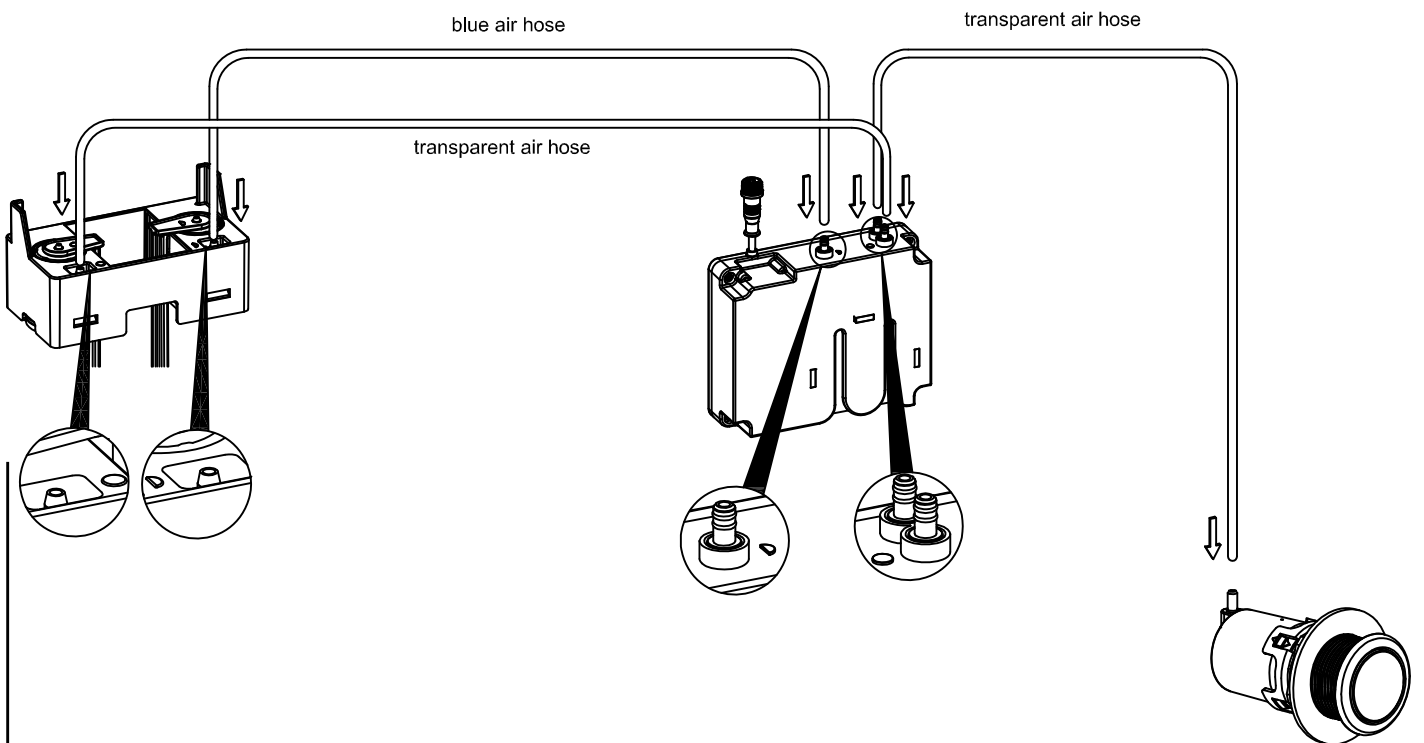


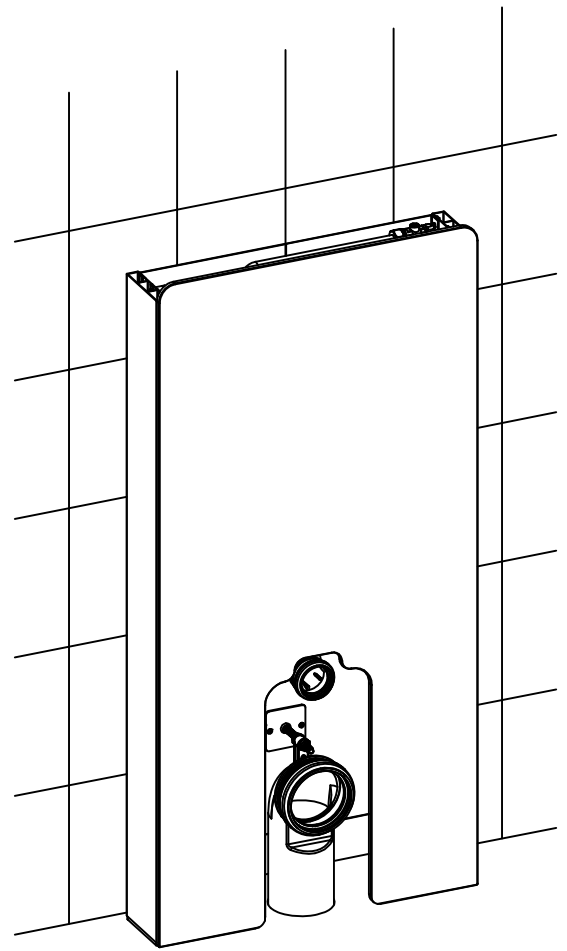
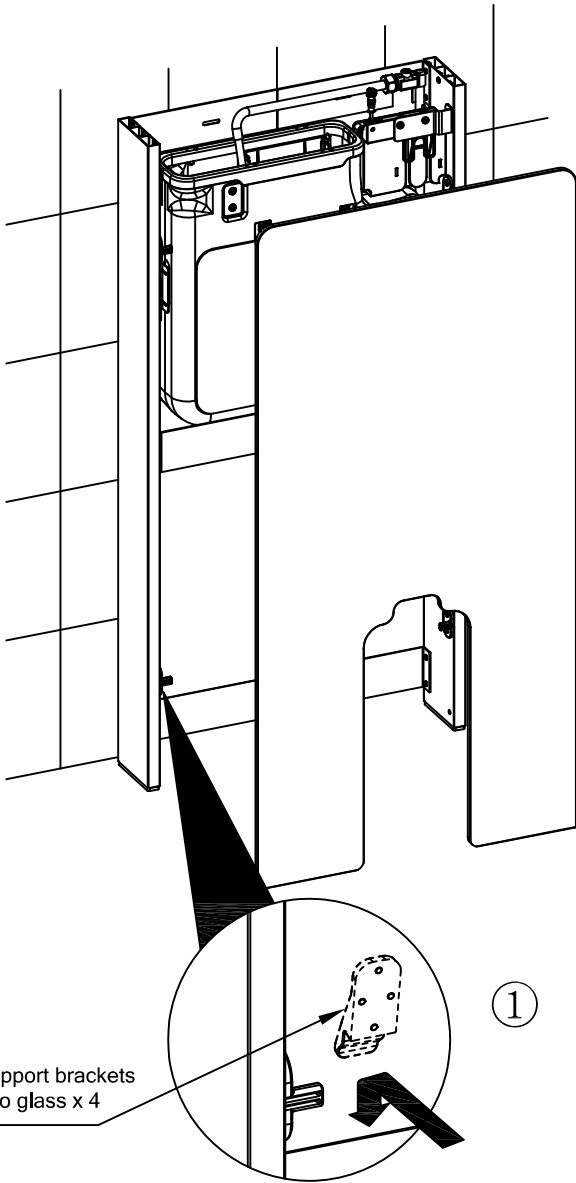
Attention: Use only AAA batteries. Do NOT mix old and new batteries



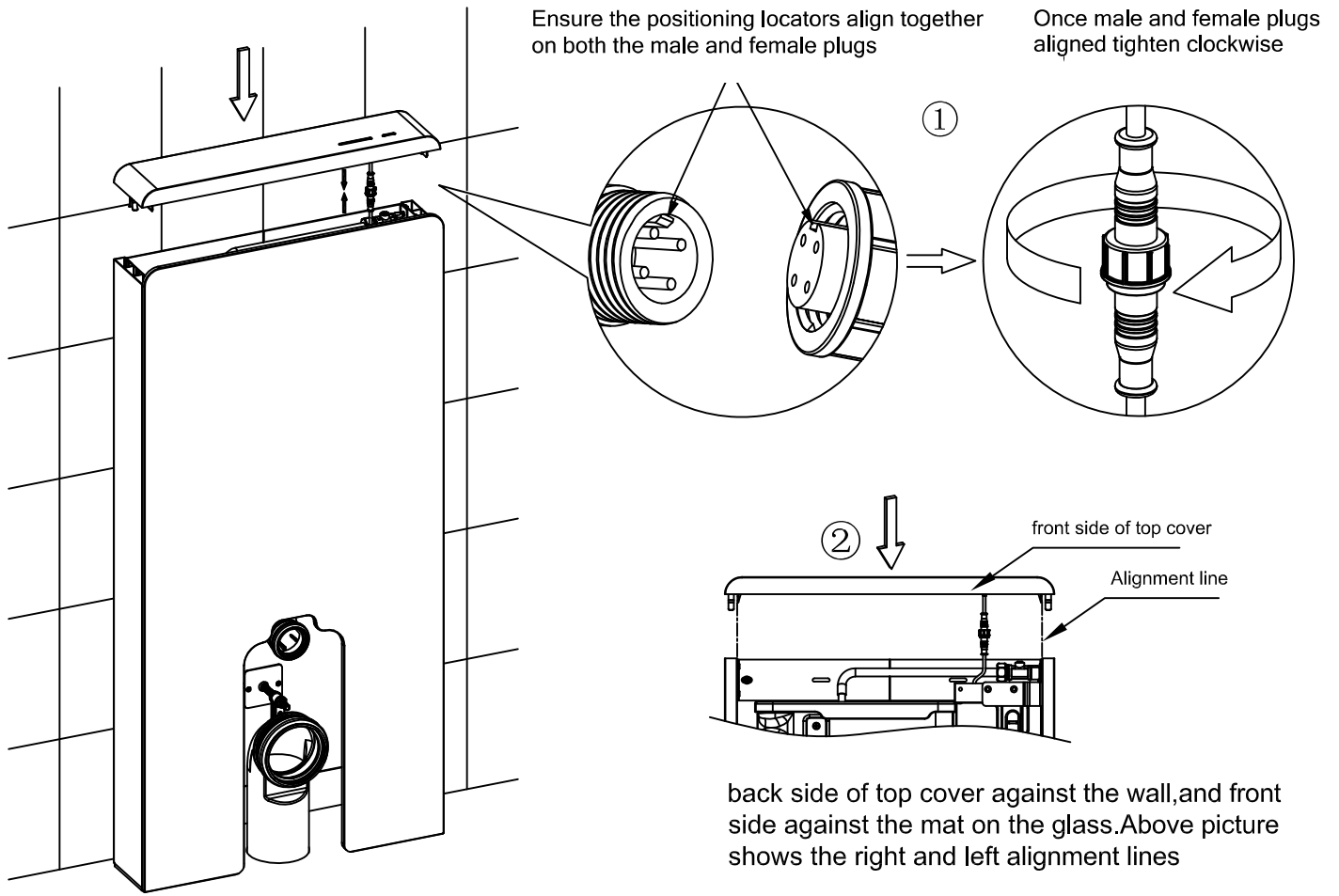


⑥

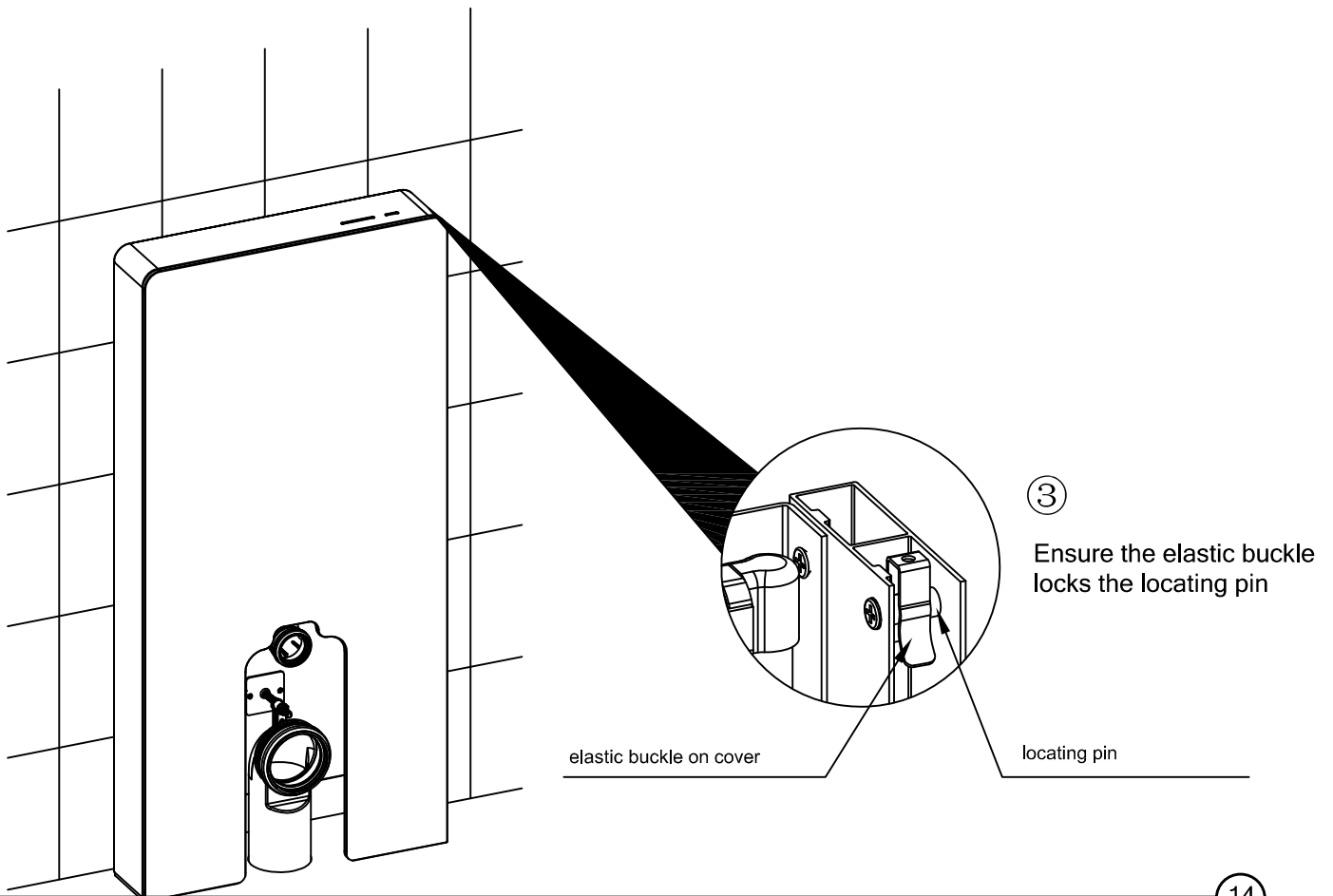


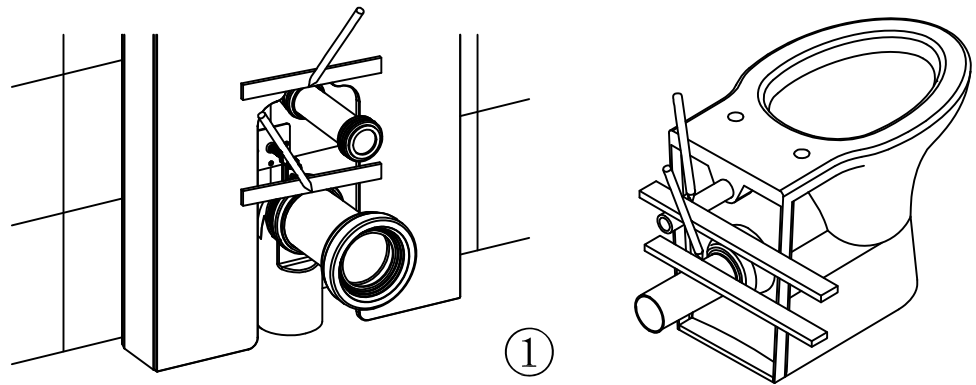
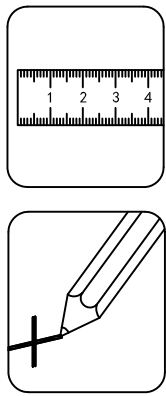


Offer up the glass to the frame and push down  
to engage the glass brackets in to the frame retainers

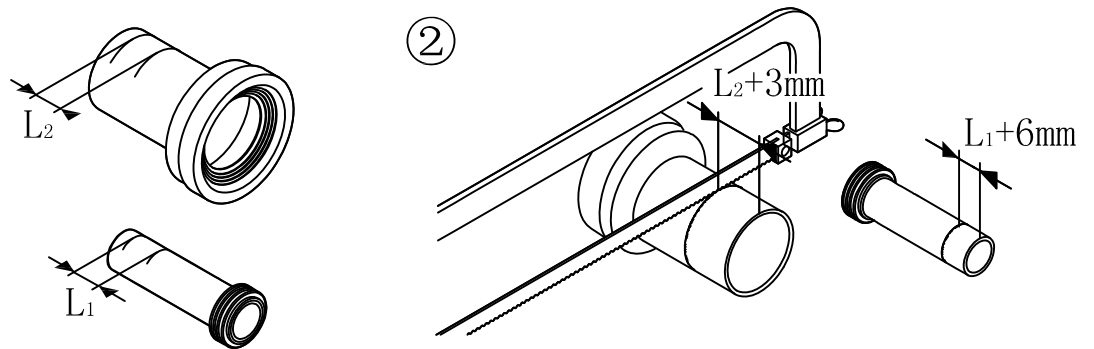
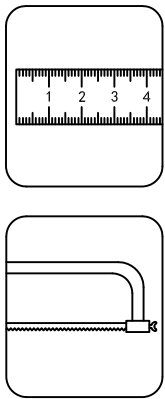


install the top cover

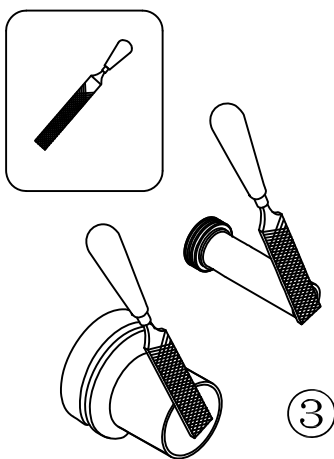




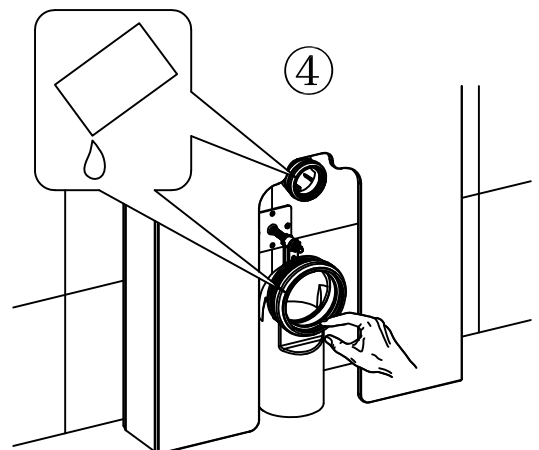
Mark both the Flush and straight drain pipes



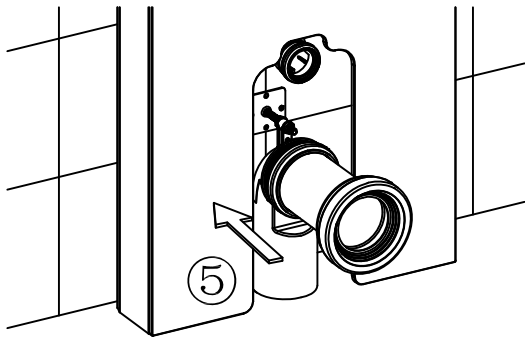
Cut the flush pipe and drainage pipe.



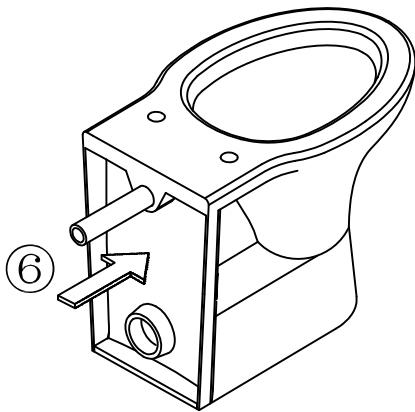
Chamfer and smooth the cut edges on both the flush and straight drain pipes



Apply silicone grease to the flush and drain gators



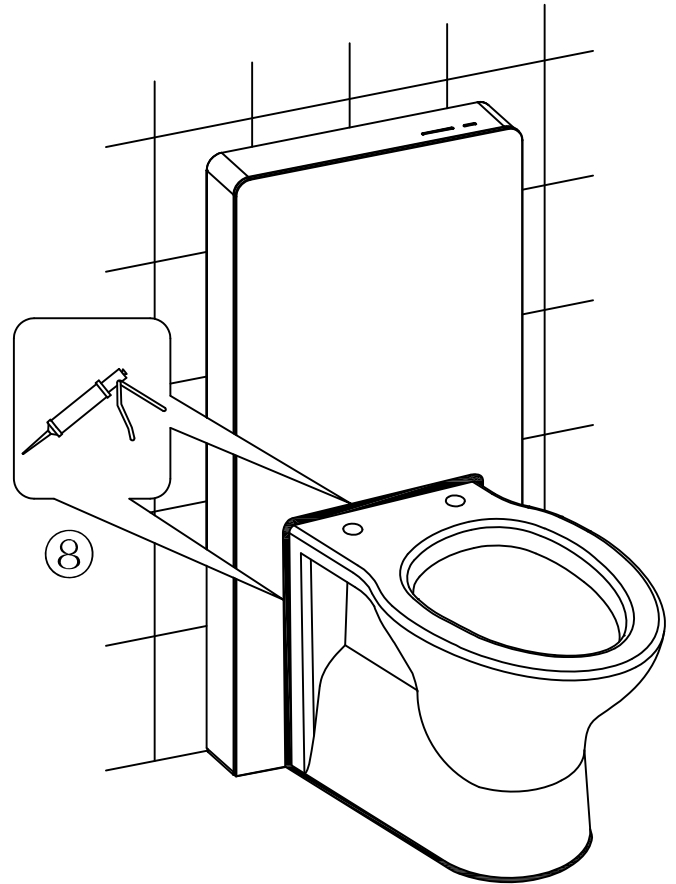
Fit the straight waste pipe in to drainage pipe



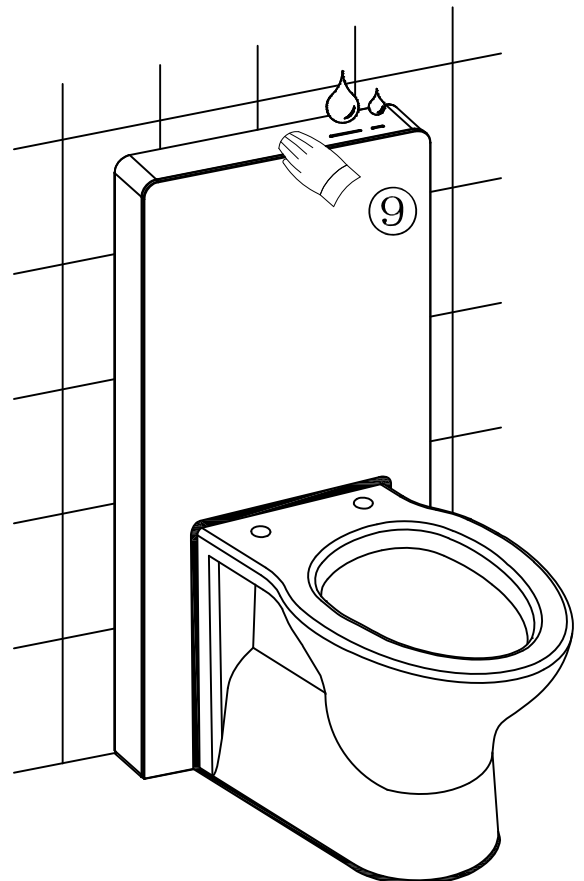
Install the flush pipe onto the toilet.



Install the toilet



Apply silicone sealant to seal pan ton cistern glass

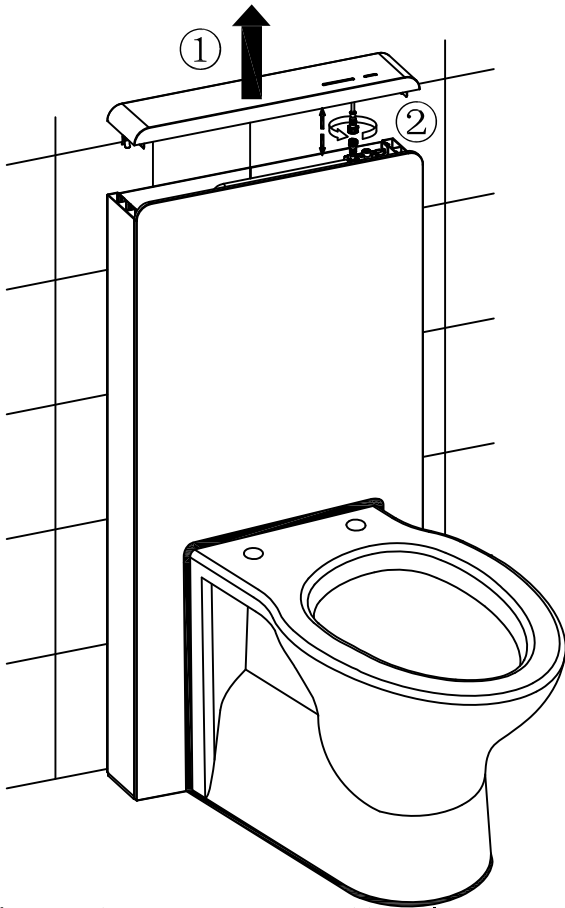


Test half & full flush functions.

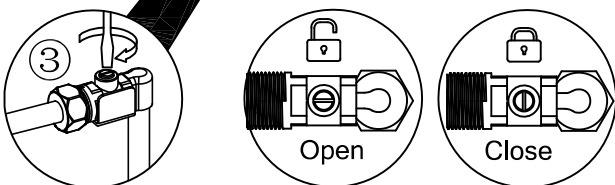
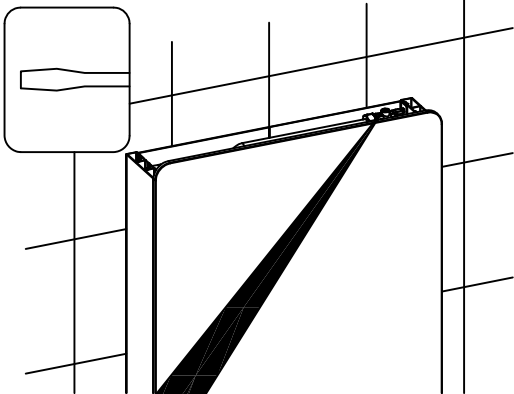


# Maintenance and Care

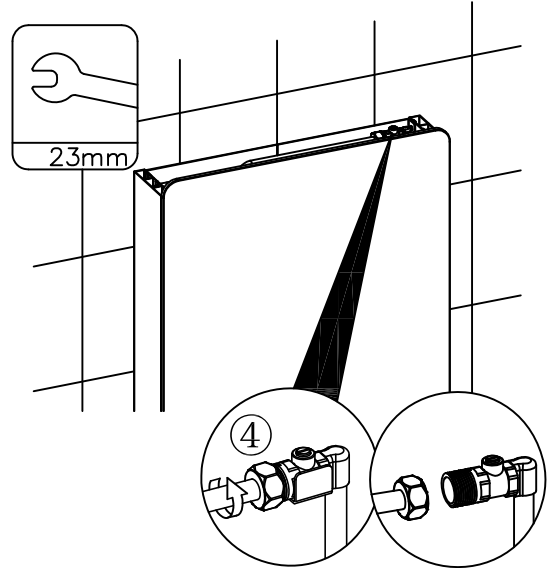
## 1.1 Inlet valve removal



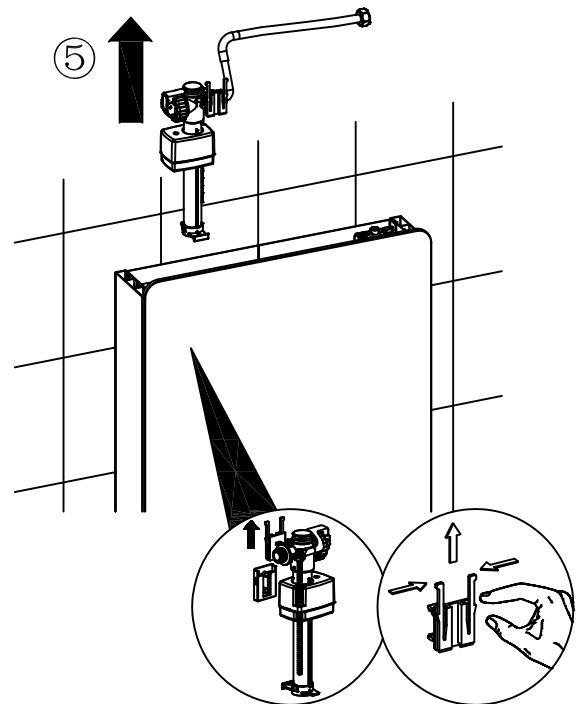
take over top cover, unconnect two plugs



turn off the stop valve on the flexible hose

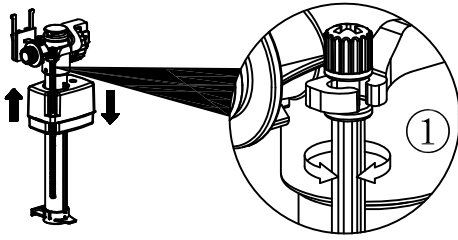


Disconnect Hose and valve

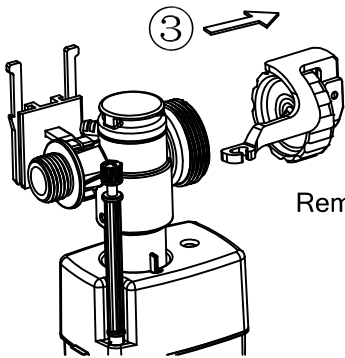
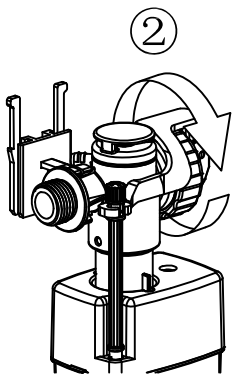


Remove inlet valve lifting upwards

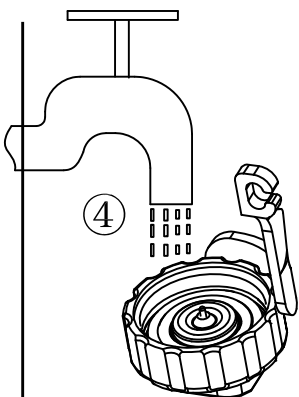
## 1.2 inlet valve adjustment & clean



adjust the float upwards to increase the inlet volume; or downwards to reduce the volume

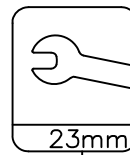
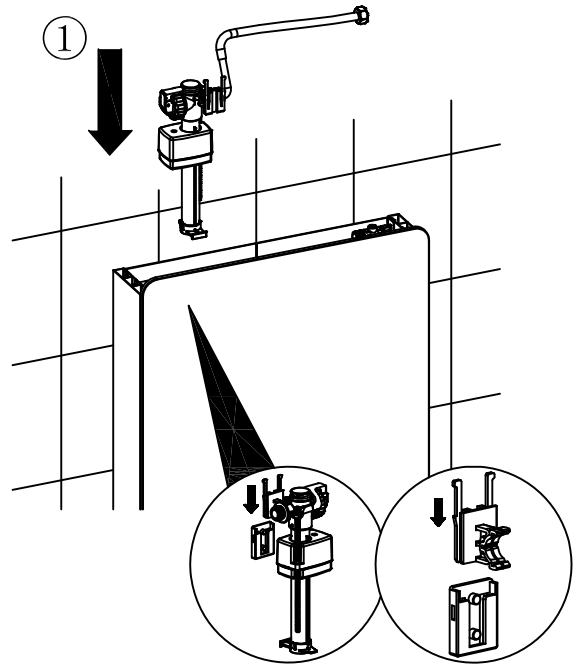


Remove valve actuator cap

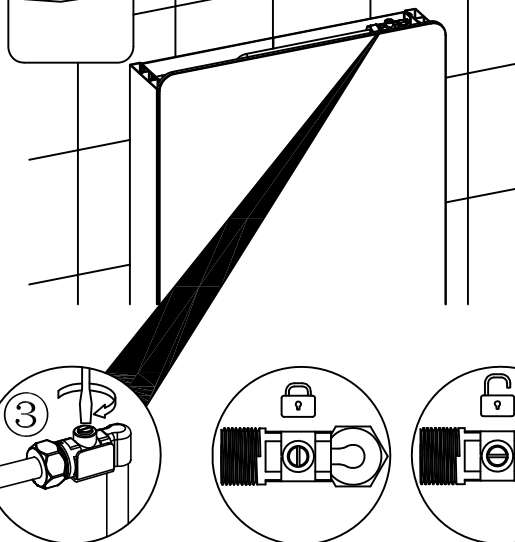
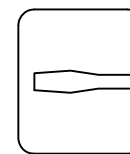
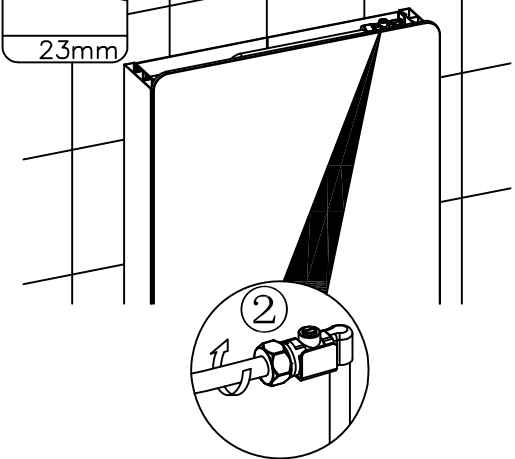


Rinse and clean actuator

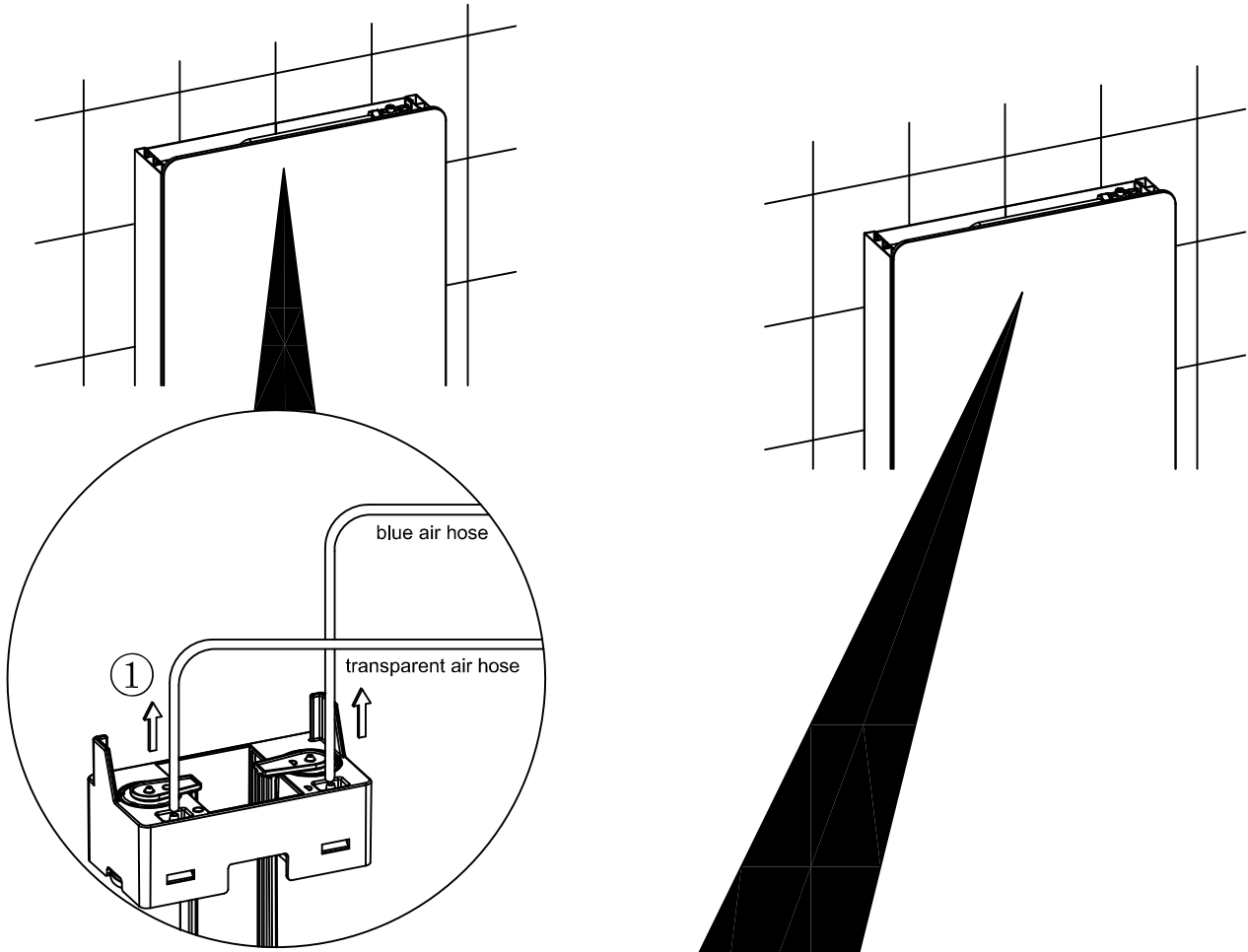
## 1.3 inlet valve installation



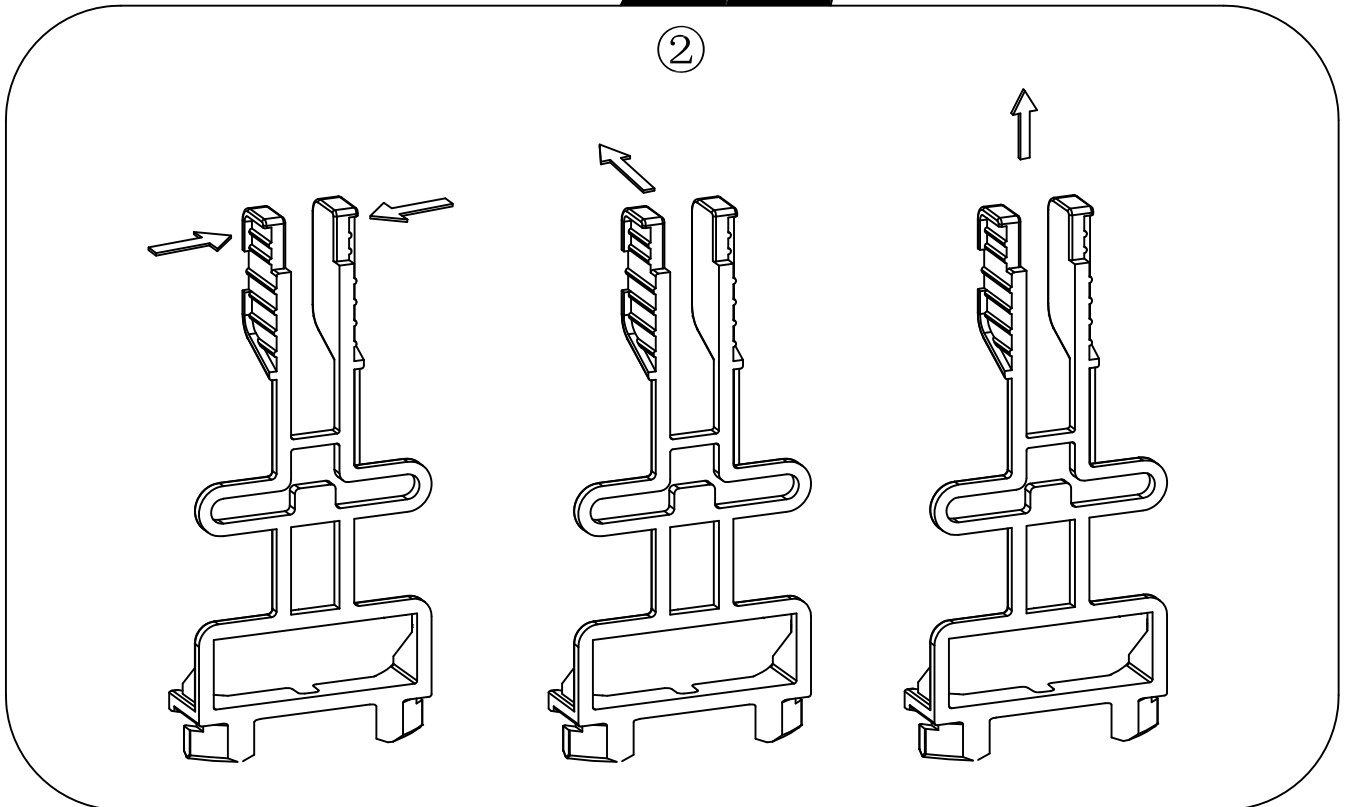
23mm



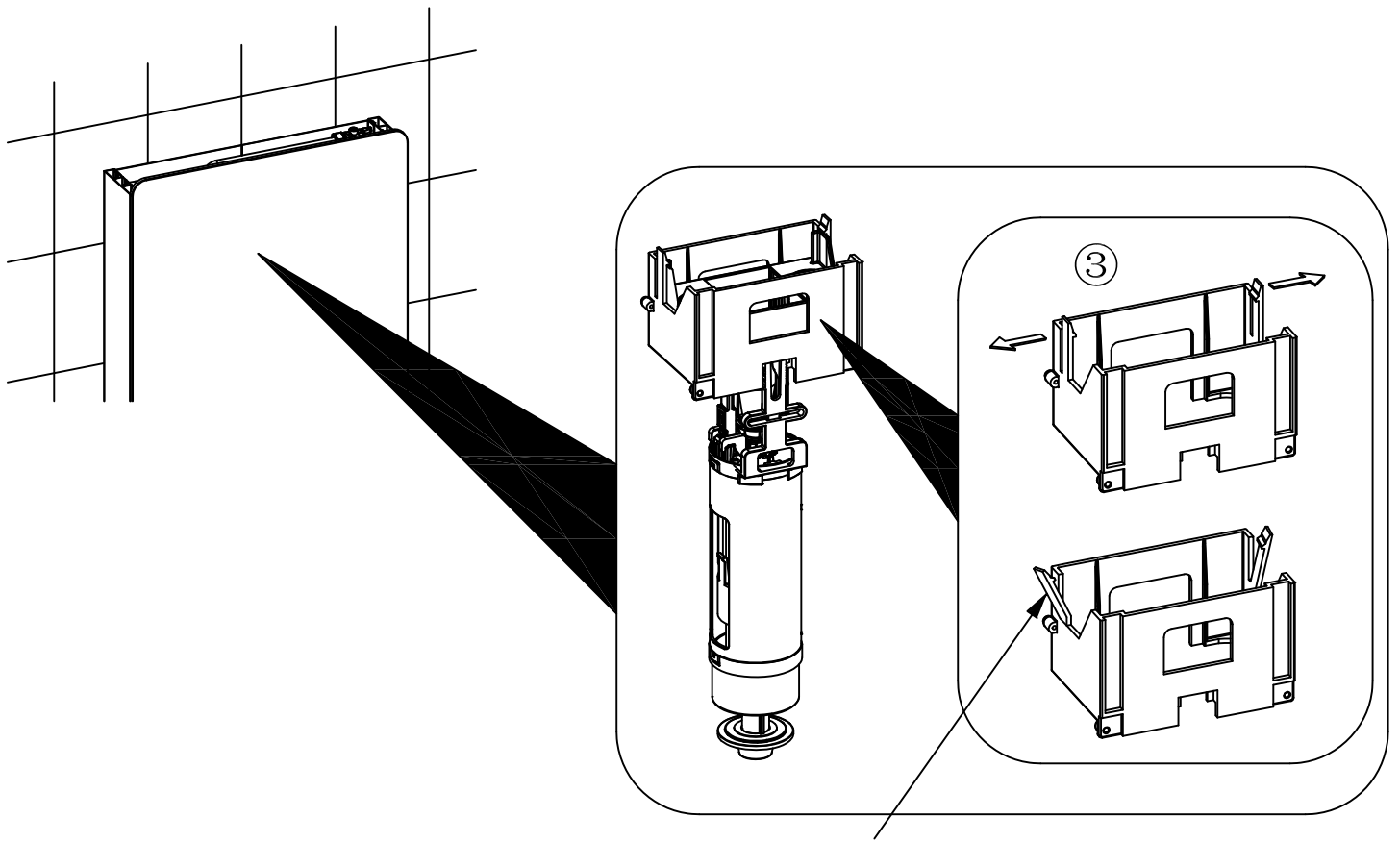
## 2.1 flush valve removal



un-connect the air hoses from the air hose holes

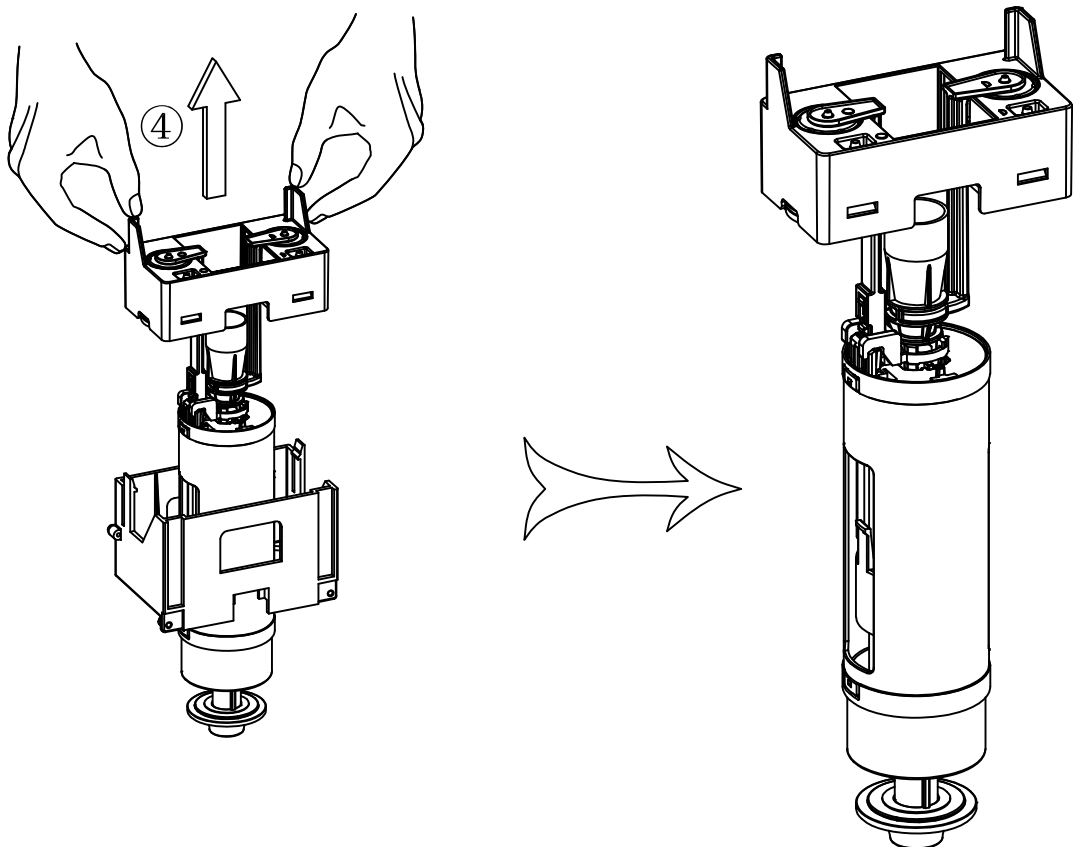


remove the lever

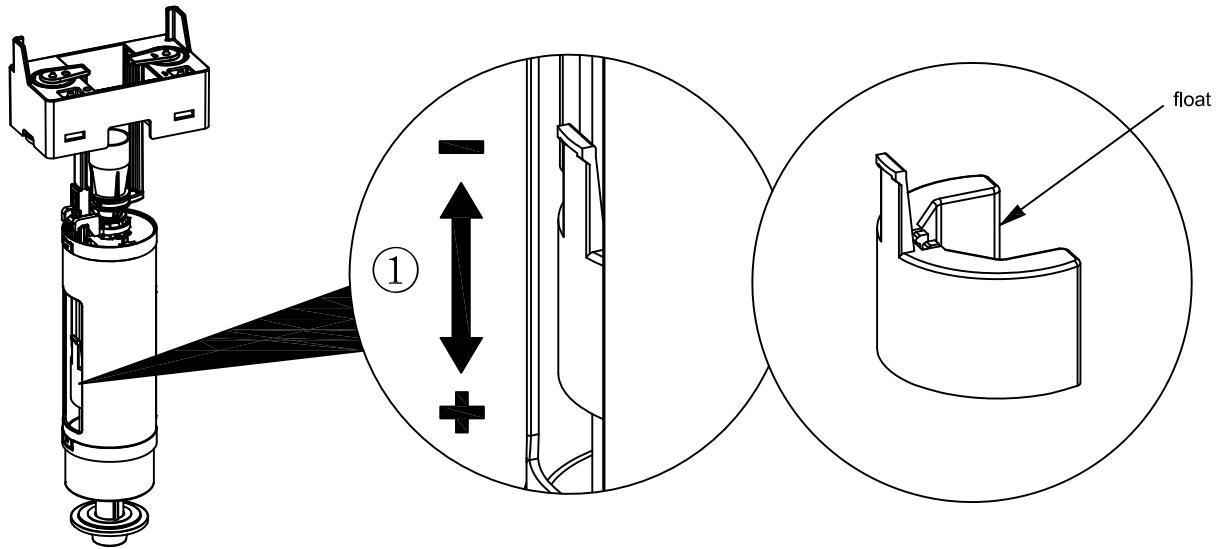


Buckles on the cistern hanger

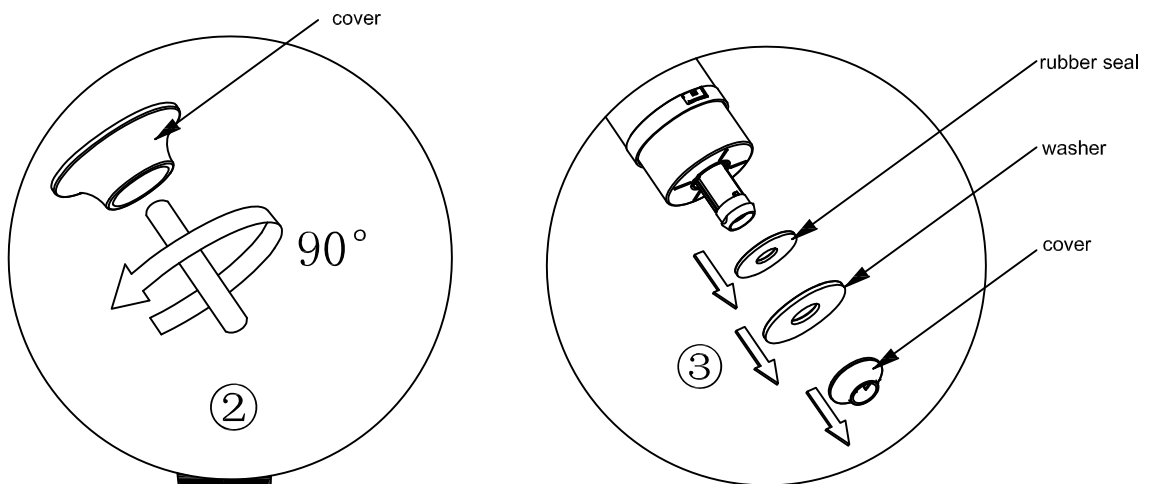
lift upwards the flush valve after opening the buckles on the cistern hanger



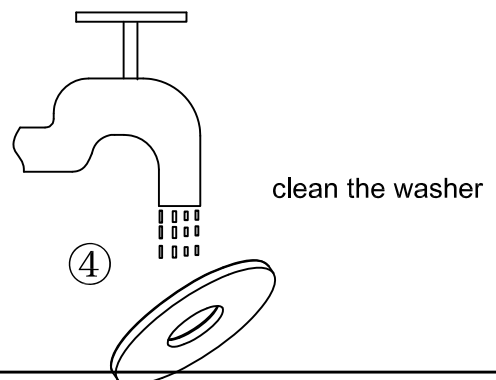
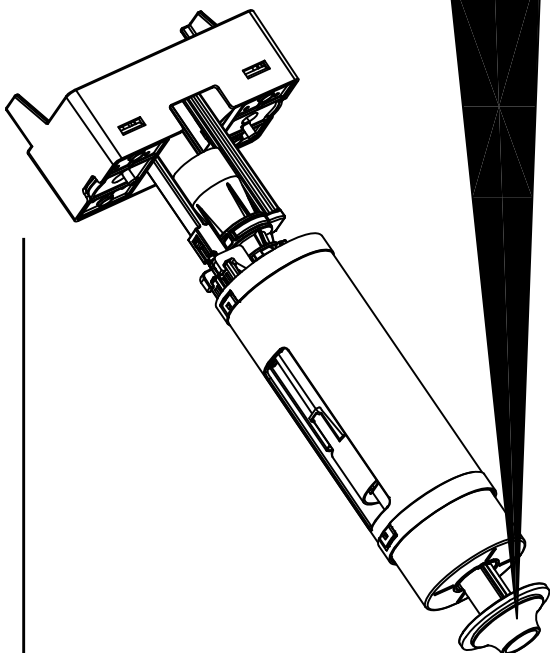
## 2.2 flush valve adjustment & clean



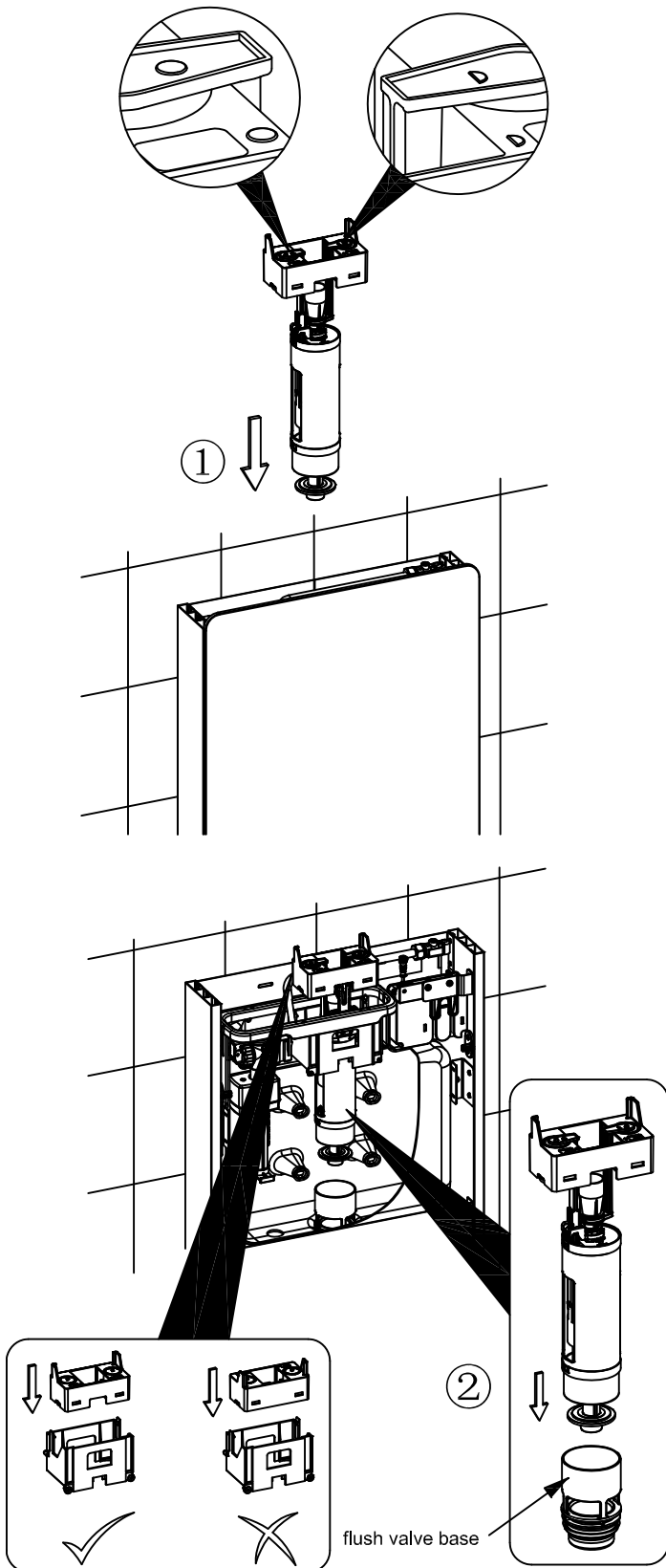
adjust the float upwards to reduce the flush volume; or downwards to increase the volume



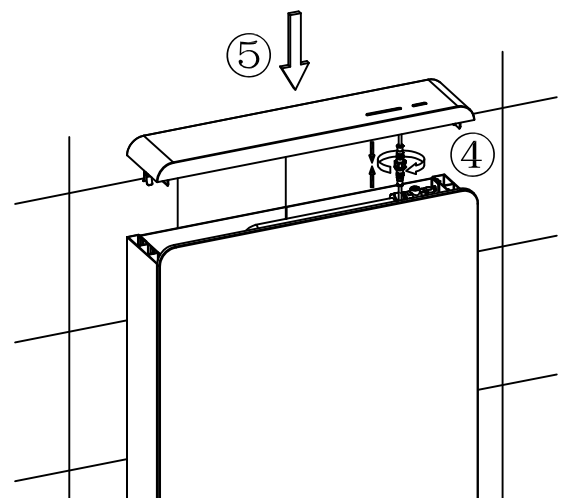
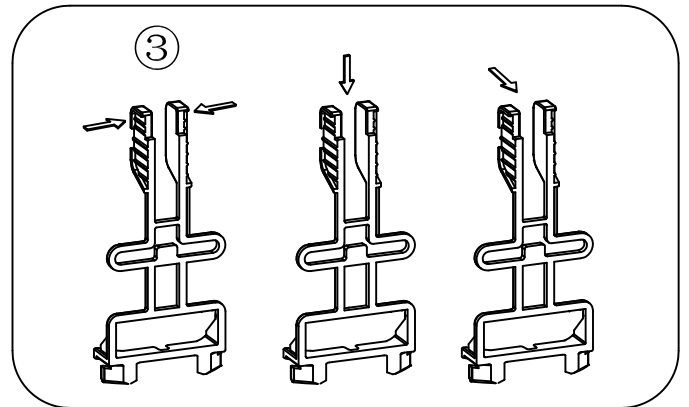
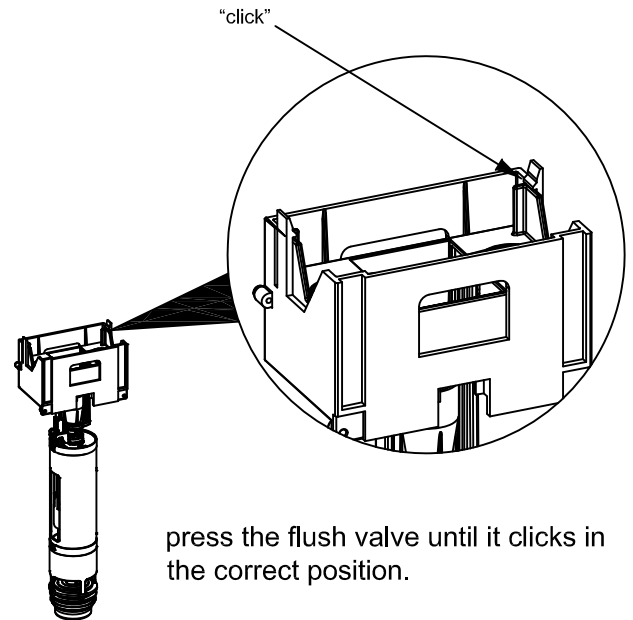
Remove the cover, washer washer and rubber seal by rotating conter clock wise arond 90 degrees



## 2.3 flush valve installation

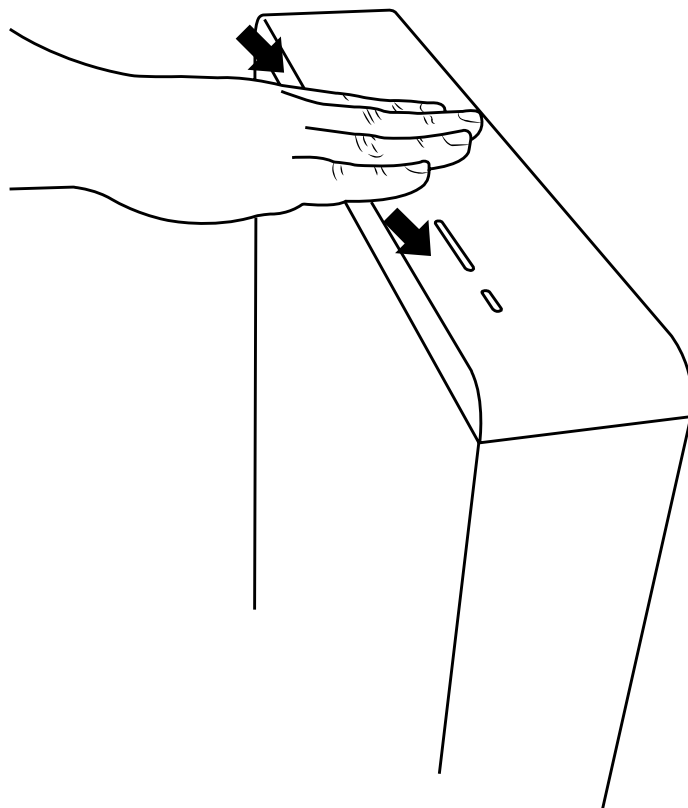


install the flush valve downwards into the cistern body (Mark: make sure the flush valve bottom is aligned with flush valve base. And please make sure flush valve is installed in the shown direction during installation.)



**i** Flush sensor:

*Full flush*



*Half flush*

