

dib

[www.lldaewon.co.kr](http://www.lldaewon.co.kr)

dib

LIFE STYLE DESIGNER

## User's Guide

This user's guide contains the product warranty certificate.  
Be sure to read this user's guide carefully before use.

220V ~ 240V, 50Hz 

[www.lldaewon.co.kr](http://www.lldaewon.co.kr)

**DIB-C750R**

dib...

**THIS UNIT WAS MANUFACTURED FOR HOUSEHOLD USE ONLY.  
READ ALL OPERATING INSTRUCTIONS BEFORE INSTALLATION.**

**Notes**

- 1. This product should be installed according to this manual.
- 2. Please read this manual carefully and install properly.
- 3. Please save this manual and place it at an easily accessible place.
- 4. Do not attempt to service this appliance yourself. Doing so could void warranty.

# CONTENTS

1. Safety Instructions .....	4
2. Product Characteristics .....	8
3. Designation of Each Component .....	9
4. Installation .....	11
5. Trial Operation .....	15
6. Disassembly of Product .....	16
7. How to Use the Product .....	18
8. User Settings .....	22
9. Maintenance & Cleaning .....	24
10. Before requesting repair .....	26
11. Product Specifications .....	27
12. Comparison Chart .....	28
13. Memo .....	29
14. Warranty Information .....	31

Preparation


Installation

Operation

Maintenance & Cleaning

# 01. Safety Instruction

● Each symbol refers to the followings:

 **Warning** Risk of hazardous or lethal damage when violating the instructions.

 **Caution** Risk of injury or material damage when violating the instructions.

● Each pictorial indication means the followings:

 means prohibition

-  Disassembly is not allowed
-  Don't touch with wet hand
-  Use of fire prohibited
-  Don't spray water
-  General prohibition

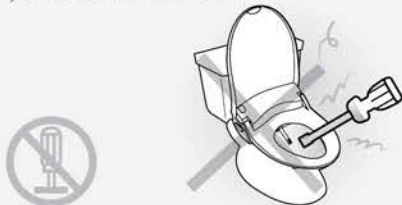
 means obligation

-  Obligatory Instruction
-  Grounding Connection

## Warning

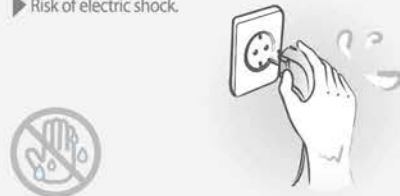
Disassembly, modification or repair is not allowed.

▶ Risk of electric shock or fire.



Don't plug or touch the power cord with wet hands.

▶ Risk of electric shock.



Don't spray water on the main body of product or power plug.

▶ Risk of electric shock or fire.



Don't use the damaged power cord or outlet.

▶ Risk of electric shock or fire.



## Warning

Don't fail to do grounding.

- ▶ Always use the outlet that encloses the earth electrode. (Earth terminal mounting outlet-check if there is earth or not).
- ▶ In case there is no earth electrode, do grounding separately.
- ▶ When it is not grounded, it causes the failure and electric shock.



Insert the power plug correctly in 220~240V exclusive outlet.

▶ Risk of heat or fire.

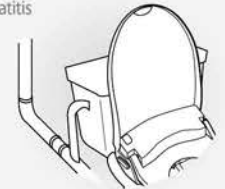


Don't locate the cigarette or flammable materials near the product ; Don't throw the cigarette into the product.



Don't connect the product to the water pipe of industrial use.

▶ Risk of causing dermatitis of user.



Don't connect power to the product before its complete installation on the toilet.



When the power cord or plug is damaged, always inform the service center, and replace if required.



Don't block the hot air hole nor put any object or hand on the hole.

▶ Risk of burn or electric shock. (DIB-1300, 1500 only)



When removing the product from toilet, always release the power plug first.

▶ Risk of electric shock.

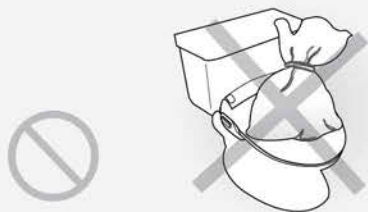


# 01. Safety Instruction

## ⚠ Caution

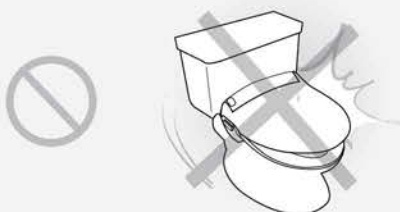
Don't stand on the product ; don't put heavy object on it.

▶ Risk of injury or damage to the product.



Don't force to close the cover of toilet.

▶ Risk of failure.



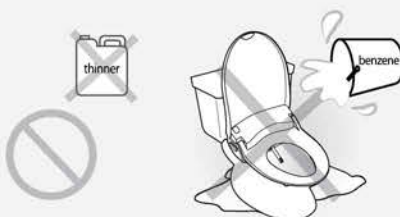
Don't force to lean against the cover of toilet.

▶ Risk of failure.



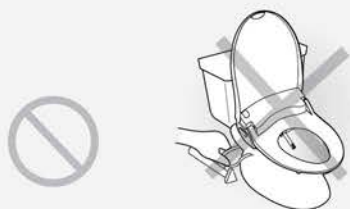
When cleaning, don't use toilet-use detergent, benzene, thinner, etc.

▶ Risk of damage to the product or crack.



Don't bend the connecting hose ; don't force to pull it out.

▶ It may cause stoppage of water supply or leakage.



Be cautious low temperature burn.

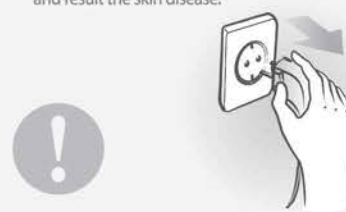
▶ When the skin has been in contact with a seat for a long time, it may cause low temperature burn. The seat temperature should be set on Low or off when the unit is used for children, elderly persons, persons who cannot control the temperature by themselves.



## ⚠ Caution

When the product is not used an extended period of time, remove the power plug and drain the water out of the product tank.

▶ It may cause the water rotten and result the skin disease.



Don't use with the product out of order.

▶ When it is out of order, remove the plug from the outlet and inform the service center.  
▶ Otherwise, it may cause fire or electric shock.



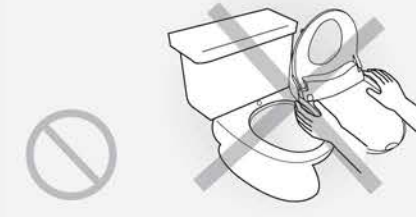
When installing, push it in until it sounds 'Click'.

▶ It may cause water leakage or mal-operation.



Don't place the removed product upside down.

▶ Risk of the product failure.



dib



## 02. Product Characteristics

d/f/b bidet has the following characteristics:

### ● Continuous Warm Water Supply

Enjoy continuous warm water throughout the wash cycle.



### ● Power wash

Soft but powerful water wash for added cleansing benefit.



### ● Bubble Wash

Aerated water wash adds cleaning comfort.



### ● Stainless steel nozzle

For better hygiene, a stainless steel nozzle is applied.



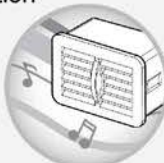
### ● Pulse & Massage

Pulsating wash repeatedly cycles from weak to strong. Nozzle moves back and forth for massage effect.



### ● Deodorization Function

Semi-fundamental deodorizing filter provides odor-free during use.



### ● Energy Saving Function

It finds out the time frame when used frequently, realizing the maximum energy saving effect.



### ● Child Settings

Specialized nozzle position and water pressure for children.



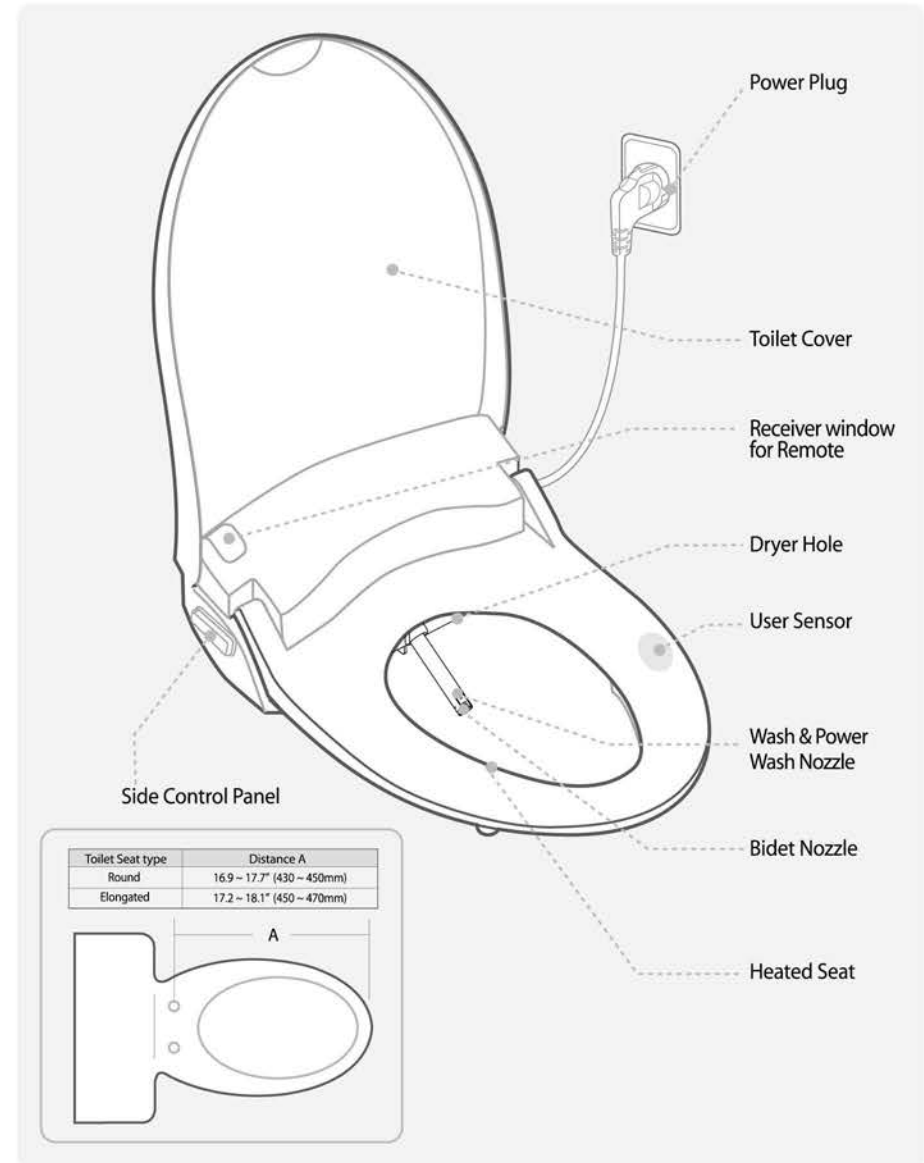
### ● Remote Control Unit

Convenient remote controller provides easy user interface.



## 03. Designation of Each Component

### Main Body



# 03. Designation of Each Component

## Operation Panel

**MASSAGE**  
To run the Massage (oscillating) function. Nozzle is moving forward and backward repeatedly. Press it again to stop the function.

**POWER WASH**  
To run the Power wash function (2 minutes)

**BIDET**  
To run the bidet function (2 minutes)

**WASH**  
To run the wash function (2 minutes)

**DRY**  
To run the dry function (3 minutes)

**PULSE**  
To run the Pulse function. Water pressure is rhythmically changed from strong to weak.

**CHILD**  
children safety mode.

**POSITION CONTROL**  
To control the nozzle position

**ENERGY SAVING**  
Automatic mode  
Learning energy saving mode  
Releasing energy saving mode

**STOP**  
To stop all functions.

**SEAT TEMP**  
To adjust the seat temp. by 4 steps (Low/Mid/High)

**WATER TEMP**  
To adjust the water temp. by 4 steps (Low/Mid/High)

**POWER CONTROL**  
Water pressure and dry temp can be adjusted by pressing +/-

## Accessories

**Bolts**   **Nuts**   **Washers**   **Cone packings**   **Bracket holders**   **Bracket**   **Deodorizing cartridge**

**T-valve**   **Remote control**   **Remote control holder**   **AAA size batteries (2pcs)**   **Water feed hose (for toilet)**   **Water feed hose (for bidet)**   **Spare nut 3/8"**   **Washer**   **Filter**

*\* Optional*   *\* Optional*

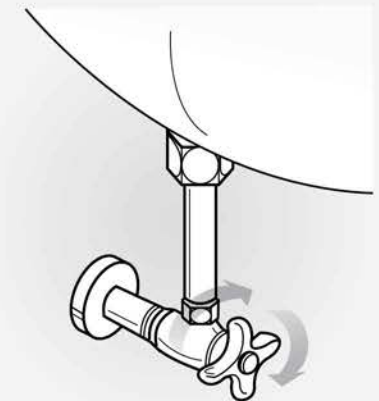
# 04. Installation

## Order of Installation

- 1 Remove the seat from the existing toilet body.
  - ▶ Release the nuts, and then remove the seat and cover from it.
  - ▶ Keep the removed seat, cover and nuts well in a proper place.



- 2 Close the water feed valve by turning it clockwise, and then drain the toilet water tank out.



- 3 Remove the water feed pipe and then install T-valve.
  - ▶ Keep the removed water feed pipe well in a proper place. It may be useful when moving house to other place later.

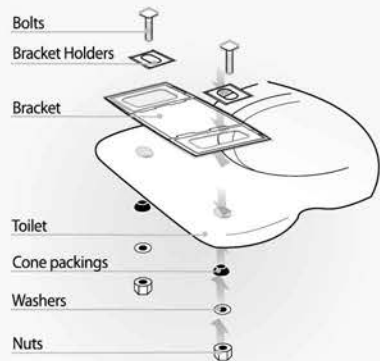


- 4 Connect the toilet-use hose.



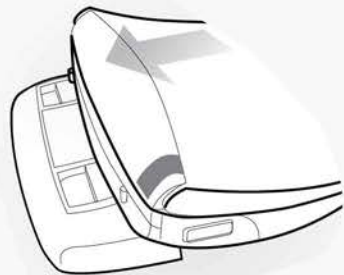
# 04. Installation

**5** Fix the bracket onto the toilet first.



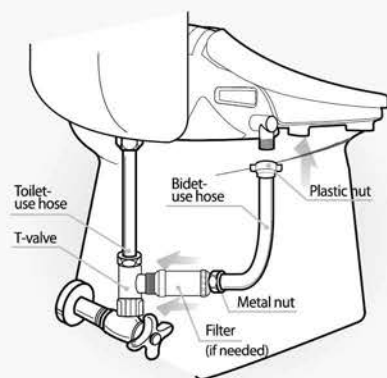
▶ Adjust the seat and the front part of toilet back and forth so that they can correspond with before fastening the nuts.

**6** Push the main body toward the bracket completely.

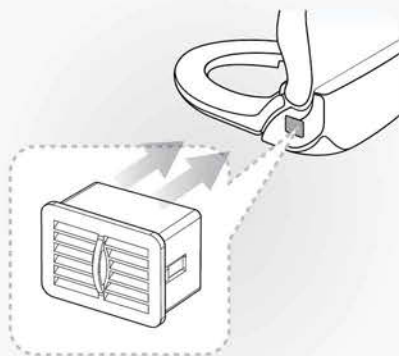


▶ Push it in until it sounds 'click'.  
▶ When the product is not installed well, it may cause leakage.

**7** After install the filter onto the T-valve, connect the bidet-use hose to the bidet body.

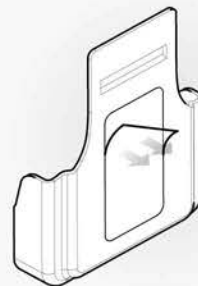


**8** Insert the deodorizing cartridge into the bidet body.



## Remote control installation & batteries insertion

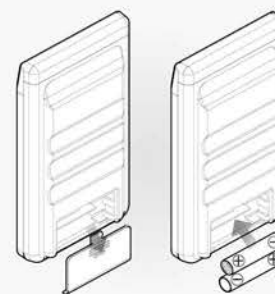
**1** Remove the adhesive protection to attach the remote control bracket.



**2** Clean the place thoroughly to attach the bracket.



**3** Remove the back cover and place supplied batteries with correct direction. Close the back cover.



※ **Caution**  
Failure to install the batteries properly could cause damage or failure of the remote control unit.

**4** Place the remote control in the bracket with correct direction. When placing it, take care to hang it on the bracket completely. Failure of placing could cause the remote control falling down.





# 04. Installation

**5** When the batteries have reached the end of service life, remote control does not work and all LEDs will blink. Replace the batteries with new ones, AAA size X 2pcs.

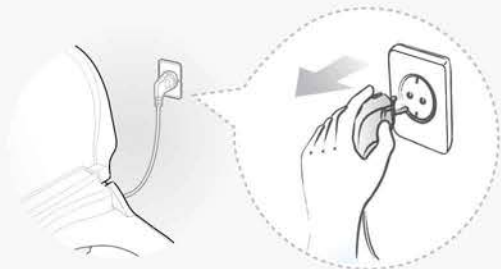
※ **Caution**  
Do not use old and new batteries together.  
This could cause damage or failure of the remote control.



**6** If the unit does not work after replacing the batteries, unplug and wait for 3 seconds. Plug in again, and the unit will be ready for use.

※ After replacing the batteries, ID of the unit will be initialized as "01" (factory initialization ID), and its ID will be equalized ID of the remote control that reaches the unit first. This ID assigning function will be needed to prevent signal interruption if more than 2 units are used at one place. In case of using one unit only, user can use the unit accordingly without setting.

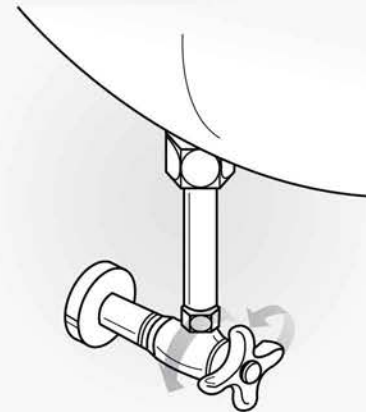
※ If you want to change the ID, please refer to the page 22. for "Remote Control ID Setting"



# 05. Trial Operation

## Order of Trial Operation

**1** Open the water feed valve by turning it anti-clockwise.



**2** Be sure of no leakage around the hose connection.

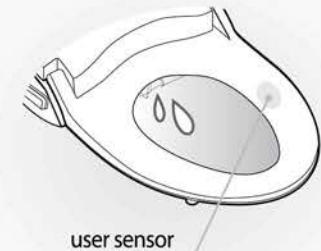


**3** Be sure that the nozzle comes out and retracts when powered on.

▶ Don't plug the power cord with wet hands.  
Risk of electric shock.



**4** Put the hand on the user sensor part of the seat. The unit will be promptly filled with water. Check if water comes out from drain hole next to the nozzle for 1~2 seconds.





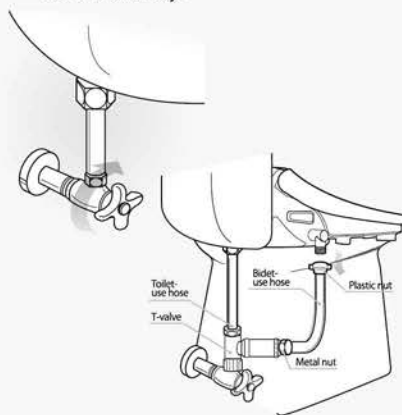
# 06. Disassembly of Product

## Order of Disassembly

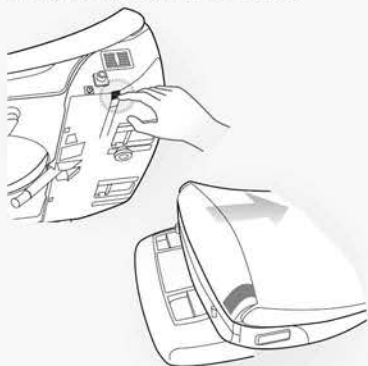
- 1 Remove the power plug from the outlet.



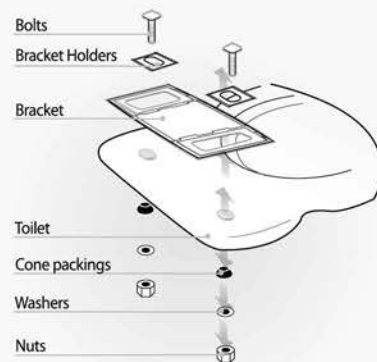
- 2 Close the water feed valve by turning it clockwise, completely drain out the toilet water tank, release the nuts at bidet body of the bidet hose, and then remove them from main body.



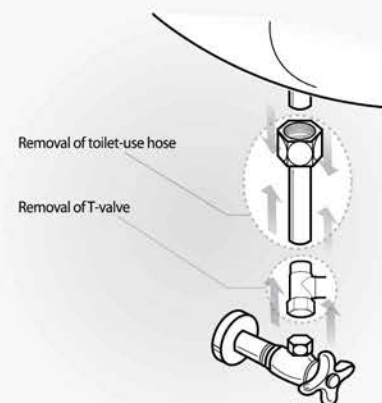
- 3 Press the button on the side of bidet, completely drain the water out of the of the main body. While keep on pressing the button, pull the main body forward, and then remove it from the toilet.



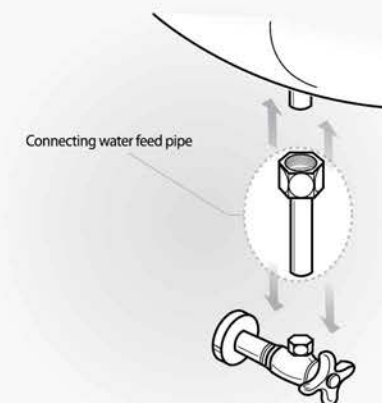
- 4 Release the nuts, and then remove the brackets from the toilet.



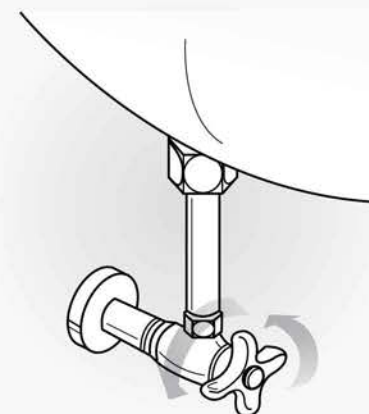
- 5 Remove bidet hose, toilet-use hose and T-valve.



- 6 Connect the water feed pipe that was removed when the bidet was installed.



- 7 Open the water feed valve by turning it anti-clockwise. Be sure of no leakage around the water feed connection.



- 8 Attach to the toilet the seat and cover that were removed when the bidet was installed.

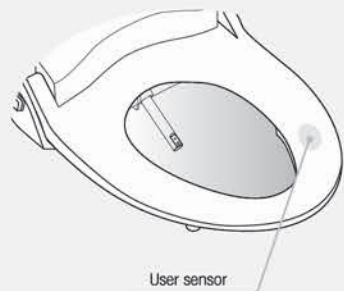


# 07. How to Use the Product

## Basic Operation Method

### 1 Sit on the toilet seat.

- ▶ Deodorization function starts automatically.
- ▶ When sitting on the toilet seat, be seated so the user sensor is occupied. (Otherwise, it may not normally operate due to detection problem)



### 2 Press WASH, BIDET, POWER WASH buttons.

- ▶ Selected function can be used as desired.
- ▶ After Wash/Bidet/Power Wash, automatically dryer works. (Automatic dry)
- ▶ For sitz bath, press WASH again. Sitz bath works for 5 minutes at set temperature.
- ▶ Unless Stop button pressed after Wash and Bidet function, dryer works automatically.



### 3 Press the DRY Button.

- ▶ Hot air indicator lamp will light on. (5 levels available)
- ▶ Selected function may be used for three (3) minutes.
- ▶ Dryer temperature is adjustable by pressing "+" and "-" buttons.
- ▶ Drying effect will be improved if you wipe the moisture lightly before operating the drying function.



### 4 Press the STOP Button.

- ▶ Selected functions stop.
- ▶ Press "STOP" on the side control panel for 3 seconds to turn off the unit.



### 5 MASSAGE Wash

- ▶ When Pressing the MASSAGE button, nozzle location will be changed back and forth to wash the wider range.
- ▶ When pressing the CHILD button during the operation of MASSAGE, the moving distance can be adjusted within 5 steps.

Massage

### 6 PULSE Wash

- ▶ When the pressing PULSE button during the operation of WASH, BIDET and POWER WASH, water pressure will repeat + / - level for smooth pulsating wash.

Pulse

### 7 Water Pressure Control

- ▶ Pressing + / - button enables the control of water pressure.
- ▶ When any foreign material blocks the water pipe filter, it may cause the low water pressure. Regularly check it for its stable use.



Power ctrl



### 8 Nozzle Position Control

- ▶ Nozzle position can be controlled by pressing ▲ / ▼.



Position ctrl



Consult your doctor before using Power Wash function in situations of anal disease/surgery.

# 07. How to Use the Product

## Basic Operation Method

### 9 CHILD Function

- ▶ For child use, press the CHILD button first (Child lamp will light on), nozzle position, water pressure and seat temp. will be adjusted.
- ▶ Nozzle moves forward more than adult wash.
- ▶ Water pressure is weaker than adult wash.
- ▶ When CHILD mode is activating, seat temperature will be one step lower than usual.

Child

### 10 Seat Temperature Control

- ▶ When pressing the SEAT TEMP. CONTROL button, the temperature of seat can be controlled within the range of room temperature, Low/Mid/High

Seat Temp

### 11 WATER TEMP CONTROL

- ▶ When pressing the WATER TEMP. CONTROL button, the temperature of water can be controlled within the range of room temperature, Low/Mid/High

Water Temp

### 12 ENERGY SAVING Function

- ▶ Automatic Energy Saving Function
  - When pressing the button once, it enters into automatic energy saving mode. (Yellow LED lamp lights on)
  - When seat is not occupied, the seat will be heated at minimum heating temperature.
  - When sitting on the seat to use, it turns to the pre-designated temperature; when getting out of the seat, it returns to the automatic energy saving mode.
- ▶ Learning Energy Saving Function
  - When pressing the button twice, it enters into the learning energy saving mode. (Green LED lamp lights on)
  - Learning energy saving enables MICOM to detect the time frame used by users and keeps the memory for next 5 days. It releases the energy saving function 15 minutes in advance at each time frame and keeps the pre-designated temperature for an hour.
  - After an hour, the unit enters the energy saving mode.
- ▶ When pressing the button three times, the energy saving mode will be released.

\* This product adopts the instant water heating method, and does not consume the electricity to operate the water heater while not used.

### 13 Deodorizing function

- ▶ When sitting on the seat, automatic deodorizing function starts.
- ▶ Speed of deodorizing fan can be controlled. (refer to the User setting facilities, P22)
- ▶ After leaving the seat, the deodorizing function will operate for 1 minute.

### 14 Nozzle Cleaning

- ▶ While not sitting on the seat, and pressing the WASH button on the side control panel for 3 seconds, the nozzle will move forward at its maximum distance so that the user can clean it easily. (it will return after 2 minutes)
- ▶ When pressing STOP button, the nozzle will return and operate self-cleaning operation.




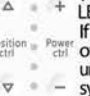
Longer than  
3 seconds



# 08. User Settings

## 8-1. User setting with the remote control

● : Seat Switch 'Off' Status   ○ : Seat Switch 'On' Status   ◐ : Regardless of On/Off

No	Function	Seat Status	Switch Operation	Description	Initial Status																				
1	Selecting the speed of deodorizing fan	◐	 While pressing the "STOP", press "ENERGY SAVING" for longer than 3 sec.	<table border="1"> <thead> <tr> <th colspan="2">Water Temp (LED)</th> <th colspan="2">Speed of Deodorizing Fan</th> </tr> <tr> <th>●</th> <th>○</th> <th>Seated</th> <th>Unseated</th> </tr> </thead> <tbody> <tr> <td>OFF</td> <td>OFF</td> <td>ON</td> <td>OFF</td> </tr> <tr> <td>OFF</td> <td>ON</td> <td>ON</td> <td>Low speed</td> </tr> <tr> <td>ON</td> <td>ON</td> <td>ON</td> <td>High speed</td> </tr> </tbody> </table>	Water Temp (LED)		Speed of Deodorizing Fan		●	○	Seated	Unseated	OFF	OFF	ON	OFF	OFF	ON	ON	Low speed	ON	ON	ON	High speed	High speed in occupied mode. High speed in unoccupied mode.
Water Temp (LED)		Speed of Deodorizing Fan																							
●	○	Seated	Unseated																						
OFF	OFF	ON	OFF																						
OFF	ON	ON	Low speed																						
ON	ON	ON	High speed																						
2	Remote control ID setting	◐	 Press "MESSAGE" for longer than 5 sec.  Change the ID by pressing "+" or "-", and press "STOP" to set the ID	 ID can be chosen from 1 ~ 5. Number of blinking LED means ID number. If main unit is powered off and on again, ID of main unit will be reset as 1. Before use, synchronize the IDs of main unit and remote control. Default ID is 1.																					
	Remote control ID change	◐	If batteries of remote control changed, set the ID again as it is shown above.	If batteries changed or ID changed (not 1), plug out the main unit for longer than 3 sec and plug in again. Main unit ID will be synchronized with ID of remote control automatically.																					

## 8-2. Extra functions with side control panel

● : Seat Switch 'Off' Status   ○ : Seat Switch 'On' Status   ◐ : Regardless of On/Off

No	Function	Seat Status	Switch Operation	Description
1	Nozzle cleaning	●	Press "WASH" for longer than 3 sec.	Nozzle will move forward for cleaning.
			Press "STOP"	Nozzle will retract and clean itself.
2	Power off	●	Press "STOP" for 3 sec.	Press one of "STOP", "WASH", or "BIDET" to power on.
3	Initialization	●	Press "STOP" for longer than 5 sec.	All setting will be initialized.

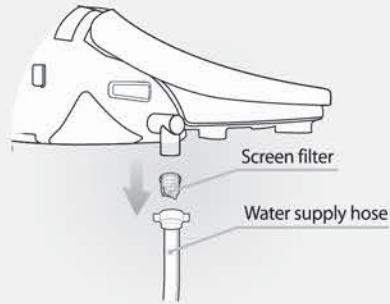
dib



# 09. Maintenance & Cleaning

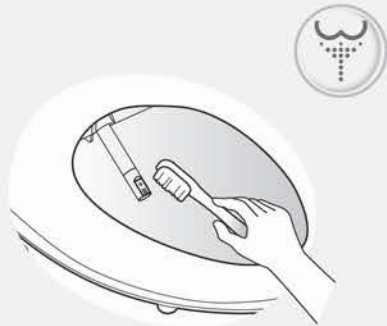
## Cleaning of Water pipe filter

- 1 Close the water feed valve by turning it clockwise.
- 2 Disconnect the water supply hose. Take the screen filter out and clean it with soft brush. (e.g. toothbrush)
- 3 After cleaning, place it back. Then connect the water supply hose.
- 4 Open the water feed valve by turning it anti-clockwise.



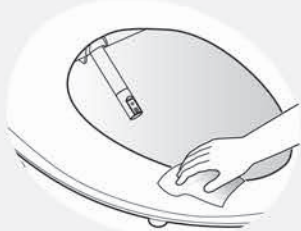
## Cleaning of Nozzle

- 1 Press "WASH" (on the unit's side control panel) for longer than 3 seconds, and then the nozzle will move forward and stop (for 2 minutes).
- 2 Clean the nozzle with an unused toothbrush, etc., and Press "STOP" (on the unit's side control panel) then it will return to the original place for self cleaning.



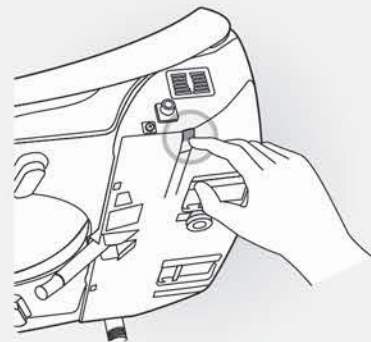
## Cleaning of Bidet Body

- 1 Exterior surface of bidet is made of plastic material, which may be damaged by scrubber, chemicals, etc.
- 2 Wipe the surface with a soft cloth wet and squeezed completely. Don't spray water directly onto the surface with the bath-use shower device.
- 3 Clean the body after removing the power plug from the outlet. Be sure no water splash to the power plug or outlet.
- 4 Don't touch the power outlet with wet hand. Risk of electric shock.



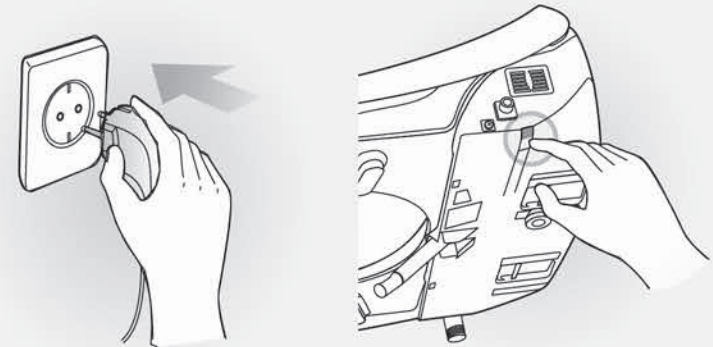
## Drainage of Hot Water Tank

- 1 Remove the power plug from the outlet.
- 2 Close the water feed valve by turning it anti-clockwise.
- 3 Press the button on the side of main body.



## Maintenance during winter season

**When bidet seat is not used for an extended period of time, either;**  
Leave unit plugged in and turned on **OR** Unplugged and drain the unit.



## Do not throw away

We are committed to protection the environment. Please help us by disposing of this product in a responsible way when it reaches the end of its service life, to prevent certain substances contained in electric and electronic products from harming public health or the environment. The symbol means that the products must not be thrown away with other household waste: at the end of its service life, it must be taken at no charge to you to the waste-collection centers provided for the purpose by the authorities in your country. Or to be distributor from whom you purchase a new product that is equivalent to or that performs the same functions as this product. This latter option may not be available in some countries.



# 10. Before requesting repair

※ Please check the following points before requesting the repair of the product.

Signs to occur	Matters to be checked
Completely out of operation	<ul style="list-style-type: none"> <li>• Check if the power plug is not connected.</li> <li>• Check the power failure.</li> </ul>
Water does not spray out	<ul style="list-style-type: none"> <li>• Check if the water supply is suspended.</li> <li>• Check if water feed valve is locked</li> <li>• Check if nozzle is blocked by foreign material</li> <li>• Check if connection hose is bent</li> </ul>
Water pressure is low	<ul style="list-style-type: none"> <li>• Check if water pipe filter is blocked by foreign material.</li> <li>• Check if the water pressure is set at too low level</li> </ul>
Water is not warm enough	<ul style="list-style-type: none"> <li>• Check if its temperature is set at 'Off' or 'Low'.</li> </ul>
Seat is not warm enough	<ul style="list-style-type: none"> <li>• Check if its temperature is set at 'Off' or 'Low'</li> </ul>

## Self-Diagnosis Table

※ When any abnormal phenomenon occurs, please refer to the following table, and inform the exact status at the time of requesting A/S service.

No	Self-Diagnosis Phenomenon	Way of Indication
1	Air pump motor disconnected or not inserted	WASH, BIDET, POWER WASH are out of operation
2	Air pump motor short-circuited	
3	Deodorizing motor: Check the cycle of rotation at low speed	
4	Stoppage of motor due to the over-current of deodorization motor	Buzzer sounds. Abnormal condition is differently indicated by symptoms
5	Heat stops in case of low speed rotation of drying motor	
6	Heater and drying motor simultaneously stop in case of the over-current of drying motor.	

# 11. Product Specifications

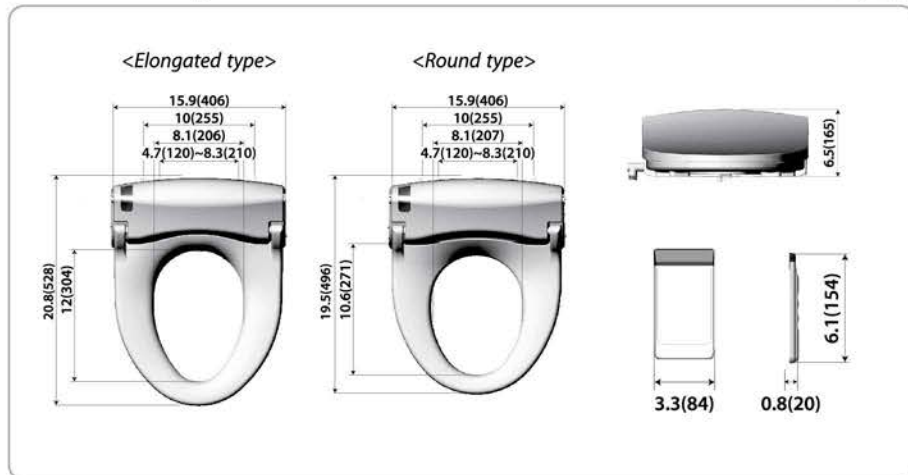
Item	DIB-C750R		
Rated Voltage	AC 220V~240V, 50Hz		
Max. Consumption Power	1670W		
Power Cord Length	1.8M		
Water Feed Method	Directly Connected to Water Pipe		
Water Pressure	0.7~7.5kgf/cm <sup>2</sup>		
Wash	Feeding Volume	Wash	0.7ℓ/min
		Bidet	0.7ℓ/min
		Power Wash	0.6ℓ/min
	Water Pressure Control	5-Step Control	
	Temp. Control	Room Temp. ~ 38°C	
	Heater Capa.	1600W	
	Safety Device	Temp. Fuse, Thermo Switch	
Heated Seat	Temp. Control	Room Temp. ~ 42°C	
	Heater Capa.	55W	
	Safety Device	Temp. Fuse	
Dry	Temp. Control	Room Temp. ~ 50°C	
	Heater Capa.	250W	
	Safety Device	Temp. Fuse, Bi-metal	
Deodorization	Catalytic Deodorization		
Product Dimension ※ inch(mm)	Elongated	15.9"(406) x 20.8"(528) x 6.5"(165)	
	Round	15.9"(406) x 19.5"(496) x 6.5"(165)	
Product Weight /Gross weight ※ lb(kg)	Elongated	10.8 (4.9kg) / 17.4 (7.9kg)	
	Round	10.6 (4.8kg) / 17.2 (7.8kg)	

# 12. Comparison Chart

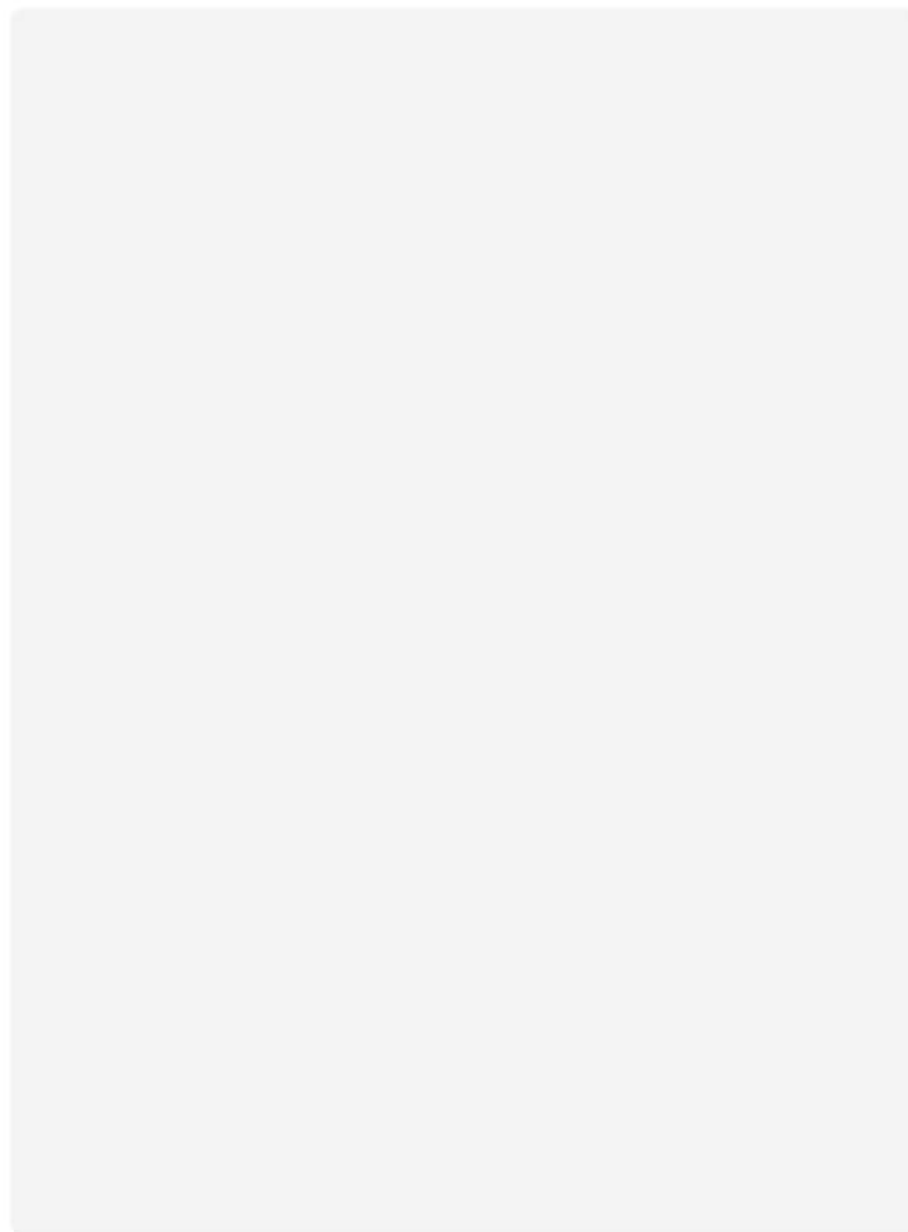
	Division	DIB-C750R
Wash/Dry Function	Wash	●
	Bidet	●
	Power Wash	●
	Dry	●
	Deodorization	●
	Bubble Wash	●
	Continuous Warm Water Supply	●
Convenient /Comfort Function	Automatic Energy Saving	●
	Learning Energy Saving	●
	Massage	●
	Pulse	●
	Remote control unit	●
	Warm Seat	●
	Soft Closing Lid & Seat	●
	Detachable Main Body	●
	Child	●
	Stainless steel nozzle	●

## ■ Dimension diagrams

inch (mm)



# 13. Memo



## - WARRANTY -

1. We hereby guarantee the product as follow in accordance with the regulation of consumer damage compensation.
2. In case of failure of the product, please inform the distributor where you purchased the product.
3. Product Warranty will be effective for one year from date of purchase.

Product Name		Warranty Period
Model Name		One (1) year since the date purchased
Date Purchased		
SER. No.		
Customer's Address		Name
		Tel.No
Distributor's Address		Name
		Tel.No.

### Regarding Product Warranty Regulation...

1. We will repair the product at free of charge in case it was failed under the normal operating condition in accordance with the user's guide during the warranty period.
2. Although it is within the warranty period, we will charge the repair service fee etc. (repair + product + travel expense) if it falls under the following cases.

### Voiding warranty

1. Defects occurred from the user's careless handling
2. Defects occurred from the usage with incorrect power voltage (E.g., 220V was used to the 110V product.)
3. Defects occurred from the improper repair done by the person other than our service engineer.
4. Defects occurred from Force Majeure (fire, salt, flood, etc.)
5. Failure or damage due to the drop, etc. (user's mis-handling) during the operation after installed
6. Defect occurred from the interior modification at user's discretion
7. In case the life cycle of the part expired

Mail, email or fax the warranty form to:

**YOUR LOCAL DEALER FIRST where you bought this appliance**

If your dealer is unable to assist you

**LS Daewon**  
LIVING SOLUTION

94, Robot land-ro 249beon-gil, Seo-gu, Incheon, Korea  
[www.lsdawon.co.kr](http://www.lsdawon.co.kr)