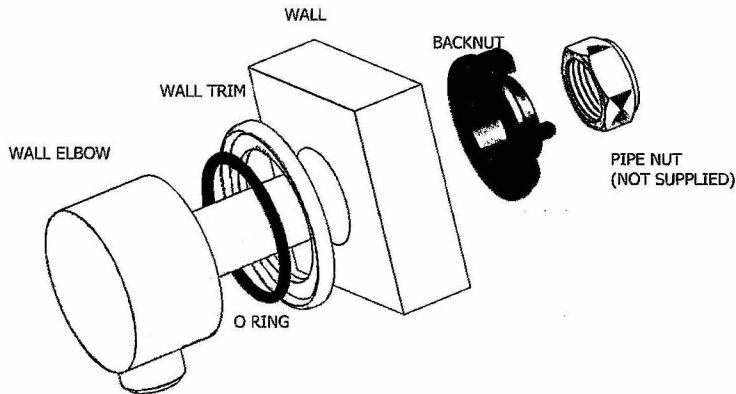


# Elbow for concealed Showers

## Installation guide & Aftercare

**It is recommended that work be carried out by and advice obtained from a qualified plumber**



**The product must be fitted in compliance with the Water Bylaw Regulations.**

**FITTING NEW PRODUCT** (sealant may be used during installation)

1. Before installation flush out pipes, ensure to turn off water supply following flushing of pipes and prior to installation.
2. The pipe connecting the wall union to shower and the hole for the elbow tail to fit through should be prepared in the desired location.
3. If using copper pipe, the pipe end should not be cut until the elbow has been received, so that the correct length pipe can be determined.
4. To do this place the elbow to the wall, with the wall trim (if this is to be used dependant on wall thickness) fitted between the elbow and the wall, then cut pipe to correct length, if compression fitting ensure that the pipe length allows for a minimum of 10mm pipe to be inserted into the tail.
5. If copper pipes are used, these should be bracketed.
6. If plastic pipes or flexi-tails are being used, then the back nut must be fitted to hold the elbow into position.
7. Remove the elbow from the wall, place the 'o ring into the groove at the rear of the elbow, then fit trim (if applicable)
8. Place the tail through the hole in the wall and screw on back nut until secure, then connect pipe nut with sealing method dependant on installers method of connection and tighten until water tight.
9. When fully tightened, turn on water supply and check for leaks.

THIS PRODUCT MUST BE USED IN SUCH A WAY AS TO ENSURE ANY WATER FLOW IS DIRECTED TOWARD A SUITABLE LOCATION AND CANNOT CAUSE WATER DAMAGE.

### **AFTERCARE**

Whilst modern plating techniques are used in the manufacture of this product, the surface will be affected if cleaned incorrectly.

Surfaces should be maintained using a clean damp cloth, no abrasive agents or materials should be used or come into contact with the surface finish, or this will invalidate your guarantee.